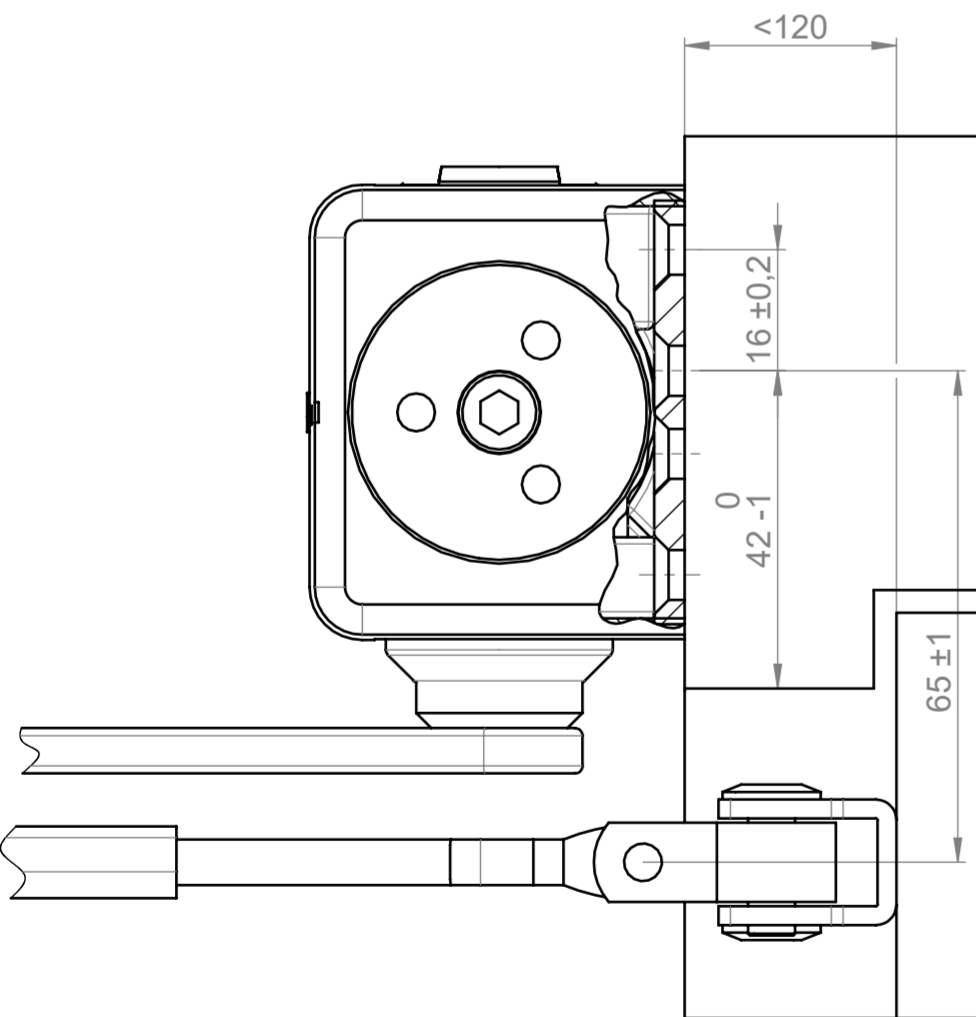
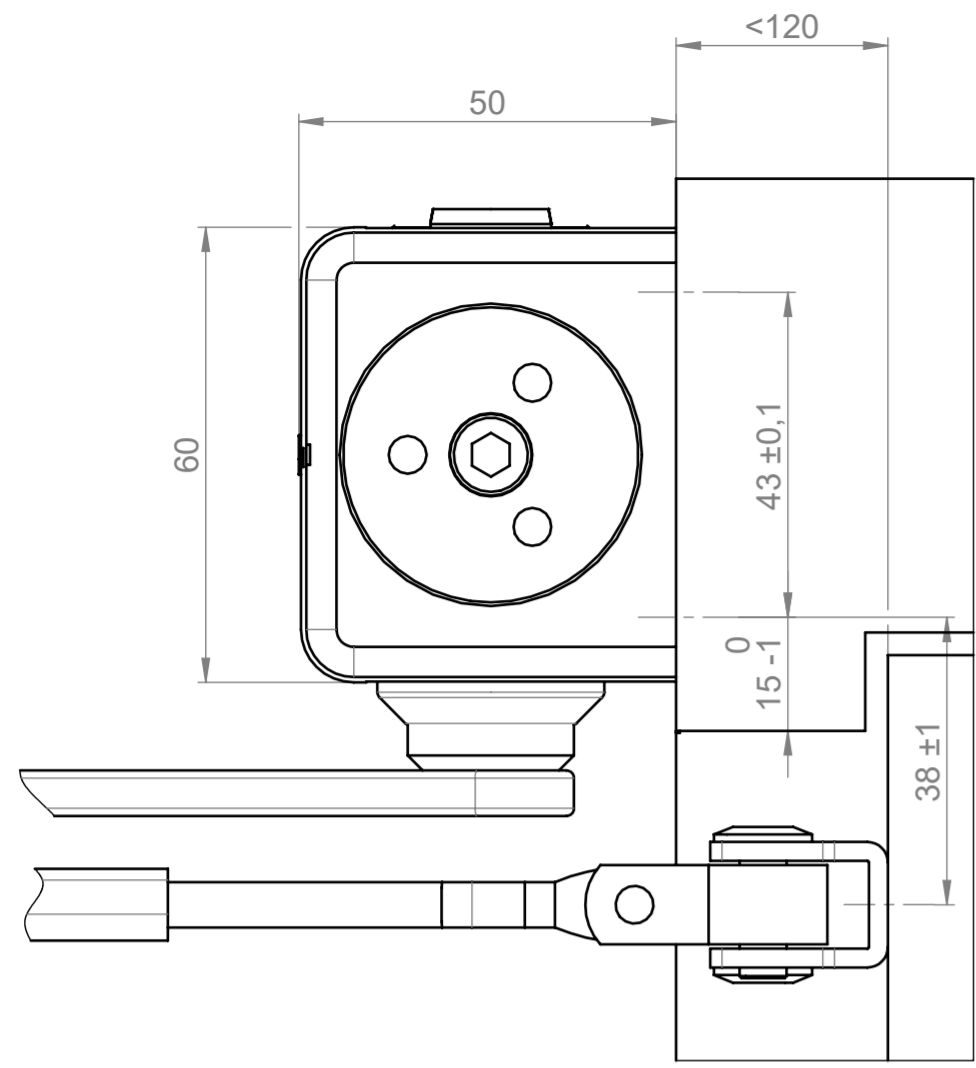
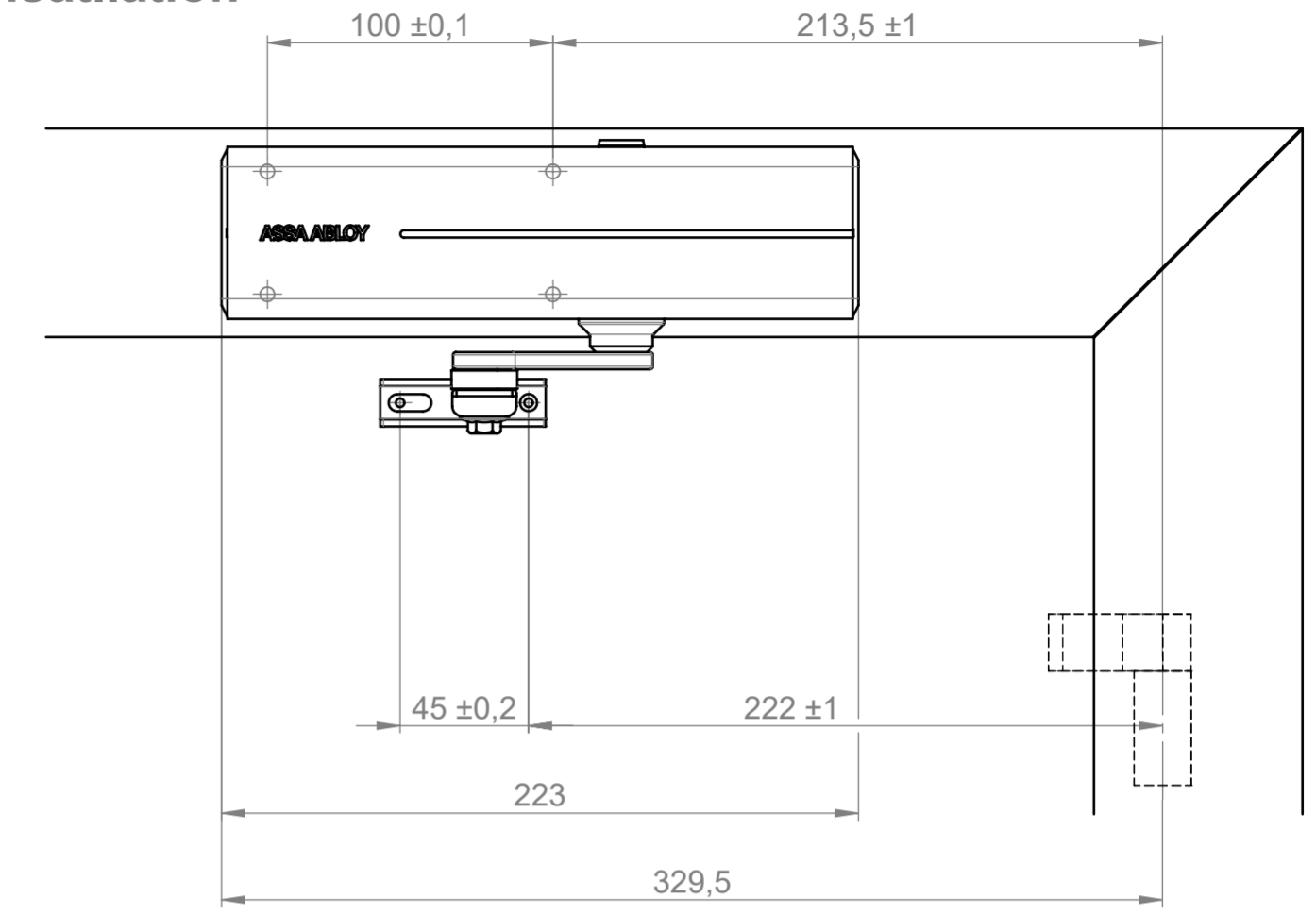
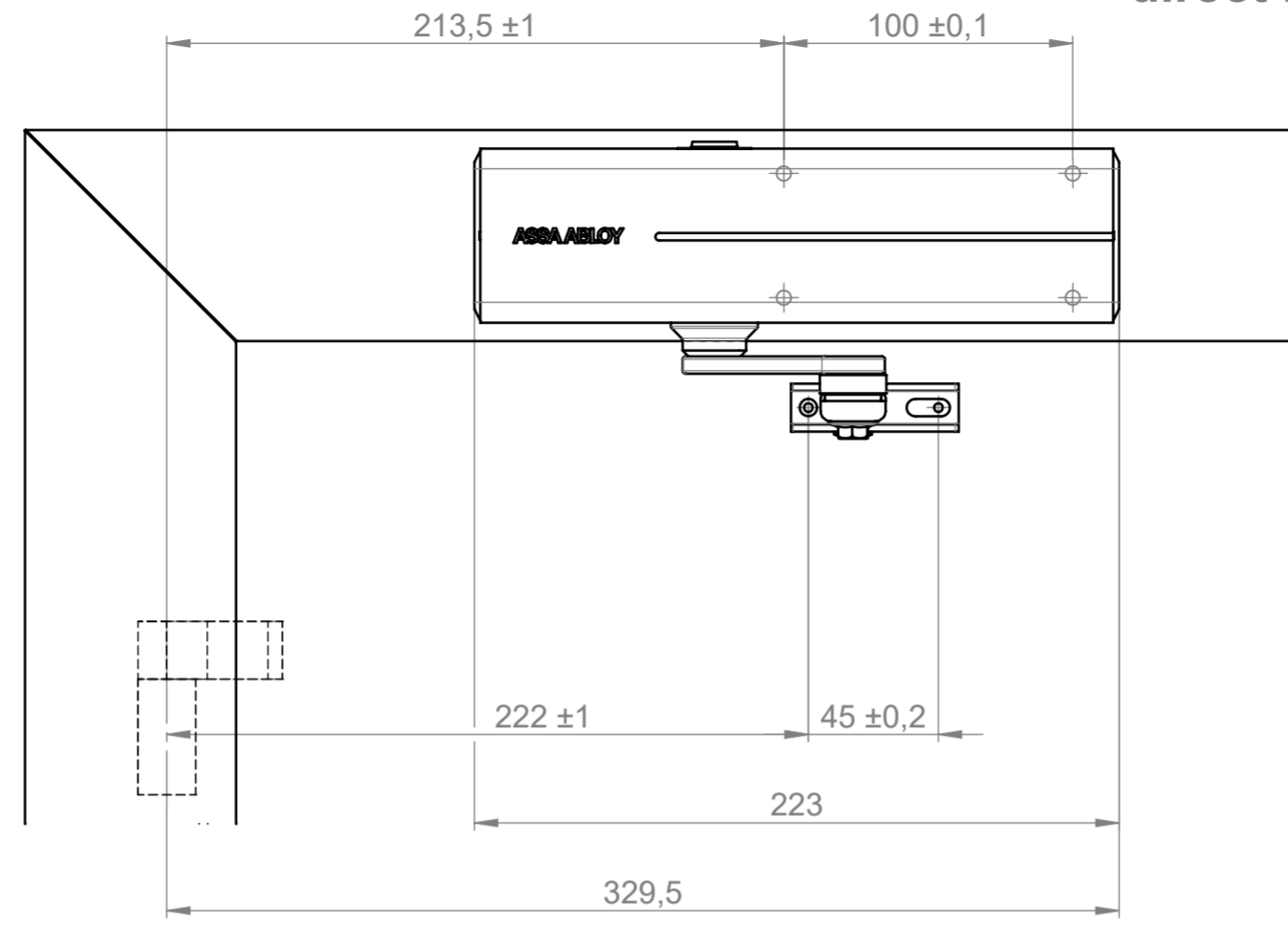


This work is copyright and no part may be reproduced, by any process, nor may any other exclusive right be exercised without the permission of ASSA ABLOY.



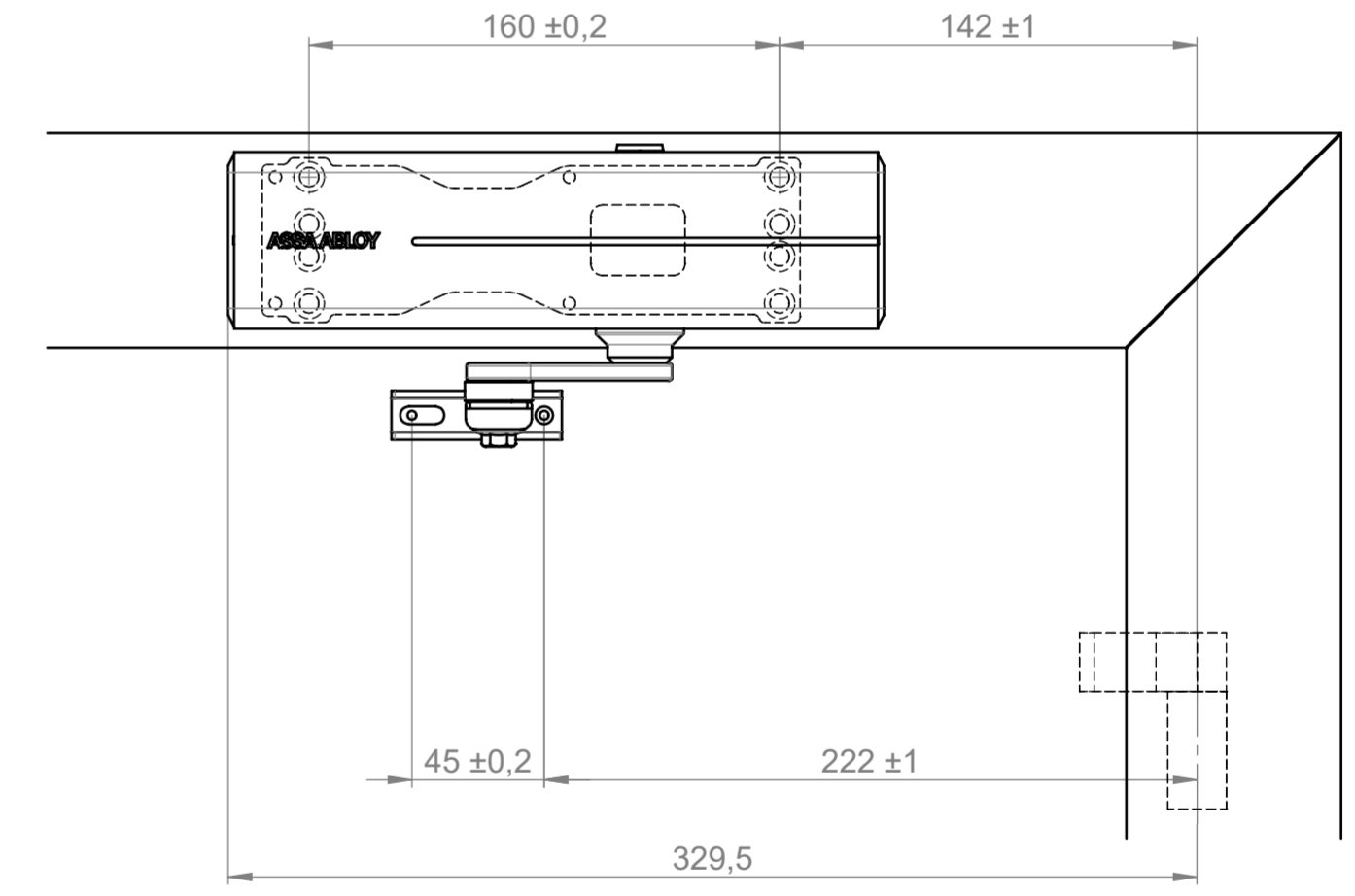
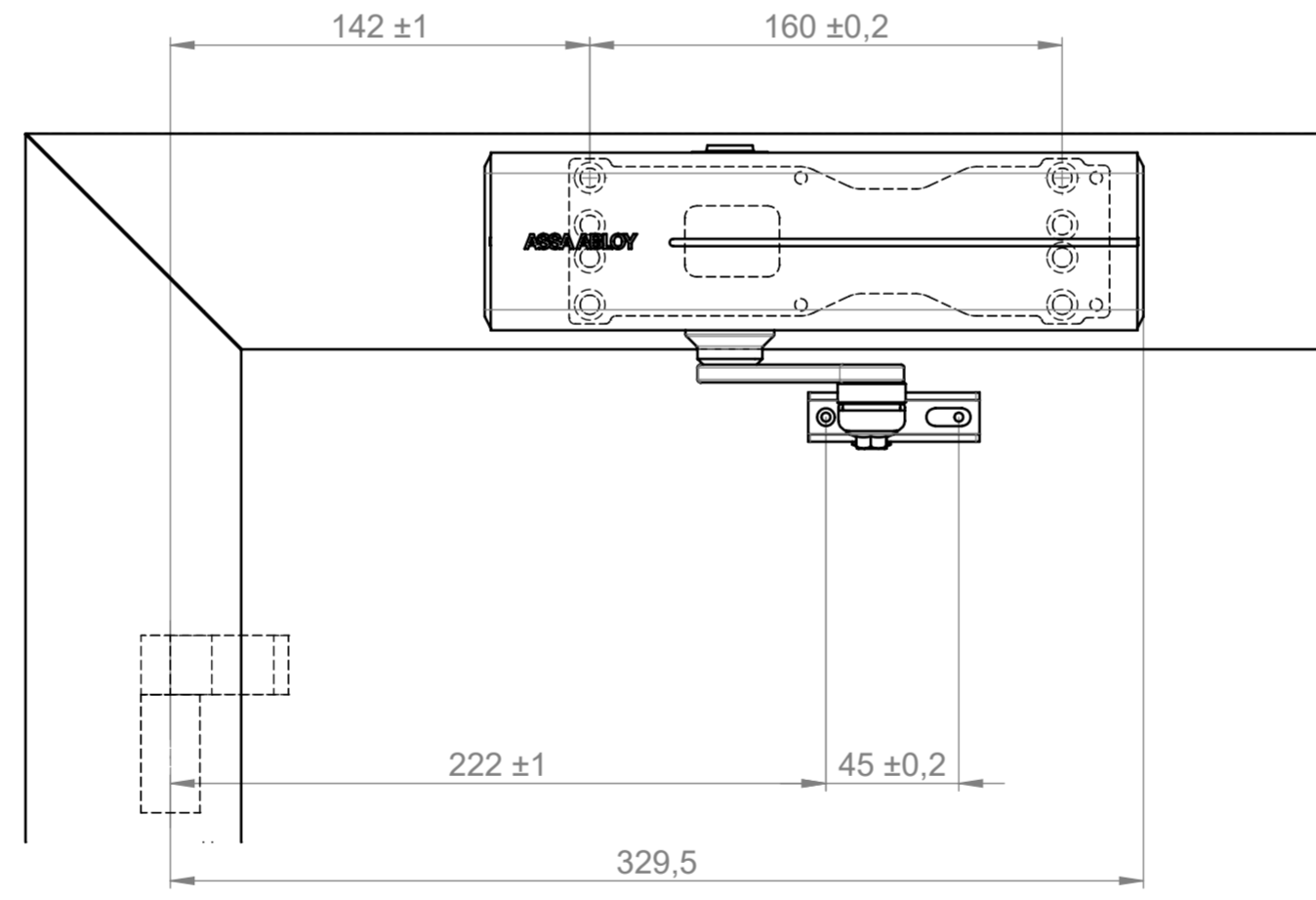
Direktbefestigung direct insatllation



DIN rechts
right hand door

DIN links
left hand door

Befestigung mit Montageplatte installation with mounting plate



DIN rechts
right hand door

DIN links
left hand door

State	Description	Date	Name					
Inspection Dimension				Name local language				
				DC200 Kopfmontage				
Surface:				Material:		General tolerance:		
Volume:	Weight:	Surface area:	Created (YYYY-MM-DD):	Designed by:	Drawn by:	Scale:	Projection:	
0019669.92 mm³	479.96 gram	1153384.88 mm²	2018-08-30	andsau	andsau	1:2.5 (A2)		
ASSA ABLOY ASSA ABLOY Sicherheitstechnik GmbH				Door closer accessory				Alternate ID
				frame installation opposite hinge side				DC200-1010
				Kopfmontage Bandgegenseite		Document ID	Rev.:	
						D001005582-001	1	