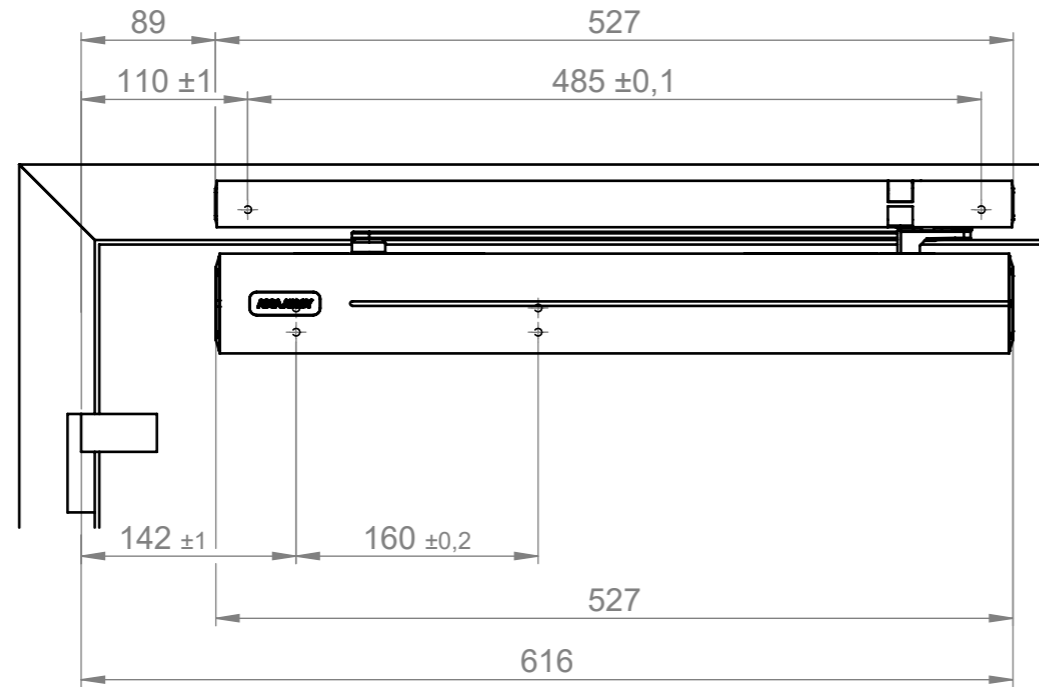
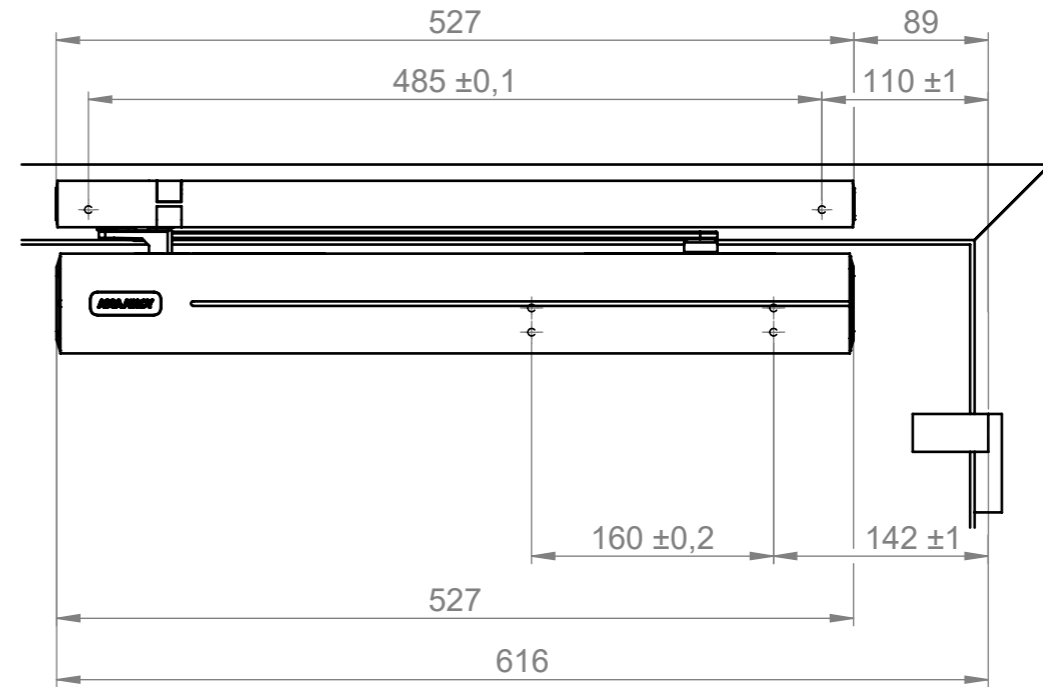


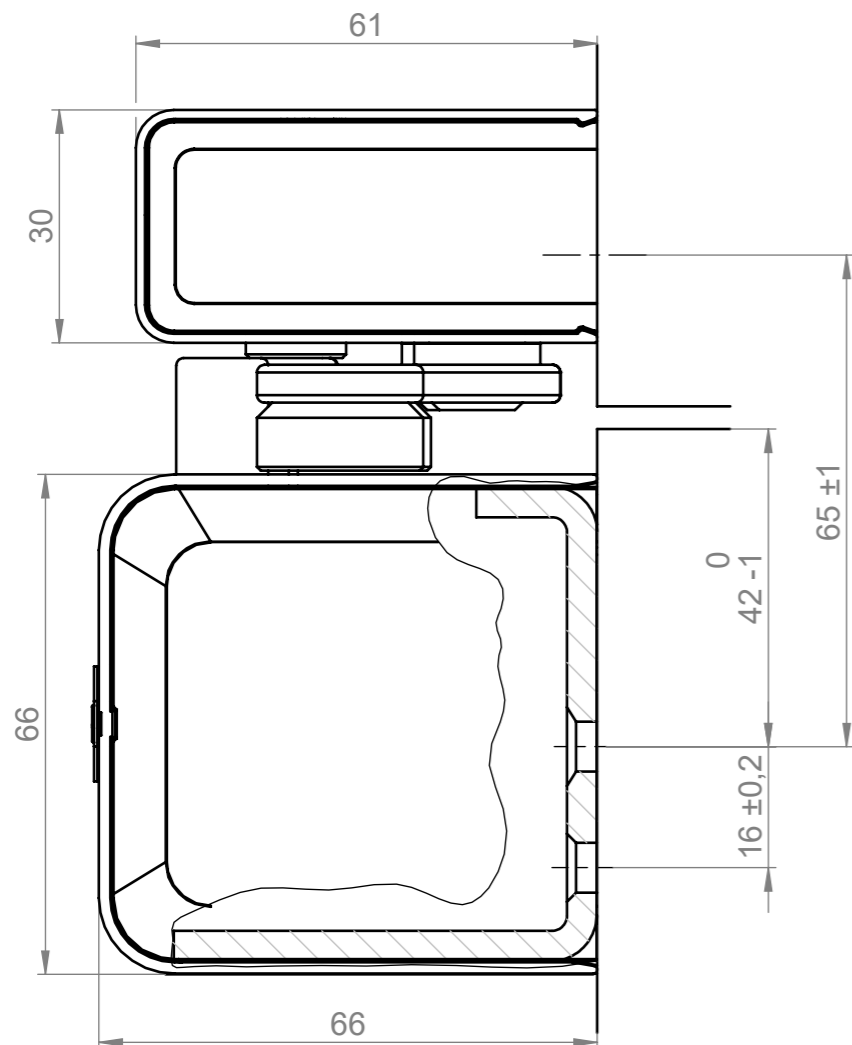
This work is copyright and no part may be reproduced, by any process, nor may any other exclusive right be exercised without the permission of ASSA ABLOY.

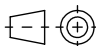


DIN links  
left hand door



DIN rechts  
right hand door



State	Description	Date	Name				
	 Inspection Dimension			Name local language		DC700G - CM	
Surface:			Material:			General tolerance: ISO 8015 ISO 2768-mH	
Volume:	Weight:	Surface area:	Created (YYYY-MM-DD):	Designed by:	Drawn by:	Scale:	Projection:
			2017-02-22	andsau	andsau	1:5 (A3)	
<b>ASSA ABLOY</b> ASSA ABLOY Sicherheitstechnik GmbH			Door closer accessory standard installation hinge side Normalmontage Bandseite			Alternate ID	Rev.:
						Document ID	
						<b>101.11-00-1000</b>	<b>2</b>
						<b>D000610313-001</b>	