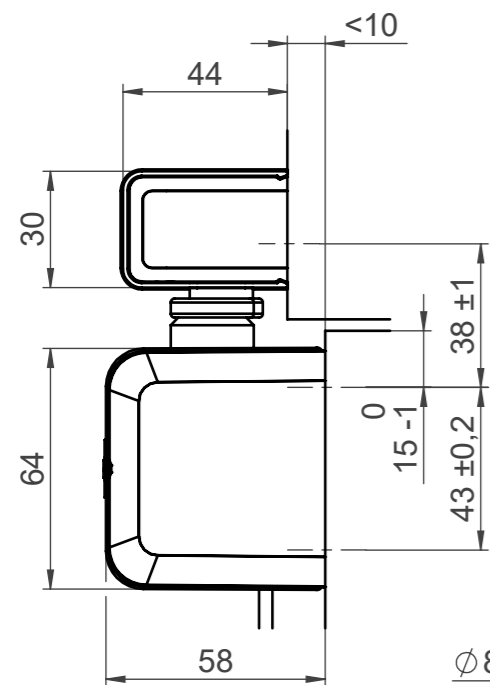
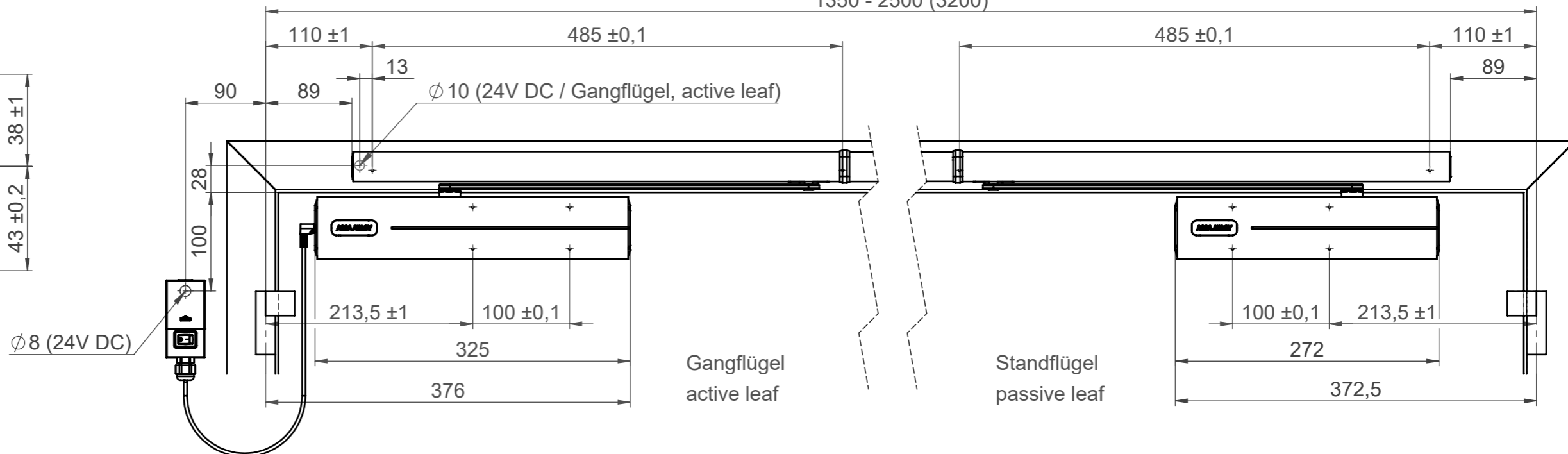


This work is copyright and no part may be reproduced, by any process, nor may any other exclusive right be exercised without the permission of ASSA ABLOY.



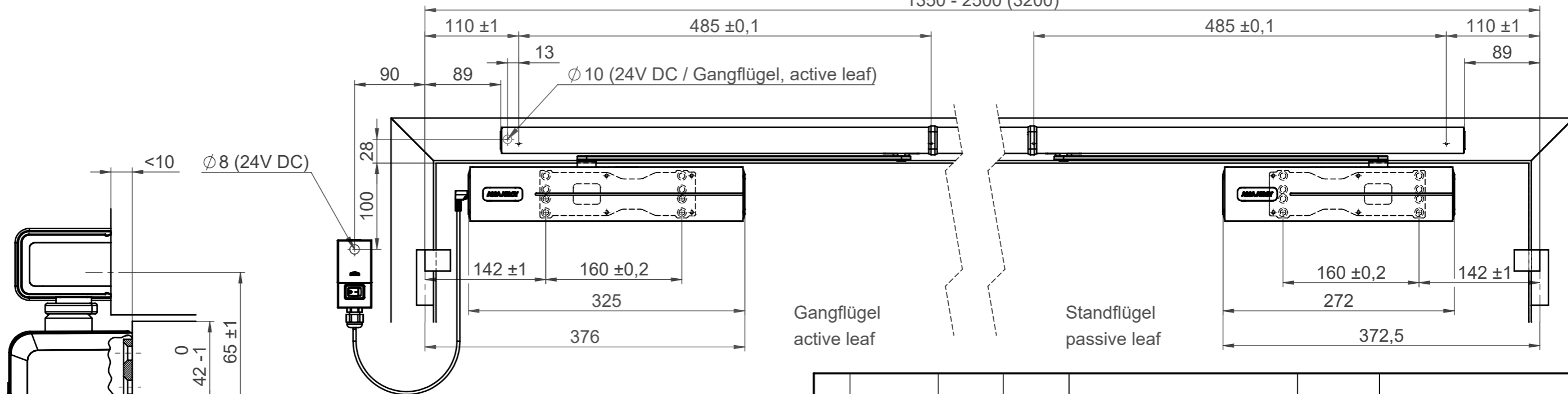
**Direktbefestigung
direct installation**

1350 - 2500 (3200)



**Befestigung mit Montageplatte
installation with mounting plate**

1350 - 2500 (3200)



State	Description	Date	Name				
Inspection Dimension				Name local language		DC700G-CO-FM	
Surface:				Material:		General tolerance:	
Volume:	Weight:	Surface area:	Created (YYYY-MM-DD):	Designed by:	Drawn by:	Scale:	Projection:
mm ³	gram	mm ²	2018-09-12	andsau	andsau	1:5 (A3)	
ASSA ABLOY ASSA ABLOY Sicherheitstechnik GmbH			Door closer accessory			Alternate ID	
			Standard installation hinge side			DC700G-CO-FM-1000	
			Normalmontage Bandseite			Document ID	Rev.:
						D001007325-001	1