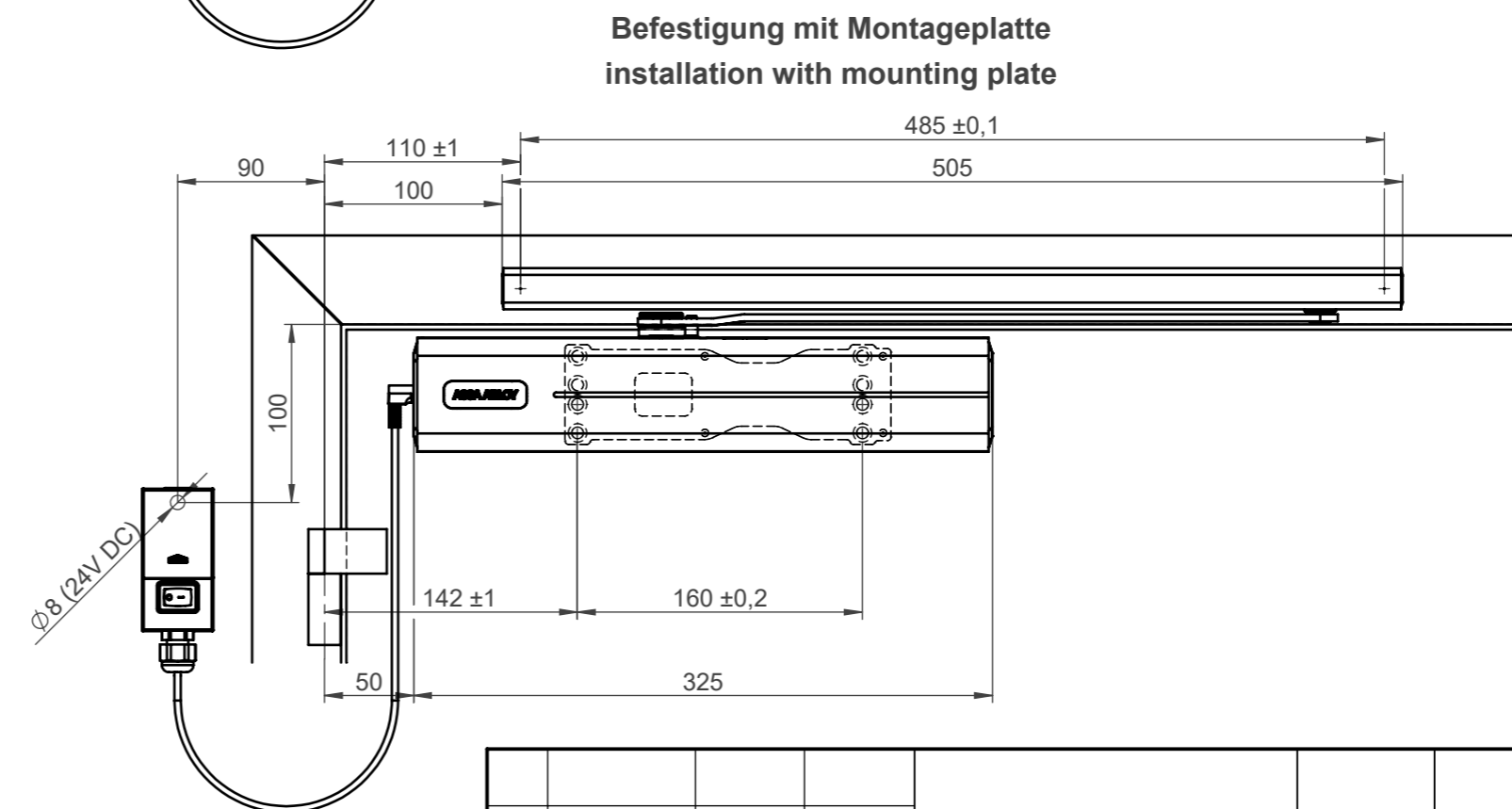
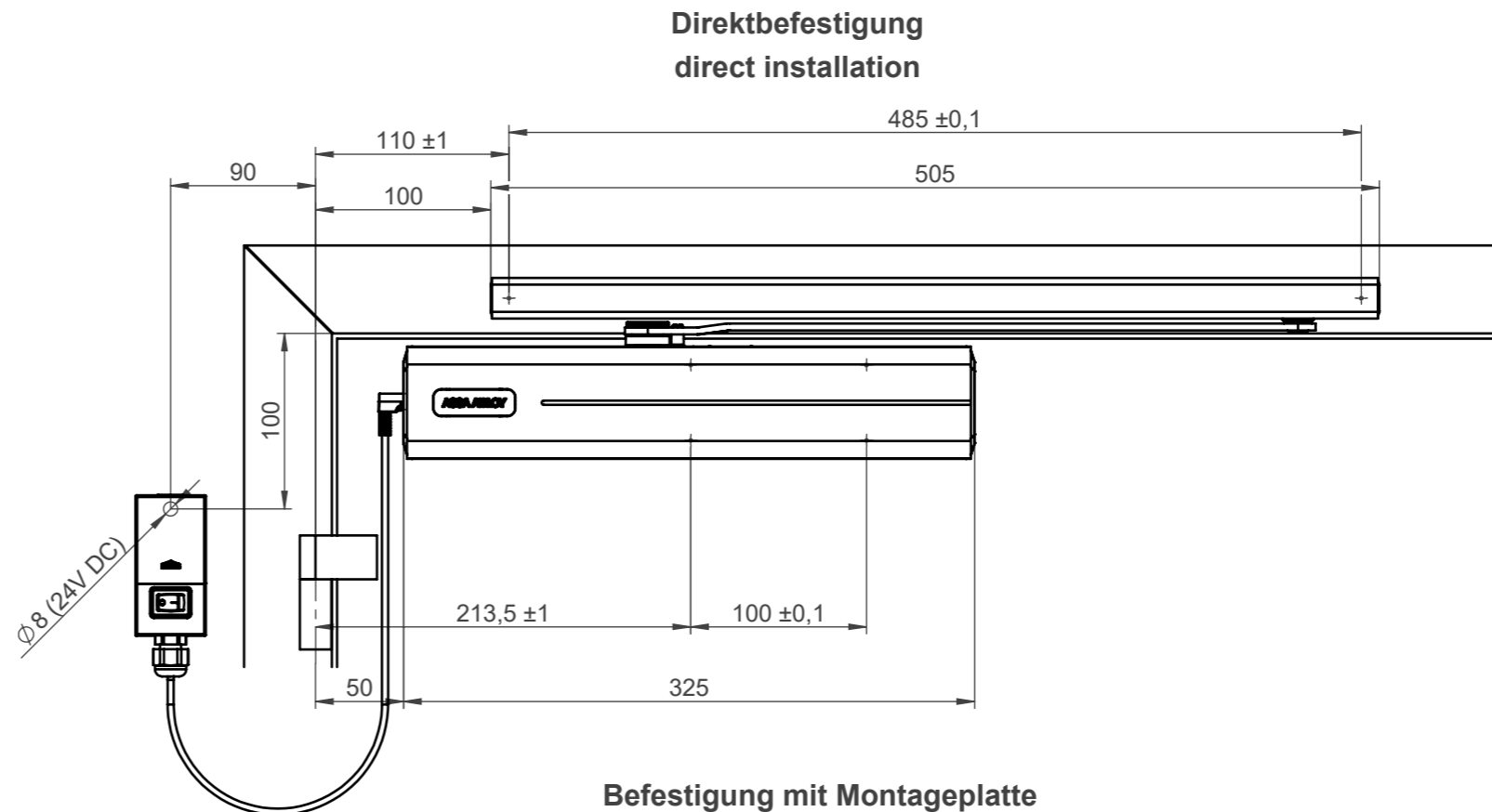
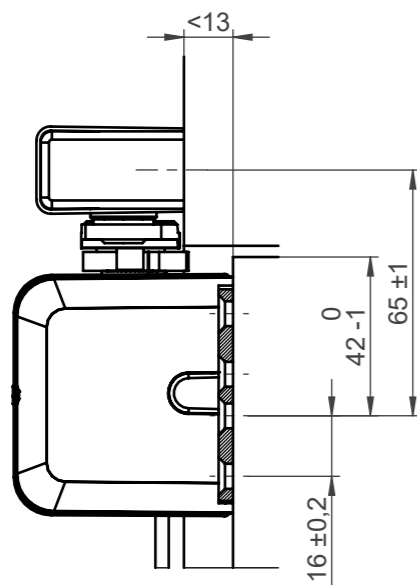
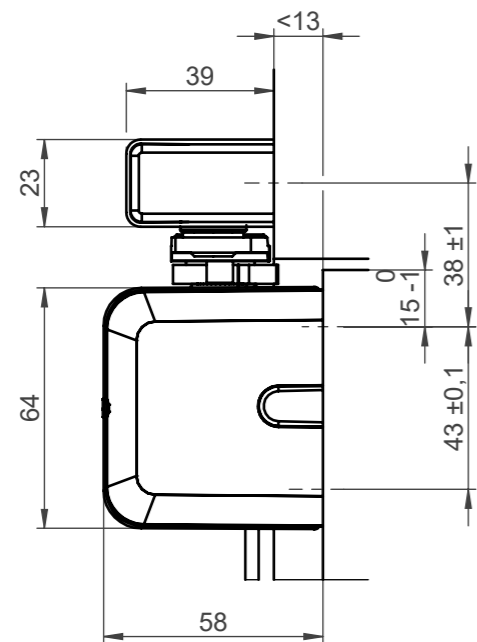


This work is copyright and no part may be reproduced, by any process, nor may any other exclusive right be exercised without the permission of ASSA ABLOY.



| State | Description | Date | Name | | | | |
|------------------------------------|---------------|---------------------------|-----------------------|----------------------------------|-----------|--------------------|-------------|
| Inspection Dimension | | | | Name local language | | DC700G-FMB | |
| Surface: | | | | Material: | | General tolerance: | |
| Volume: | Weight: | Surface area: | Created (YYYY-MM-DD): | Designed by: | Drawn by: | Scale: | Projection: |
| 3112064.81 mm ³ | 21951.42 gram | 886131.90 mm ² | 2018-09-06 | andsau | andsau | 1:4 (A3) | |
| ASSA ABLOY | | | | Door closer accessory | | Alternate ID | |
| ASSA ABLOY Sicherheitstechnik GmbH | | | | standard installation hinge side | | DC700G-FMB-1000 | |
| | | | | Normalmontage Bandseite | | Document ID | |
| | | | | | | D001006588-001 | |
| | | | | | | Rev.: 1 | |