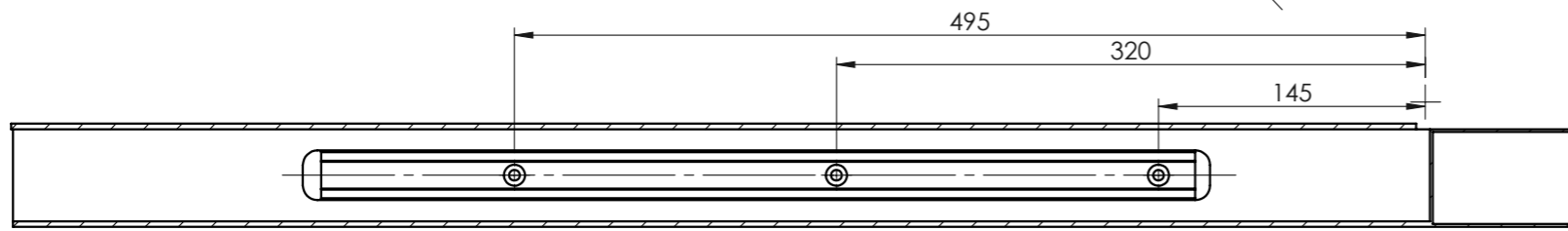
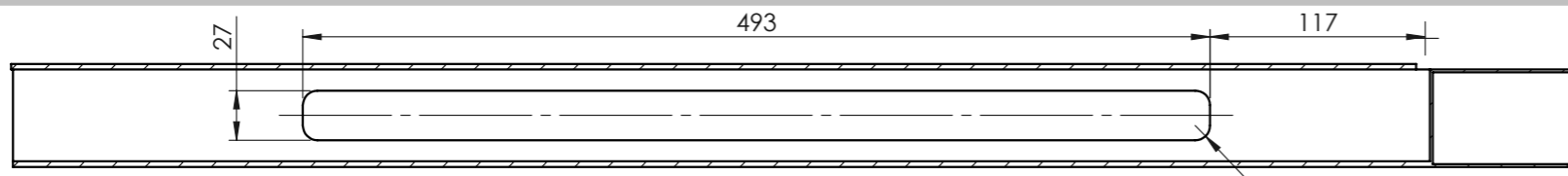
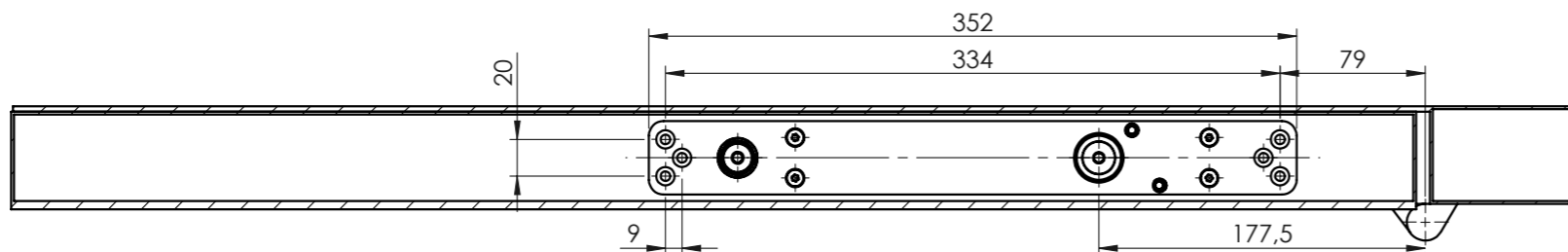
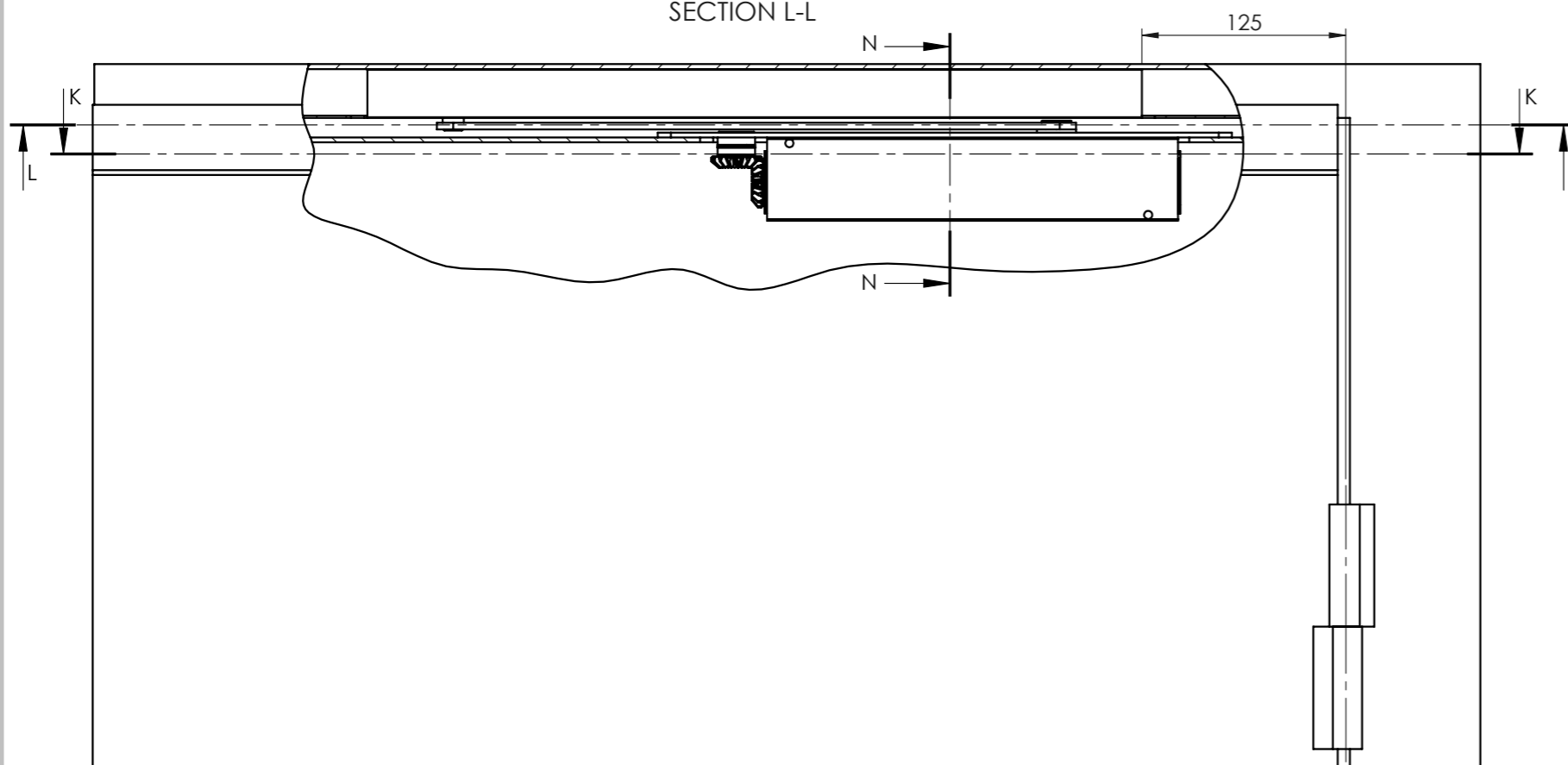


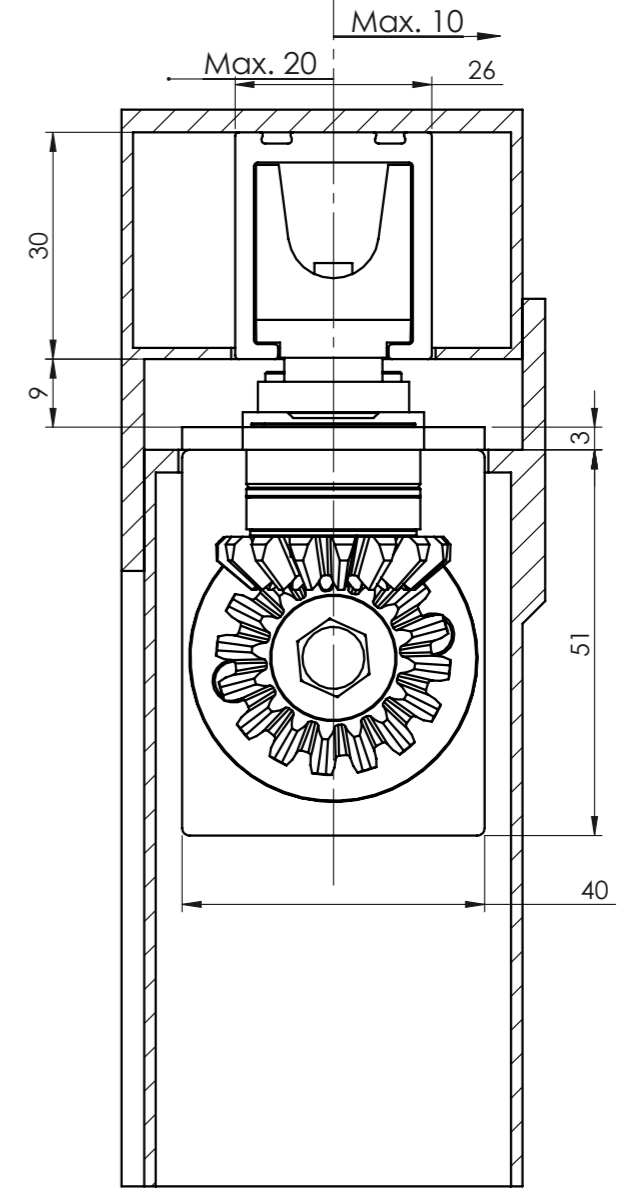
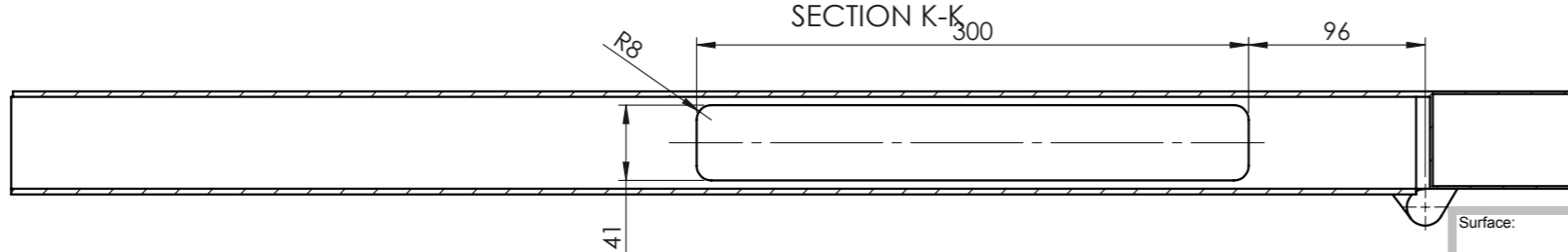
This document is our property and shall not without our permission be altered, copied, used for manufacturing or communicated to any other person or company.



SECTION L-L



SECTION K-K



SECTION N-N

Surface:		Material:			General tolerance:		
Volume:	Weight:	Surface area:	created: 17.9.2014	designed by: TommiHa	changed by:	Scale: 1:4(A3)	Projection:
ASSA ABLOY		DC860+G880 Metal Door					
		Document ID					
						Rev.:	