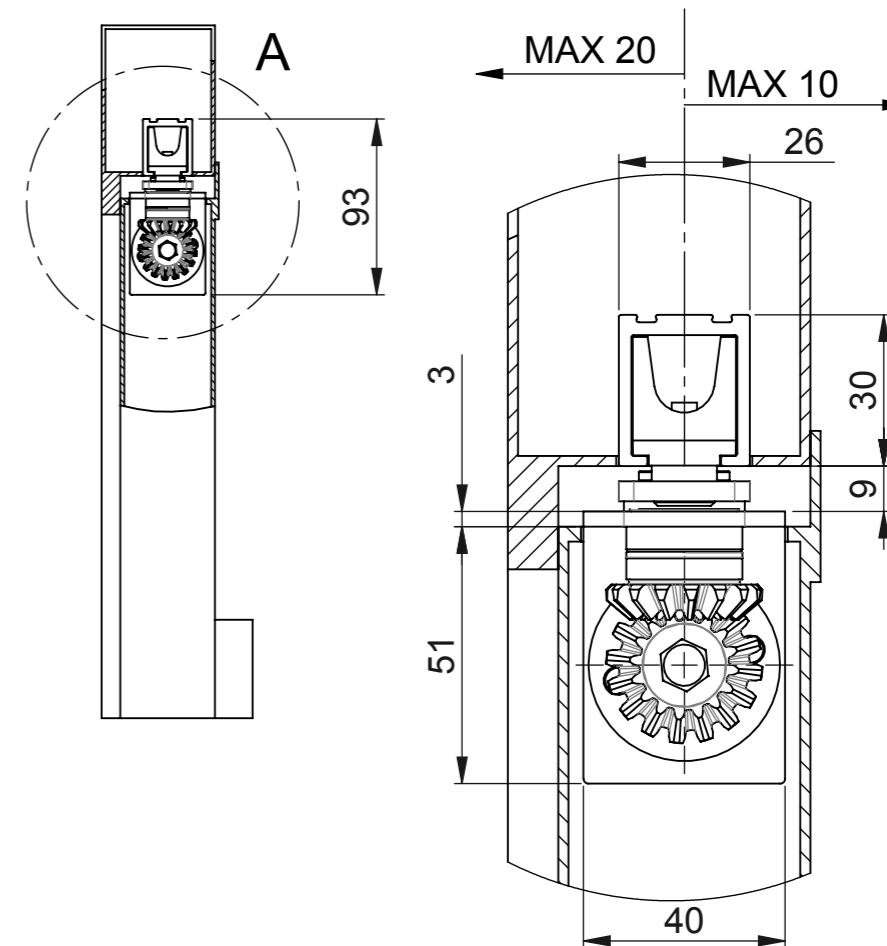
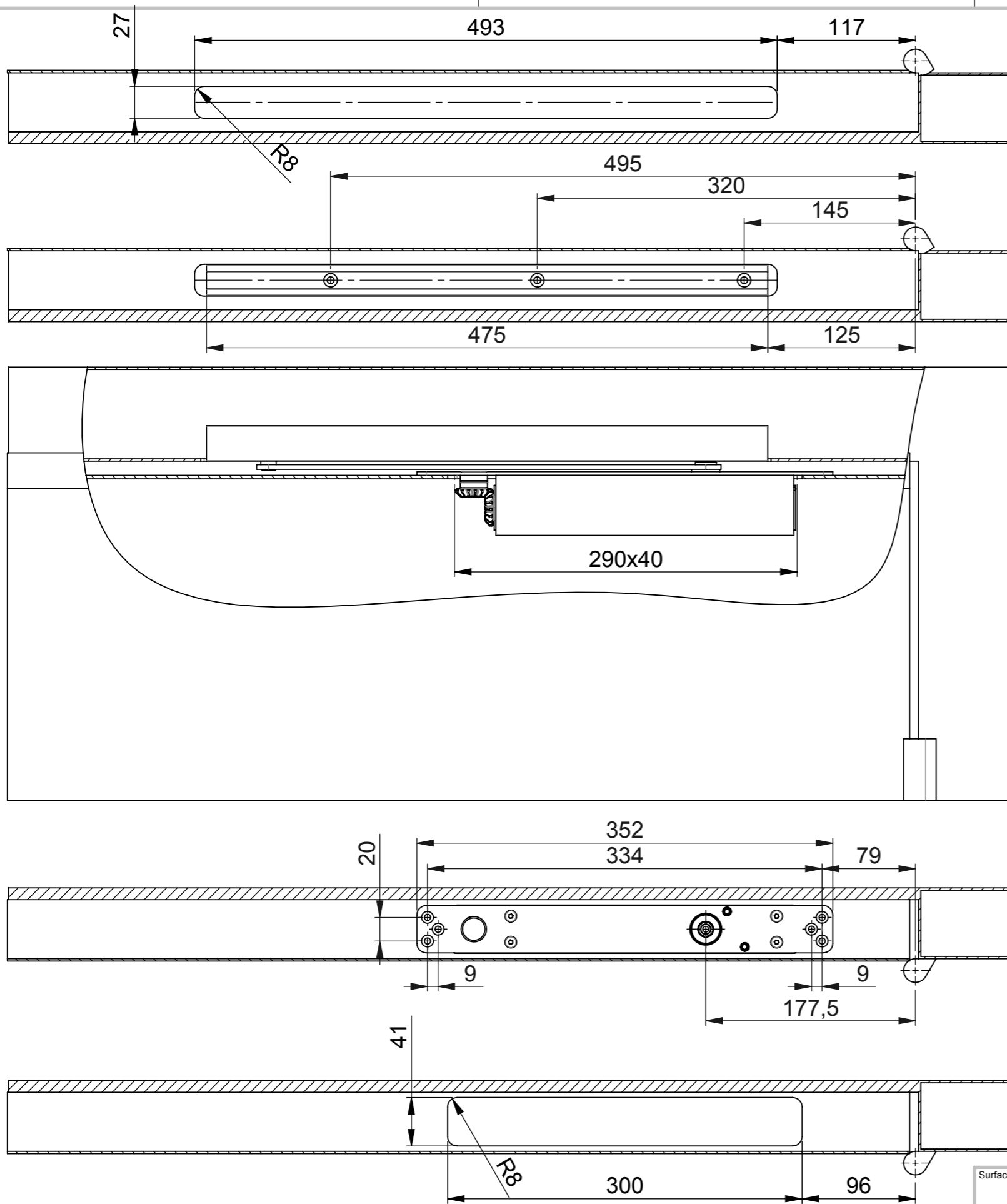


This document is our property and shall not without our permission be altered, copied, used for manufacturing or communicated to any other person or company.



Detail A

Surface:			Material:			General tolerance:			
Volume:	Weight:	Surface area:	created:	designed by:	changed by:	Scale:	Projection:		
			1.10.2014	TommiHa		1:4 (A3)			
<b>ASSA ABLOY</b>						<b>DC860+G880</b> Metal Doors (Door installation) Without fixing plates			Alternate ID
									Document ID