

# Electric strikes from effeff



Electric strike model 351M.80

  
ASSA ABLOY

Innovative motorised lock with fail-unlocked function

Experience a safer  
and more open world

## Model 351M.80

# For secure and extremely quiet locking and unlocking

### Extremely quiet:

The electric strike 351M unlocks and locks almost silently. Door leaf recognition takes place with a contact-free sensor integrated in the door strike which recognises the lock counterpart. As a result, there is no wear and no noise with the swinging of the door leaf. When the door is opened, the bolt is pressed back against the lock counterpart and remains in this position.

The lock counterpart is only 25 mm wide and is universally applicable for all door leaf thicknesses.

A striking edge on the door leaf and/or door frame is not necessary. Therefore, no closing forces are exerted on the door from the electric strike.

### How they work:

The prism-shaped bolt is released when de-energised. When the door is opened, the bolt is pressed back against the lock counterpart and remains in this position, allowing passage through the door.

If the door is closed and the strike is energised, the motorised bolt extends and locks the door after a delay of approximately 1 second.

The multi-voltage range of the 351M spans from 12 to 48 V DC.

A voltage interruption results in immediate unlocking.

### Certified security:

Thanks to outstanding pre-load characteristics, the electric strike also unlocks with heavy pressure on the door.

The electric strike has been tested and approved in accordance with the French directive NFS 61937.

The 351M.80 is also suitable for use as a supplementary locking system in fire doors.

### Easy installation:

Installation is position-independent and can also be concealed. As a result, the electric strike can be easily adapted to the respective installation situation.

An additional monitoring contact is not necessary. The contact-free sensor integrated in the electric strike recognises the striking plate installed on the door leaf. Together with the extended bolt, the "locked" status is recognised.

With the sensor's sensing distance of 2 to 4.5 mm between the striking plate and the electric strike, secure function of the monitoring is also ensured with door or installation tolerances. The supplied washer components for the striking plate enable precise adjustment of the sensing distance.

The product assortment includes the appropriate surface cover model A09 for surface mounting. Therefore, the electric strike is also suitable for mounting on glass doors.

In addition, the electric strike 351M is compatible with the earlier model 351U, because the outside dimensions are identical. Therefore replacement is simple and problem-free.

The model 351M is a fail-unlocked strike for use in single-acting, swing, or carousel doors.



### Extremely quiet:

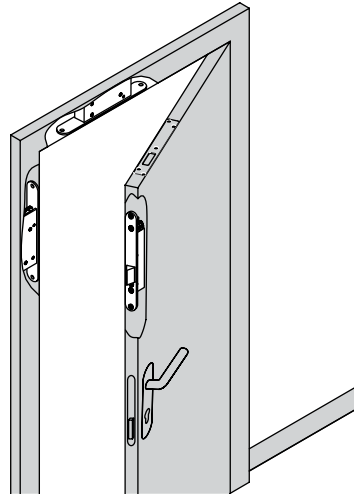
The electric strike 351M unlocks and locks almost silently. Door leaf recognition takes place with an integrated contact-free sensor which recognises the lock counterpart. As a result, there is no wear and no noise when the door leaf swings.

# Model 351M.80

## Information for installation

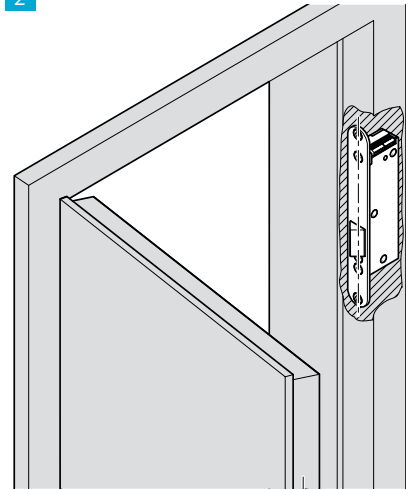
1 Possible mounting positions

1

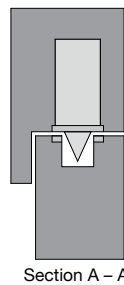
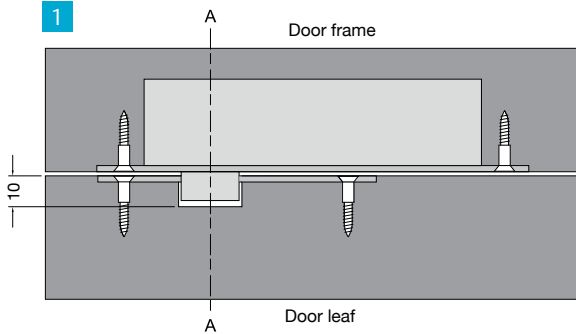


2 Installation in the door frame

2



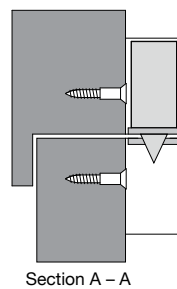
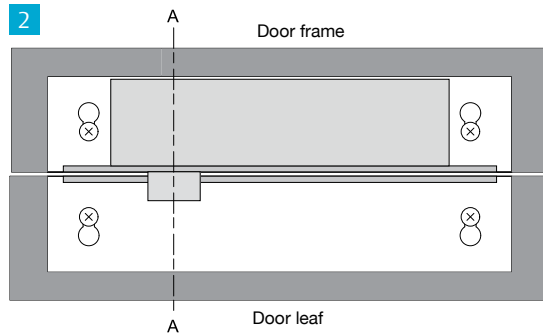
1



**1 Installation in the frame profile**

The figure shows the installed electric strike and the lock counterpart with a closed door. The bolt extends into the lock counterpart and the door is locked. In order for the bolt to securely lock the door, it must be unimpeded when extending into the lock counterpart. The necessary position of the door leaf for this purpose must be realised with the main lock and/or with a door closer.

2



**2 Surface mounting in a stainless steel casing**

With surface mounting the electric strike and the lock counterpart are each installed in an installation casing. The installation casing with the electric strike can be fastened on the front of the door frame and the installation casing with the lock counterpart can be fastened on the door leaf.

# Electric Strike Model 351M.80

## Technical specifications



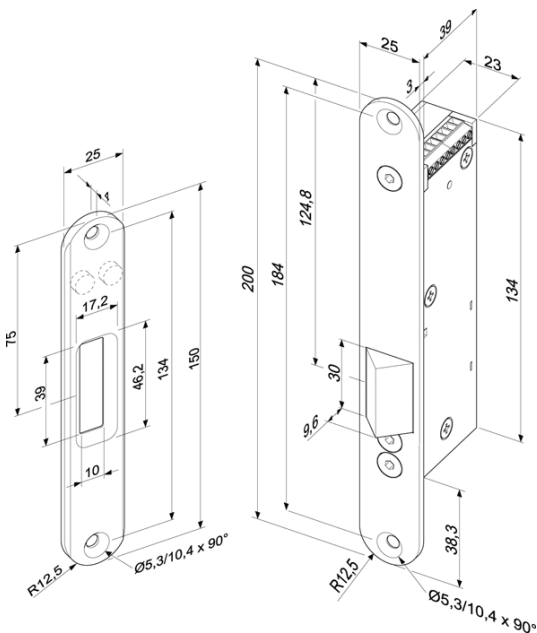
### Swing door strike 351M.80

The electric swing door strike 351M.80 is equipped with an innovative quiet electric motorised drive and is designed to lock single-acting, swing, and carousel doors. It is suitable for horizontal or vertical installation in the door frame or in the door leaf. The door contact and the armature contact are designed as potential-free switching contacts. The door contact is switched magnetically when the door is closed. The armature contact can be used to monitor locking status.

The 351M.80 swing door electric strike works according to the fail-safe unlocked operating principle. If the power is shut off or the power fails, the door can be opened. If power is switched on and the door is in the "door closed" position for at least 1 second, the bolt is automatically extended into locking position by the electric motor. The door remains locked as long as an electric current flows.

### Overview of advantages

- Very quiet locking and unlocking, silent during permanent release
- Suitable for swing and single-acting doors, interlocking doors, special doors
- Suitable as a supplementary locking system for installation in fire doors
- Vertical and horizontal universal installation position in the door frame or in the door leaf
- Holding force of 5000 N
- Safe unlocking under pre-load of up to 5000 N
- 12V DC to 48V DC multi-voltage, controlled DC voltage
- Integrated monitoring contact and armature contact
- Compatible with Model 351U



### Electrical data

	12 V DC	24 V DC	48 V DC
Operating voltage	± 10 %	± 10 %	± 10 %
Max. current consumption in continuous operation	480 mA	270 mA	150 mA
Max current consumption with motorised operation (approx. 1 s) 12 V DC	880 mA	520 mA	270 mA
Max. contact loading capacity of the armature contact	25 V / 500 m A		
Max. contact loading capacity of the door contact	25 V DC / 100 mA		

### Performance charac.

Diode (05)	•
Monitoring contact (RR)	•
Armature contact	•
Fail-locked	•
Fail-unlocked	•

### Technical specifications

Resistance to forced entry	5000 N
Housing material	Stainless steel
Operating temperature range	-15 °C to +50 °C
Bolt throw	10 mm
Installation position	Universal
Max. pre-load unlocking	5000 N
Height	200 mm
Width	25 mm
Depth	42 mm

### DIN directions

Universal	1
-----------	---

### Voltage

12V DC to 48V DC	N9
------------------	----

### Order No.

3 5 1 M . 8 0 - - - - \* \* 1

# Electric Strike Model 351M.80

## Accessories



### Surface-mounted casing for electric strike 351M.80

Technical specifications	
Dimensions	207 x 31 x 44.5 mm
Article / Feature	
Stainless steel; universal	- - - - - A 0 9 3 5 - 0 1



### Lock counterparts 351M

Article / Feature	Order No.
Stainless steel with 4 x 0.5 mm thick spacer plate, dim. 150 x 40 x 4 mm	3 5 1 M 4 0 - - - - - 0 0
Stainless steel with 4 x 0.5 mm thick spacer plate, dim. 150 x 44 x 4 mm	3 5 1 M 4 4 - - - - - 0 0
Stainless steel with 4 x 0.5 mm thick spacer plate, dim. 150 x 50 x 4 mm	3 5 1 M 5 0 - - - - - 0 0
Stainless steel with 4 x 0.5 mm thick spacer plate, dim. 150 x 54 x 4 mm	3 5 1 M 5 4 - - - - - 0 0
Stainless steel with 4 x 0.5 mm thick spacer plate, dim. 150 x 67 x 4 mm	3 5 1 M 6 7 - - - - - 0 0



### Dummy Component 351SET

Technical specifications	
Dimensions	200 x 25 x 42 mm
Article / Feature	
Stainless steel	3 5 1 S E T - - - - - 0 0

# Electric Strike Model 351M.80

## Accessories



### Power supply unit model 1003-12-1,25

There is a suitable power supply unit for each type of use. The individual power supply units stand out due to their constant output voltage during fluctuations in mains voltage and load alternation.

The 12 V power supply unit is suitable for installation in switch cabinets. It has current limiting on the output current with automatic restarting.

The rated voltage is 12 V DC.

Technical specifications	
Rated operating voltage	100-240 V AC
Rated current consumption	15 W
Rated output voltage	12 V DC
Output voltage	12 - 14 V
Continuous current consumption	Up to 1.25 A
Overload protection	Electronic
Installation	Top-hat rail; screw connection terminals
Operating temperature range	-20 °C to +50 °C
Housing dimensions (L x W x H)	92 x 35.5 x 68 mm
Casing colour	Grey, RAL 7035
Protection rating	IP 20
Insulation class	II
Certification	DIN EN 60950

Article / Feature	Order No.
12 V DC stabilised, 1.25 A, top-hat rail	1 0 0 3 - 1 2 - 1 , 2 5 - 1 0



### Power supply, model 1003-24-1

There is a suitable power supply unit for each type of use. The individual power supply units stand out due to their constant output voltage during fluctuations in mains voltage and load alternation.

The power supply unit can be installed in switch cabinets. It has current limiting on the output current with automatic restarting.

Technical specifications	
Rated operating voltage	100-240 V AC
Rated current consumption	24 W
Rated output voltage	24 V DC
Output voltage	24 - 28 V
Continuous current consumption	Up to 1 A
Overload protection	Electronic
Installation	Top-hat rail; screw connection terminals
Operating temperature range	-20 °C to +50 °C
Housing dimensions (L x W x H)	92 x 52.5 x 68 mm
Casing colour	Grey, RAL 7035
Protection rating	IP 20
Insulation class	II
Certification	DIN EN 60950

Article / Feature	Order No.
24 V DC regulated; 1 A; top-hat rail	1 0 0 3 - 2 4 - 1 - - - - 1 0



The ASSA ABLOY Group is the global leader in access solutions. Every day we help people feel safe, secure and experience a more open world.

**ASSA ABLOY**  
Opening Solutions

ASSA ABLOY  
Sicherheitstechnik GmbH  
Bildstockstraße 20  
72458 Albstadt  
GERMANY  
Tel. +49 7431 123-700  
Fax +49 7431 123 258  
albstadt@assaabloy.com  
www.assaabloyopeningsolutions.de