

# Electric strikes from effeff



ATP Rim-type strike  
MultiFix® A06

  
ASSA ABLOY

Experience a safer  
and more open world

## MultiFix model range

14UA06, 24UA06, 34UA06, 142UA06



### Strikes for special applications

#### „Surface mounting“

The new MultiFix rim-type strike combines design and functionality in one unique, patented unit.

The surface-mounted housing can be combined with existing effeff ATP door strikes renowned for their reliability.



### Strike for special applications

#### Panic door lock with horizontal push bar

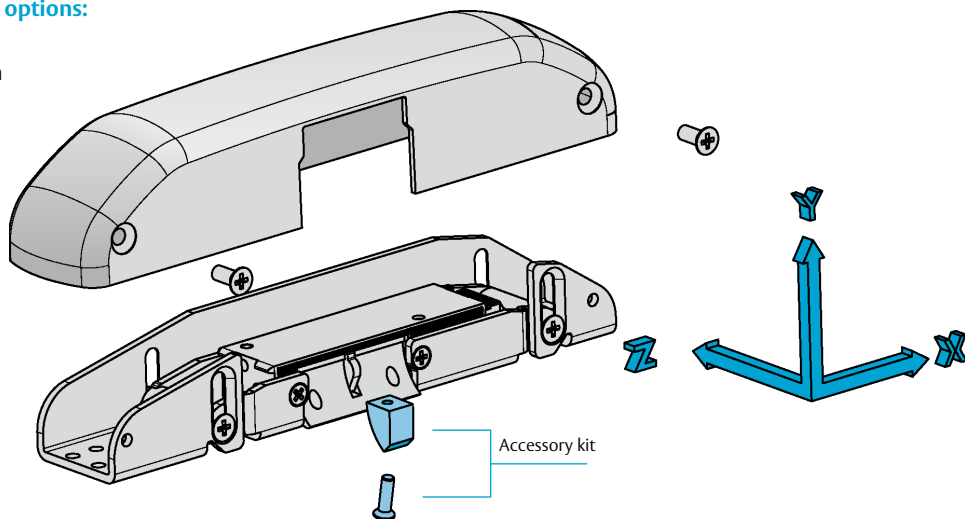
- Vertical and horizontal mounting possible
- For universal use – not handed
- Load and no-load version available
- Available with monitoring contact
- Available with locking function
- Three-dimensional adjustment (X:  $\pm 3$  mm / Y: 0-16 mm / Z:  $\pm 3$  mm) (see photo on right)
- Available with 12/24 V changeover switch and suppressor diode (e.g. for combination with access control system supplied by effeff)
- Housing colours: black, silver, white

# MultiFix model range

## Flexible in all dimensions

### Adjustment options:

- X:  $\pm 3$  mm
- Y: 0 - 16 mm
- Z:  $\pm 3$  mm



### Accessories

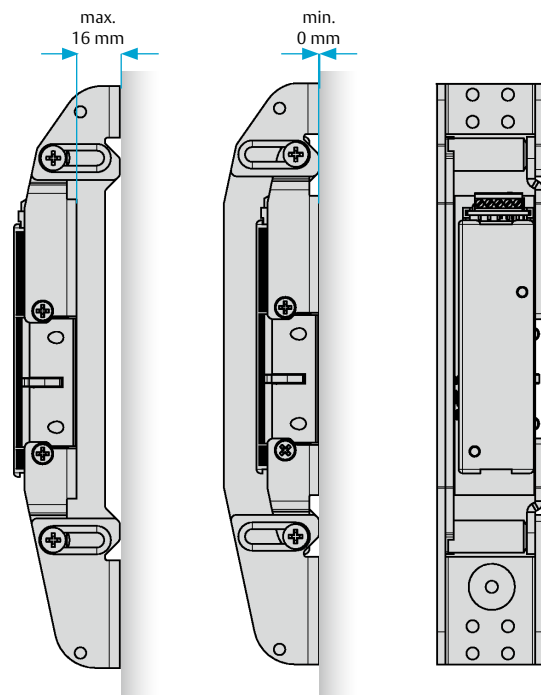
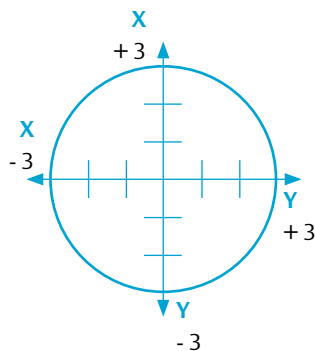
By using the accessory kit the latch bolt function can be added. A snib prevents the latch from being retracted when the door is closed. The accessory kit is required to for the installation of suitable push bars.

Order no. accessory kit

**SET-14U400080**

### Dimensions

The three-dimensional adjustability simplifies installation considerably and offers the option of subsequent adjustments thus covering all popular applications with minimal effort and without the necessity for alternative cover versions or spacers.



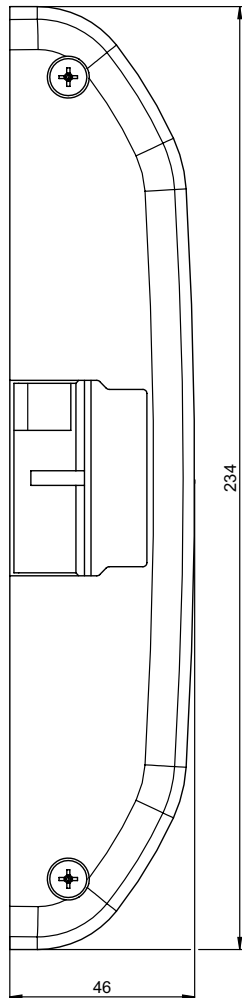
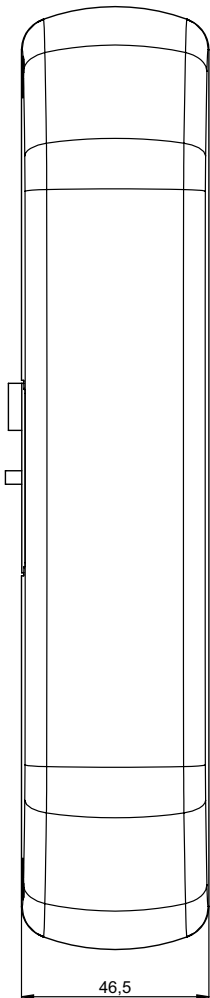
# MultiFix model range

## Technical data



### Electrical data at 20 °C

	Rated operating voltage Tolerance range	Nominal resistance in Ohm	AC consumption in mA	DC consumption in mA (50% residual ripple)	DC consumption in mA (stabilised)	Max. lock preload in N for AC	Max. lock preload in N for DC (50% residual ripple)	Max. lock preload in N for DC (stabilised)
12 V eE	± 1 V	57,5	130	190	210	50	20	10
24 V eE	± 2 V	230,0	70	100	105	50	20	10



### Technical data


Intrusion resistance (standard)	5000 N
Break-in resistance 142U400/142U460	6500 N
Operating temperature range	-15 °C bis +40 °C
Mounting unrestricted by location	yes

Overview order no.  
see page 5.

# Model overview

## All variants at a glance

Order numbers	12/24 V changeover switch	Suppressor diode	Monitoring contact	Locking function*	Fail-locked	Fail-unlocked	Black (RAL 9011)	Silver (RAL 9006)	White (RAL 9016)
14U400-A0605Q31	•	•			•		•		
14U400-A0691Q31	•	•			•			•	
14U400-A0604Q31	•	•			•				•
14U460-A0605Q31	•	•	•		•		•		
14U460-A0691Q31	•	•	•		•			•	
14U460-A0604Q31	•	•	•		•				•
24U400-A0605Q31	•	•		•	•		•		
24U400-A0691Q31	•	•		•	•			•	
24U400-A0604Q31	•	•		•	•				•
34U400-A0605Q91	•	•				•	•		
34U400-A0691Q91	•	•				•		•	
34U400-A0604Q91	•	•				•			•
34U460-A0605Q91	•	•	•			•	•		
34U460-A0691Q91	•	•	•			•		•	
34U460-A0604Q91	•	•	•			•			•
142U400A0605Q31	•	•			•		•		
142U400A0691Q31	•	•			•			•	
142U400A0604Q31	•	•			•				•
142U460A0605Q31	•	•	•		•		•		
142U460A0691Q31	•	•	•		•			•	
142U460A0604Q31	•	•	•		•				•
Surface-mounted housing (complete), loose							•		
-----A0605-01									
-----A0691-01								•	
-----A0604-01									•
Accessory kit SET-14U400080									

 = Fire protection approval

\* = Exchange controlled

The ASSA ABLOY Group is the global leader in access solutions. Every day we help people feel safe, secure and experience a more open world.

**ASSA ABLOY**  
Opening Solutions

ASSA ABLOY  
Sicherheitstechnik GmbH  
Bildstockstraße 20  
72458 Albstadt  
GERMANY  
Tel. +49 7431 123-700  
albstadt@assaabloy.com  
www.assaabloyopeningsolutions.de