

Gâches électriques

A p r i o r t a e l e t t r i c i

Elektro-Türöffner

Electric strikes

Cerraderos eléctricos

ESCAPE DOOR STRIKE MODEL 332



The powerful miniature amongst escape door strikes.

The approved escape door strike 332

Especially developed to lock doors in escape routes the effeff no-load door strike 332 is universally rated the smallest door strike worldwide.



The compact design of the new effeff rescue door strike 332, successor of the effeff model 331, is comparable with a commercially available standard door strikes and can be fitted quickly and easily in various profiles and frames. With its compact installation dimensions of 77.6 x 20 x 28 mm, this particular door strike is considered as the smallest escape door strike for rescue route doors in the world.

A further advantage is the secure and reliable unlocking procedure under a preload of up to 3.000 N with a holding power of 100% in the event of a power failure. The escape door strike thus ensures that the door strike latch bolt functions reliably even on doors without escape route requirements and where pressure is to be anticipated. Due to its symmetrical design, the door strike is suitable for DIN left, DIN right or horizontal installation.

**Test certificate (MPA – Material Testing Institute – Dortmund)
I20002494.10**

The advantages:

- Radius latch
- Compact symmetrical design
- Min. 2000 N, max. 3000 N holding power according to prEN13633 and prEN 13637
- Unlocking under preload with 100% holding power
- Monitoring contact as microswitch and armature contact as light barrier
- Suitable for DL/DR and horizontal installation
- Low current consumption 100 mA (24V), 200 mA (12V)
- Small installation dimensions: 77.6 x 20 x 28 mm
- Compatible with earlier 331 series, if the striking plate is replaced
- Adjustable FaFix latch bolt: 4 mm adjustment range in 0.5 mm stages
- ProFix 1 and ProFix 2 compatible
- Adjustable via Fix grooves in housing
- Optional fixed latch bolt
- Monitoring contact integrated in housing
- Monitoring flap moves together with the FaFix surface-mounted attachment, i.e. the switching point always remains the same
- Approved for installation as additional locking mechanism in fire rated doors

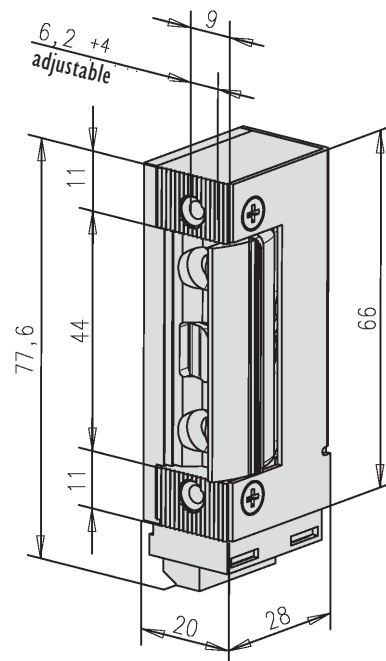
Data sheet

Technical data	
Intrusion resistance: (Holding power according to prEN 13633 and prEN 13637)	max. 3000 N
Material: Housing/latch bolt/surface-mounted attachment	Steel/steel/steel
Fix adjustment	Yes
FaFix adjustment range (0.5 mm stages)	4 mm
Depth of latch bolt engagement	6 mm
Installation dimensions	77.6 x 20 x 28 mm
Operating temperature range	-15 °C to +40 °C
Installation – irrespective of position	Yes
Max. preload unlocking in N	3000 N
Switching capacity – monitoring contact	24 V / 1 A
Armature contact*	Yes
Free-running diode	Yes
Number of cycles in cycle test	200 000
Number of cycles in factory-based cycle test	500 000

* Armature contact not potential-free. Operation with effeff control terminals without coupling relay possible.



Electrical data at 20 °C	12 V	24 V
Nominal operating voltage	± 10%	± 10%
Nominal resistance	63 ohm	260 ohm
Nominal current consumption DC	190 mA	95 mA



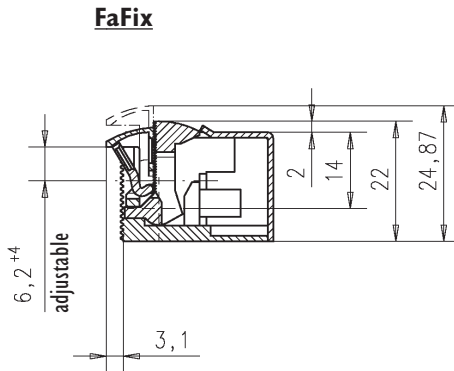
Models

The appropriate escape door strike for every application

- FaFix
- Fixed latch bolt
- ProFix I
- ProFix 2



FaFix version



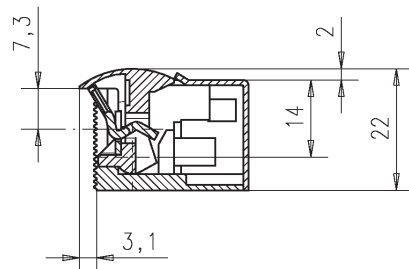
Model 332.80 with FaFix
Order no. 12 V

332.80-----E9I

Order no. 24 V

332.80-----F9I

Fixed latch bolt



Model 332F80 with fixed latch bolt
Order no. 12 V

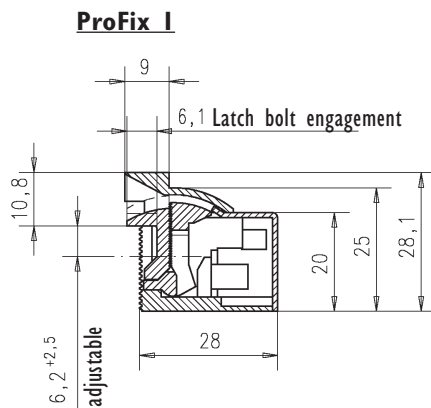
332.80F-----E9I

Order no. 24 V

332.80F-----F9I



ProFix version



Model 332 ProFix version I
(ProFix = radius door strike with latch bolt guide)

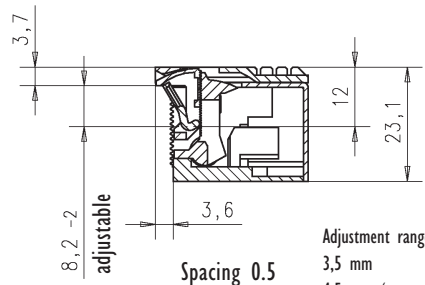
Order no. 12 V

332.208-----E9I

Order no. 24 V

332.208-----F9I

ProFix 2



Adjustment range:
3,5 mm
4,5 mm (zero position)
5,5 mm

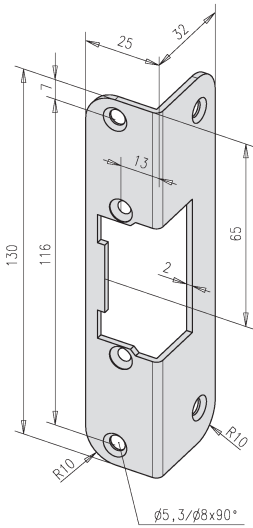
Model 332 ProFix version 2
Order no. 12 V

332.138-----E9I

Order no. 24 V

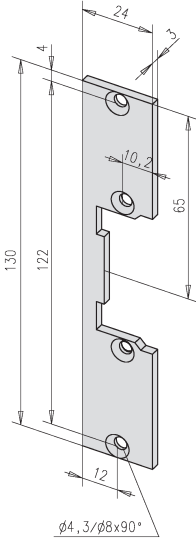
332.138-----F9I

Striking plates



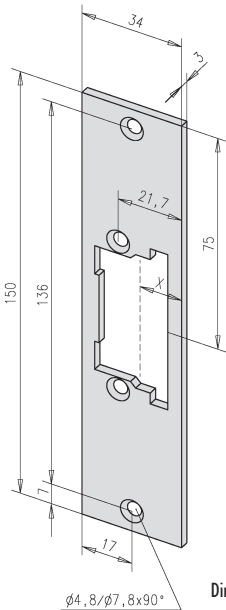
Stainless steel angular striking plate for Models 332.80
Order no.

-----60335-01



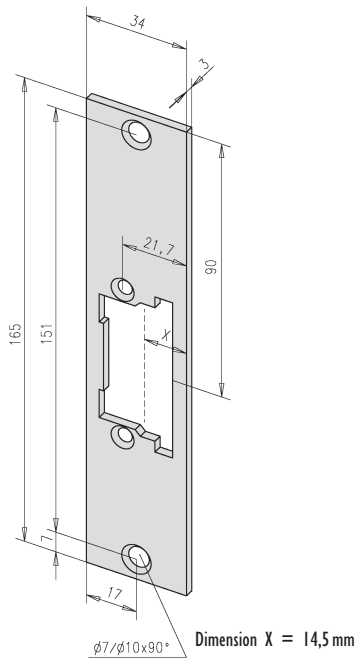
Stainless steel short flat striking plate for models 332.80
Order no.

-----09635-01



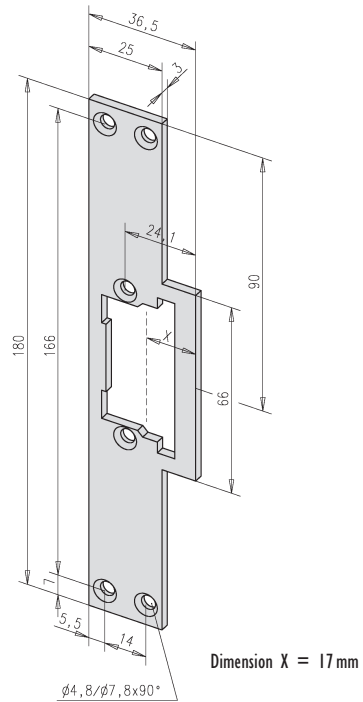
ProFix I stainless steel flat striking plate for models 332.208
Order no.

-----52235-01



ProFix I stainless steel flat striking plate for models 332.208
Order no.

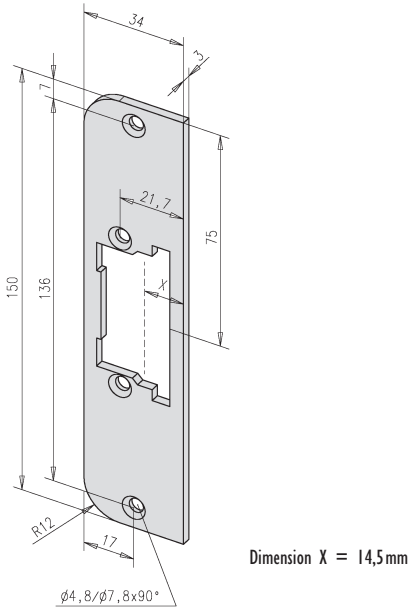
-----53535-01



ProFix I stainless steel flat striking plate for models 332.208
Order no.

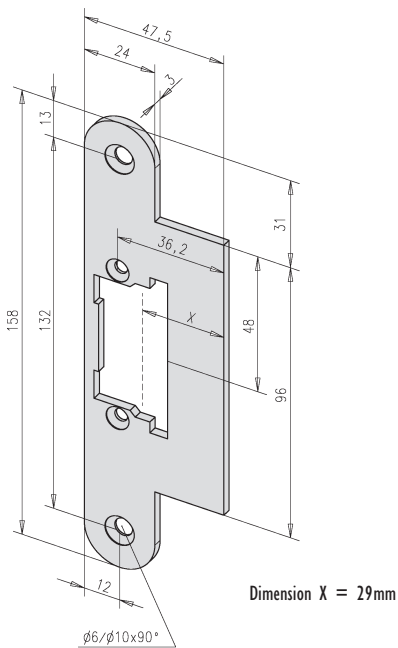
-----52435-01

Striking plates



ProFix I stainless steel flat striking plate for models 332.208
Order no.

-----55735-01



ProFix stainless steel flat striking plate for models 332.208
Order no.

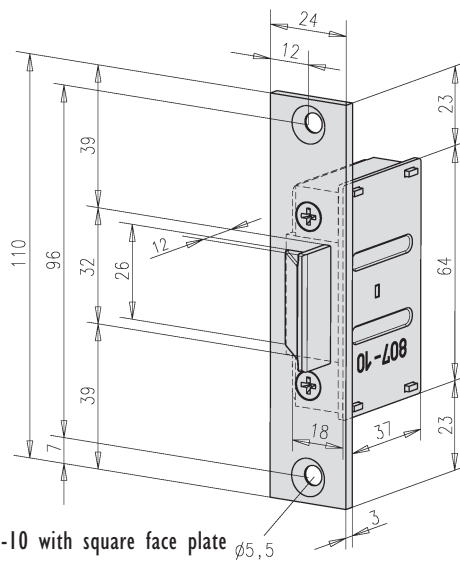
-----58335-01

Accessories

Mortise latch locks

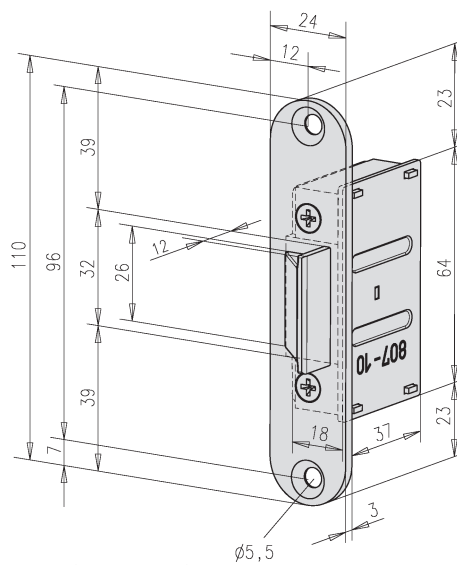
The mortise latch lock of the 807 series have been tested and approved as suitable for the electrical locking of doors in rescue routes according to valid regulations.

The latch bolt is adjustable from 12 mm to 17 mm (projection). This means that it can be adapted to the door gap on site thus ensuring actuation of the monitoring contact.



Model 807-10 with square face plate $\phi 5,5$
Order no.

807-10-----00



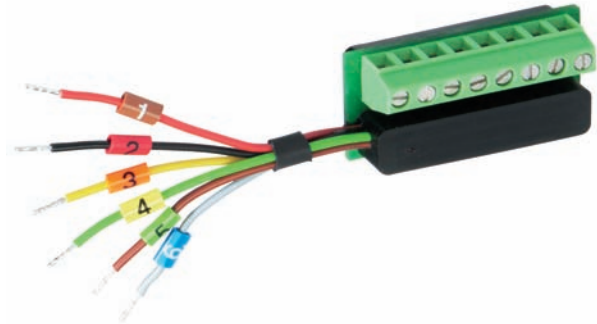
Model 807-12 with rounded face plate $\phi 5,5$
Order no.

807-12-----00

Accessories

Coupling relay model 7480

The coupling relays (coupling module) are required to provide potential-free relay contacts to external units. The armature contact of Model 332 is not potential-free; if necessary use a coupling relay.



Electrical data

Switching current 12V DC /24V DC

IA max.

Order no. for matching coupling relay see list below

Note:

Control terminals can be found in our catalogue under "Rescue route systems" or www.asaabloy.de
Click the effeff logo and visit our Support service.

Order numbers

Models with FaFix

12 V DC	24 V DC	Fail-unlocked	Recovery diode	Monitoring contact	Armature contact	Fix	FaFix ± 2mm	Order No.
•		•	•	•	•	•	•	332.80-----E9 I
	•	•	•	•	•	•	•	332.80-----F9 I

Models with fixed latch bolt

12 V DC	24 V DC	Fail-unlocked	Recovery diode	Monitoring contact	Armature contact	Fix	Fixed latch bolt	Order No.
•		•	•	•	•	•	•	332.80F-----E9 I
	•	•	•	•	•	•	•	332.80F-----F9 I

ProFix I models for HZF/flanged striking plates

12 V DC	24 V DC	Fail-unlocked	Recovery diode	Monitoring contact	Armature contact	FaFix +1,5/-1 mm	Order No.
•		•	•	•	•	•	332.208-----E9 I
	•	•	•	•	•	•	332.208-----F9 I

Accessories

Description of article	Order no.
Coupling relay 7480 for 12 V	7480-----E00
Coupling relay 7480 for 24 V	7480-----F00
Mortise latch bolt 807-10	807-10-----00
Mortise latch bolt 807-12	807-12-----00

Note:

The ProFix versions of Model 332 are also available for angular (iW) and flat striking plates (HZ).
ProFix2 versions available on request.

Gâches électriques

A p r i o r t a e l e t t r i c i

Elektro-Türöffner

Electric strikes

Cerraderos eléctricos

ASSA ABLOY
Sicherheitstechnik GmbH
Bildstockstraße 20
72458 Albstadt
GERMANY
Tel. +49 7431 123-0
Fax +49 7431 123-240
albstadt@assaabloy.de
www.assaabloy.de



effeff, established in 1936 as a precision engineering and electrical engineering workshop, has developed into the global market leader in the field of electromechanical locking device technology through the implementation of a consistent product policy. Electric strikes, electric bolts, safety locks, access control systems, electric shear magnets, rescue route technology, revolving door drives, arrester systems for fire barriers and control elements are among the products that effeff, based in Albstadt in southern Germany, currently exports to 75 countries around the globe.

IKON established in 1926 as ZEISS IKON AG is one of the leading brands for locking cylinders, locks and locking systems in Germany. Our products and solutions that have long since included mechatronic locking cylinders, access control systems, escape door technology, door closing mechanisms along with numerous auxiliary locks and securing devices are manufactured to state-of-the-art technological standards. They protect both humans and valuables.

ASSA ABLOY Sicherheitstechnik GmbH. Since 2005, the brands IKON and effeff perfectly complement the two different product ranges that are developed, produced and marketed by one joint company. This enables us to offer our customers comprehensive and complex solutions for the private, commercial and public sector.

ASSA ABLOY is the leading manufacturer and supplier worldwide of locking system solutions and security systems that meet the high demands of customers with regard to security, protection and user-friendly products. With approx. 30.000 members of staff, the group has an annual turnover of approx. 3 billion Euro.