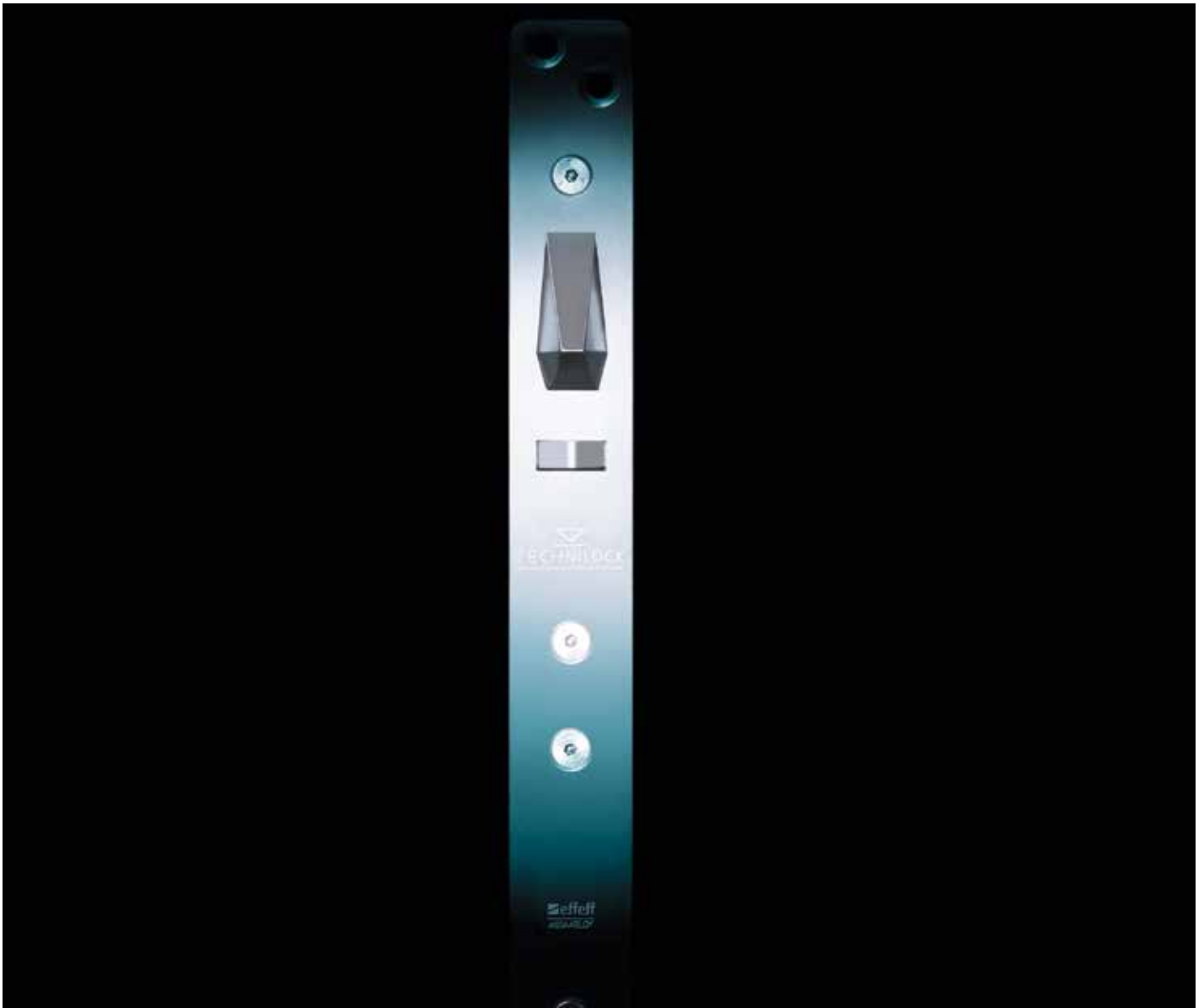


Electric Bolts from effeff



TECHNILOCK L4


ASSA ABLOY

Experience a safer
and more open world

The security door bolt TECHNOLOCK L4 – the reliable solution for sensitive areas



Doors secured with TECHNOLOCK door bolts with their state-of-the-art engineering and high quality offer very high security and reliability.

For use with open-circuit or closed-circuit solutions – TECHNOLOCK is always the right choice.

Depending on the function selected, TECHNOLOCK bolts are ideally suited for safeguarding valuables (e.g. cash offices or strongrooms) or for secure areas (e.g. in prisons).

The many control options are another benefit.

Every TECHNOLOCK bolt can be operated with a simple switch, a TECHNOLOCK control panel, card readers and code-keyboards etc, but also with a traditional profile cylinder or lever handle.

The various different installation options are also part of the success of the TECHNOLOCK bolt.

Mainly installed in the frame they can also be incorporated into the door leaf or horizontally in the door frames.

Full protection of secure areas with TECHNOLOCK L4.

TECHNILOCK L4

Application Areas



Prisons – secure behind locks and bolts

Doors which separate individual areas from each other in prisons must meet specific security requirements - simple operation for authorised persons, reliable tumbler, breakdown and manipulation security. The Technilock range has proven to be an ideal locking system. With its extremely high manipulation and forced-entry security, the bolt offers the appropriate and reliable locking system for sector doors in prisons. The staff know that the door is securely locked and can only be opened by authorised individuals. The thick bunch of keys is now a thing of the past. The Technilock bolts can be easily managed via the access control.



Central bank – sensitive information is classified

Banks must not only safeguard bank notes, coins and other valuables but also sensitive customer data. And some computer rooms hold more valuables than in the vaults themselves.

Data and documents must be secured and so must be the access to the computer room itself.

In addition to a modern access control system, the locking element itself must be extremely reliable and conform to state-of-the-art technology.

The Technilock L4 bolt offers high security and reliable functionality for the protection of highly-sensitive computer rooms.

Even if there is a power cut or a malfunction, the daily operating procedures are not put in jeopardy. The expanded functionality of the L4 ensures seamless bridging.



Jewellers – precious valuables

The secure areas of jewellers have many security features - with the alarm system and access control forming the core of the system. But a door is only ever as secure as its locking element.

Secure tumbler and high breakdown and manipulation security make the Technilock L4 bolt the ideal locking solution for this sensitive area.

1 Prison

2 Service area of a bank
and computer room

3 Jeweller

TECHNILOCK L4

A bolt with many advantages

Features at a glance:

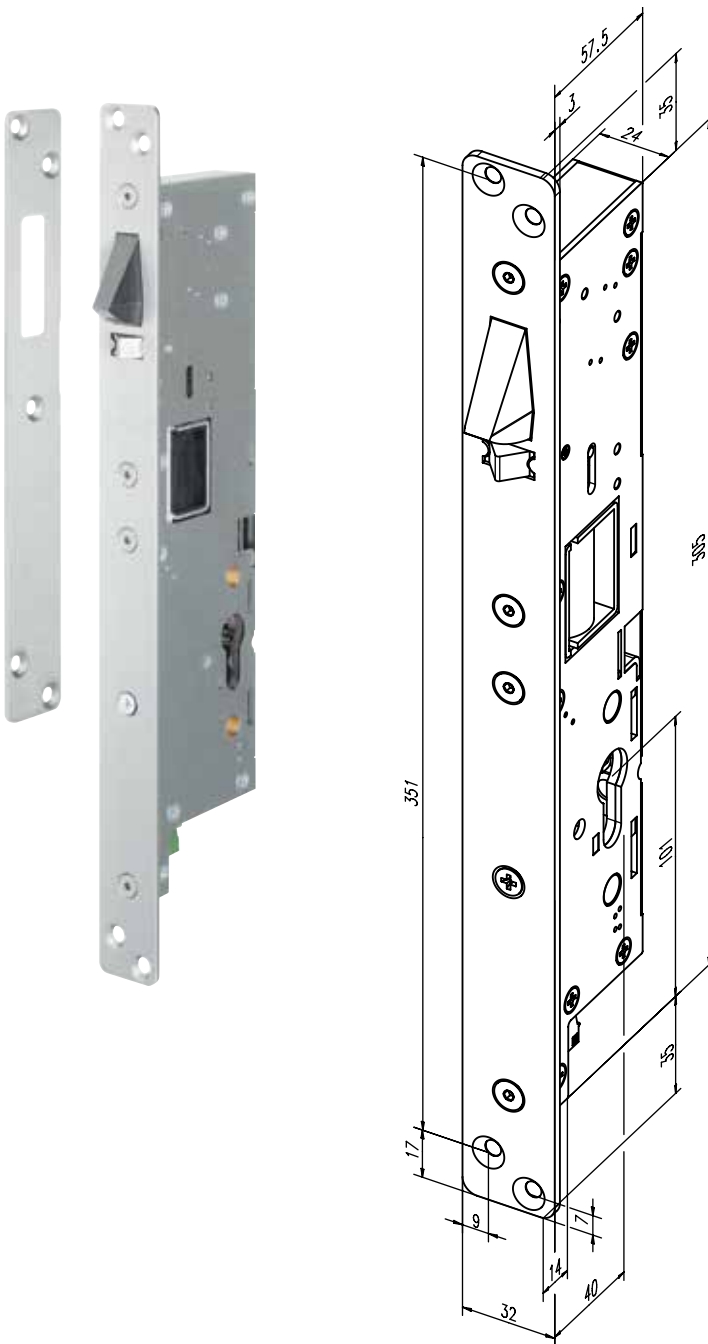
- Electromechanical door bolt for use in high security zones.
- Extremely high resistance to attempted intrusion and manipulation.
- Areas of application: Prisons, banks, police and military building, embassies, hospitals, jewellers etc.
- Reliable impact security.
- Destruction-resistant up to 20,000 N.
- Extensive alarm and monitoring functions.
- Programmable alarm contact.
- Programmable unlocking time.
- Expanded functionality: Two extra functions secure the daily operation even in the case of a power cut or a malfunction and emergency locking if there is a failure.
 - The control latch enables locking in any operational state.
 - The cylinder function can be used for manual locking.
- Integrated error memory and an undervoltage display facilitate fault removal. Functional failures can be retraced quickly on-site for repairs for rapid error analysis, high availability, short breakdown times.
- 80N preload at open-circuit or closed-circuit current always ensure reliable unlocking. Ease of use with revolving door drives. Barrier doors (air pressure) or doors with high sealing pressure can also be safely unlocked.
- Integrated micro-processor control: No extra external control required
Control possibilities: Access control, central control and monitoring panels, freely programmable controls, radio remote control etc.
- The completely new construction reduces the power input and self-heating of the L4 easily enabling use in wood and thermally insulated profiles.
- Expanded lock plate range: The wide selection offers a matching lock plate for every door and every application.
- Horizontal and vertical installation in the frame.
- When installed horizontally only downward locking possible.
- Vertical installation in the door leaf.
- Can be installed in protected outer area.
- Compatible with the L3 and M4 ranges: Simple exchange possible.
- A clip on relay board provides floating outputs (M4 compatible)



For your valuables put
your trust in the L4.

TECHNILOCK L4

Technical attributes



Technical attributes

Break-in resistance fully protected against destruction	20.000 N
Bolt status message	locked/unlocked
Door status message	open/closed
Bolt throw	20 mm
Operating temperature range	-20 °C to +60 °C
Spacing between faceplate and striking plate	Min. 2 mm to max. 5,5 mm
Rated operating voltage	24 V DC, stabilised
Rated operating voltage tolerance range	± 10%
Rated current consumption 24 V DC	4,5 A (0,5 sec)

Feature

Feature	Order no.
Backset 30 mm, Fail-locked with S-latch, Euro Profile cylinder	844L430ESE----
Backset 35 mm, Fail-locked with S-latch, Euro Profile cylinder	844L435ESE----
Backset 40 mm, Fail-locked with S-latch, Euro Profile cylinder	844L440ESE----
Backset 60 mm, Fail-locked with S-latch, Euro Profile cylinder	844L460ESE----
Backset 30 mm, Fail-unlocked, Euro Profile cylinder	844L430ESA----
Backset 35 mm, Fail-unlocked, Euro Profile cylinder	844L435ESA----
Backset 40 mm, Fail-unlocked, Euro Profile cylinder	844L440ESA----
Backset 60 mm, Fail-unlocked, Euro Profile cylinder	844L460ESA----

Suitable striking plates	Lenght max.	Width max.	Depth max.	Best. Nr.
Striking plate L4 Standard	265 mm	34 mm	3 mm + 3 mm**	844L4SBL1----01
Striking plate L4 Standard, LAP, DIN L	265 mm	34 mm + 28 mm*	3 mm + 3 mm**	844L4SBL2----04
Striking plate L4 Standard, LAP, DIN R	265 mm	34 mm + 28 mm*	3 mm + 3 mm**	844L4SBL3----05
Striking plate L4 adjustable	265 mm	34 mm	3 mm + 18 mm**	844L4SBL4----01
Striking plate L4 adjustable, LAP DIN L	265 mm	34 mm + 28 mm*	3 mm + 18 mm**	844L4SBL4----04
Striking plate L4 adjustable, LAP DIN R	265 mm	34 mm + 28 mm*	3 mm + 18 mm**	844L4SBL4----05

* = lug spreads on 28mm. Total width 62mm

** = material thickness + buildup
if standard: buildup of magnets
if adjustable buildup deabolt box

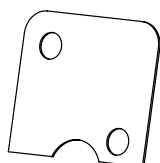
Accessories

Mounting plate 844ZBP1

For direct mounting on L4 lock. Circuit board provides 2 floating outputs.

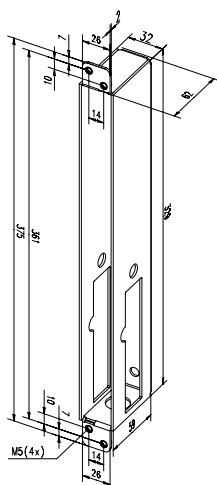
Technical attributes	
Contact	Potential-free

Feature	
Platine	844ZBP1-----00

**Spacer plates 844L4ZBD1**
for striking plates

Technical attributes	
material thickness	0,5 mm

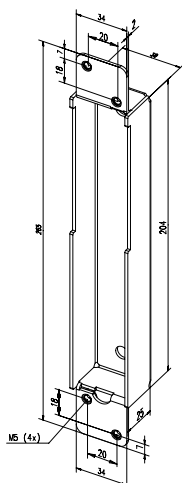
Feature	
Spacer plates	844L4ZBD1----00

**Shogging box 844L4RGK30**

Drawing shows backset 35mm

Technical attributes	
Backset	30, 35, 40, 60 mm

Feature	
Backset 30 mm	844L4RGK30---01
Backset 35 mm	844L4RGK35---01
Backset 40 mm	844L4RGK40---01
Backset 60 mm	844L4RGK60---01

**Striking plate box 844L4SBK**

Technical attributes	
Compatible with	TECHNILOCK L4

Feature	
Striking plate box	844L4SBK-----01

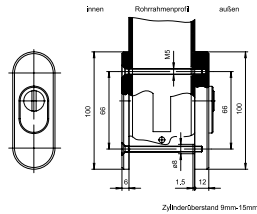
TECHNILOCK L4

Accessories



Security escutcheon 844SX63

Security escutcheon for usage with Technilock L4.



Technical attributes	
Version	With core drawback protector
Cylinder type	Euro Profile cylinder
Surface	nickel-plated

Feature	Order no.
Security escutcheon	844SX63-----



Voltage supply 844PS24

This fully electronic stabilised voltage power supply is designed for the connection at drop bolt model L4. The power supply in steel plate is designed for standard hat rail mounting. A tandem processing for 2 drop bolts is possible. The power supply includes a charging electronic for lead-acid battery with automatic change-over at voltage breakdown.

Technical attributes	
Height	112 mm
Width	170 mm
Depth	88,5 mm
Rated operating voltage	230 V AC
Rated operating voltage tolerance range	± 10%
Output voltage	24 V DC, stabilised
Separate exit (Accessories)	Max. 3,3 A

Feature	Order no.
Voltage supply	844PS24D52-----



Voltage supply 1003-24-4

This voltage supply is required to operate the Technilock bolt with LED display for operating and overload.

Technical attributes	
Rated operating voltage	230 V AC
Rated operating voltage tolerance range	± 10%
Output voltage	24 V DC, stabilised

Feature	Order no.
4 A, (H/W/L) 66,5/93/140 mm	1003-24-4---00

The ASSA ABLOY Group is the global leader in access solutions. Every day we help people feel safe, secure and experience a more open world.

ASSA ABLOY
Opening Solutions

ASSA ABLOY
Sicherheitstechnik GmbH
Bildstockstraße 20
72458 Albstadt
GERMANY
Tel. +49 7431 123-700
Fax +49 7431 123-258
albstadt@assaabloy.com
www.assaabloyopeningsolutions.de

©ASSA ABLOY | We reserve the right to make technical modifications.
2.1901-136 0G0 00