

Gâches électriques

A p r i o r t a e l e t t r i c i

# Elektro-Türöffner

Electric strikes

Cerraderos eléctricos

**FIRE RATED ELECTRIC STRIKE MODEL 143**



### The new fire rated electric door strike Model 143



- **Motor-powered version 143M** for high preload and DC operation
- **Coil version 143**

Model 143 effeff security strikes are tested and approved locking devices for fire doors.

Model 143 electric strikes are newly developed products offering new opportunities due to a extensive range of functions:

**Test certificate (MPA - Material Testing Institute - Dortmund)  
P-120389096**

#### The advantages:

- New adaptable connection technology
- 12-24 V voltage range for AC and DC operation
- FaFix and Fix combined
- Radius latch
- Optional with fixed latch bolt
- All models suitable for universal (DIN right/DIN left/horizontal) installation
- Integrated voltage surge protection
- Compatible with previous 142 series

**The 143 model features a new connection technology**

- Connection terminals (coil and RR) on one side: No cable required on the side or back of the electric strike.
- Time-saving connection due to improved connection technology.
- Reliable contacting due to terminal guard.
- Adaptable connection block (see below)

**Conclusion:**

Simplified product selection and quick and easy installation.

**Reliable planning:**

**12-24 V voltage range with AC and DC operation**

- Voltage range 12-24 V via voltage controller
  - simple and reliable connection.
- Integrated suppressor diode ensures voltage surge protection for direct and alternating current
- Just one version means there is no need to decide whether
  - 12 V or 24 V
  - DC or AC
  - DIN left or DIN right
  - With or without diode, as the door strike covers all these possibilities.

**Combination of FaFix and Fix**

- Fix and FaFix combined as a standard feature
- 4 mm adjustment range with Fix and FaFix

**Universal mounting**

- Every version can be mounted either right, left or horizontally
- If space is limited, the connection block can be repositioned on site.

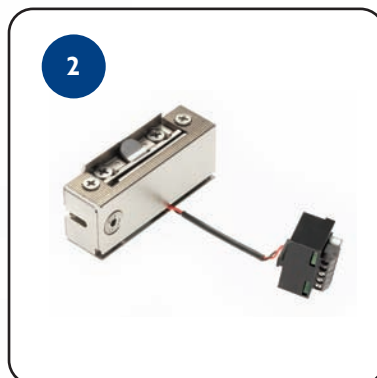
**ProFix**

- Latch bolt guide is attached to the electric strike

**Just 3 simple steps...  
Never has it been this easy!**



Push the connection block out of the guide



onto the desired side...



Just lay the cable in the guide located in the housing and insert the connection block – finished.

# FIRE RATED ELECTRIC STRIKE MODEL I43

## Data sheet

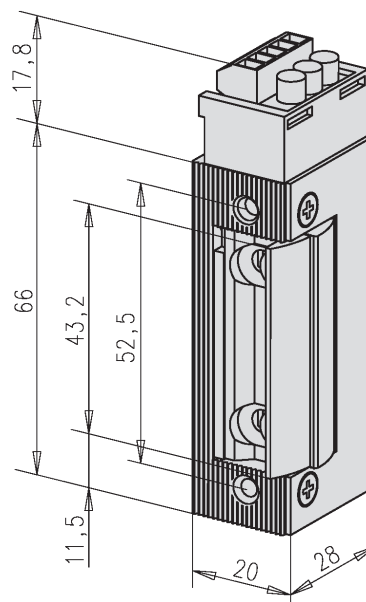
Technical data	
Intrusion resistance: FaFix/fixd latch bolt	8000 N / 10 000 N
Material: Housing/latch bolt/surface-mounted attachment	Steel/steel/steel
Fix adjustment	Yes
FaFix adjustment range (0.5 mm spacing)	4 mm
Depth of latch bolt engagement	6 mm
Installation dimensions	80 x 21 x 28 mm
Operating temperature range	-15 °C to +40 °C
Installation – irrespective of position	Yes
Preload unlocking <b>Model I43 M</b> max. in N	1000 N
Preload unlocking <b>Model I43</b> max. in N	150 N
Switching capacity – monitoring contact	24 V / 1 A
Free-running diode	Yes
Suitable for fire protection	Yes
Number of cycles in cycle test	200 000
Number of cycle in factory-based cycle test	500 000



4

Electrical data <b>Model I43M</b> (motor-powered version) at 20 °C	12 V	24 V
Nominal operating voltage	± 1 V	± 2 V
Max. starting current consumption AC/DC	125 mA	125 mA

Electrical data <b>Model I43</b> (coil version) at 20 °C	12 V	24 V
Nominal operating voltage	± 1 V	± 2 V
Nominal resistance	High impedance	
Max. starting current consumption AC/DC (for approx. 10 msec.)	350 mA	350 mA
Nominal current - continuous operation (100°C)	240 mA	120 mA



## Models

The appropriate fire rated door strike for every application

- FaFix
- Fixed latch bolt
- ProFix I
- ProFix 2



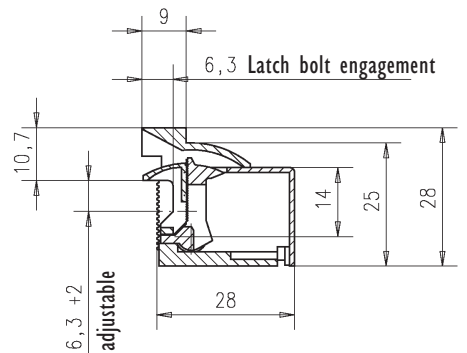
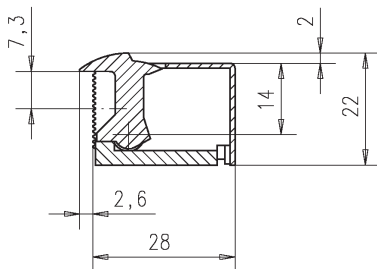
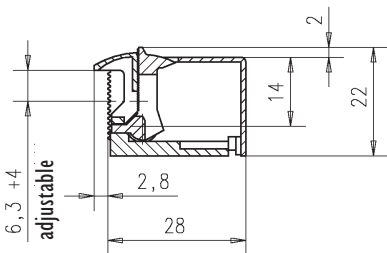
**Model 143**  
in FaFix version  
(Abb. I43R-----Q14)



**Model 143F**  
with fixed latch bolt  
(Abb. I43F-----Q14)



**Model 143.20**  
**ProFix I version**  
Profix = radius door strike with  
latch bolt guide

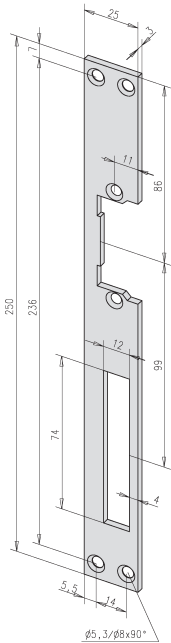


**Note:**

A complete overview of different versions and order numbers can be found on Page 7.

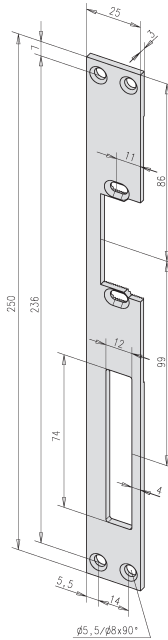
## Striking plates

The appropriate striking plate for every installation.



HZ stainless steel flat striking plate for models 143 (universal DIN left/DIN right)  
Order no.

-----02135-01

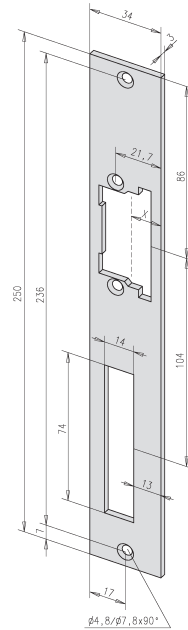


HZ stainless steel flat striking plate, with Fix grooves for models 143  
Order no. DIN left

-----05135-04

Order no. DIN right

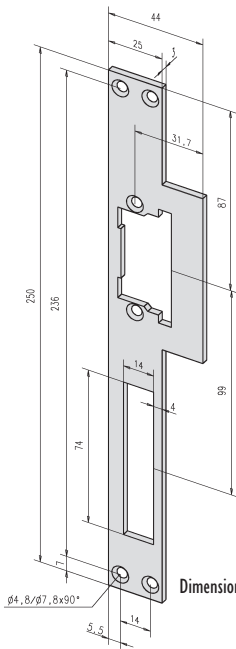
-----05135-05



ProFix stainless steel flat striking plate, for ProFix models (universal)  
Order No.

-----53635-01

Dimension X = 14,5 mm



ProFix stainless steel flat striking plate, for ProFix models 143 (universal)  
Order no.

-----52135-01

Dimension X = 24,8 mm

# NEVER HAS IT BEEN

The new fire

## Order numbers

### Models with FaFix

12-24 V AC/DC	Coil operation	Motor-powered operation	Free-running diode	Monitoring contact	Fix	FaFix ± 2 mm	Order No
•	•		•		•	•	I43-----Q14
•	•		•	•	•	•	I43R-----Q14
•		•	•		•	•	I43M-----Q14
•		•	•	•	•	•	I43MR-----Q14

### Models with fixed latch bolt

12-24 V AC/DC	Coil operation	Motor-powered operation	Free-running diode	Monitoring contact	Fix	Fixed latch bolt	Order No
•	•		•		•	•	I43F-----Q14
•	•		•	•	•	•	I43RF-----Q14
•		•	•		•	•	I43MF-----Q14
•		•	•	•	•	•	I43MRF-----Q14

### Models Profix I for Profix HZF/flanged striking plates

12-24 V AC/DC	Coil operation	Motor-powered operation	Free-running diode	Monitoring contact	FaFix+1,5/-1 mm	Order No
•	•		•		•	I43.10-----Q14
•	•		•	•	•	I43.20-----Q14
•		•	•		•	I43M10-----Q14
•		•	•	•	•	I43M20-----Q14

**Note:**

The Profix versions are also available for angular striking plates (iW) and flat striking plates (HZ).

**THIS EASY!**

rated door strike

Model 143.



Gâches électriques

A p r i o r t a e l e t t r i c i

# Elektro-Türöffner

Electric strikes

Cerraderos eléctricos

ASSA ABLOY  
Sicherheitstechnik GmbH  
Bildstockstraße 20  
72458 Albstadt  
GERMANY  
Tel. +49 7431 123-0  
Fax +49 7431 123-240  
albstadt@assaabloy.de  
www.assaabloy.de



**effeff**, established in 1936 as a precision engineering and electrical engineering workshop, has developed through the implementation of a consistent product policy to become the global market leader in the field of electromechanical locking device technology. Electric door strikes, electric bolts, security locks, access control systems, electrical magnets, escape route technology, swing door operators, arrester systems for fire barriers and control elements are among the products that effeff exports today from Albstadt in the Swabian Alb to over 75 countries around the globe.

**IKON** established in 1926 as ZEISS IKON AG is one of the leading brands for locking cylinders, locks and locking systems in Germany. Our products and solutions that have long since included mechatronic locking cylinders, access control systems, escape door technology, door closing mechanisms along with numerous auxiliary locks and securing devices are manufactured to state-of-the-art technological standards. They protect both humans and valuables.

**ASSA ABLOY Sicherheitstechnik GmbH**. Since 2005, the brands IKON and effeff perfectly complement the two different product ranges that are developed, produced and marketed by one joint company. This enables us to offer our customers comprehensive and complex solutions for the private, commercial and public sector.

**ASSA ABLOY** is the leading manufacturer and supplier worldwide of locking system solutions and security systems that meet the high demands of customers with regard to security, protection and user-friendly products. With approx. 30.000 members of staff, the group has an annual turnover of approx. 3 billion Euro.