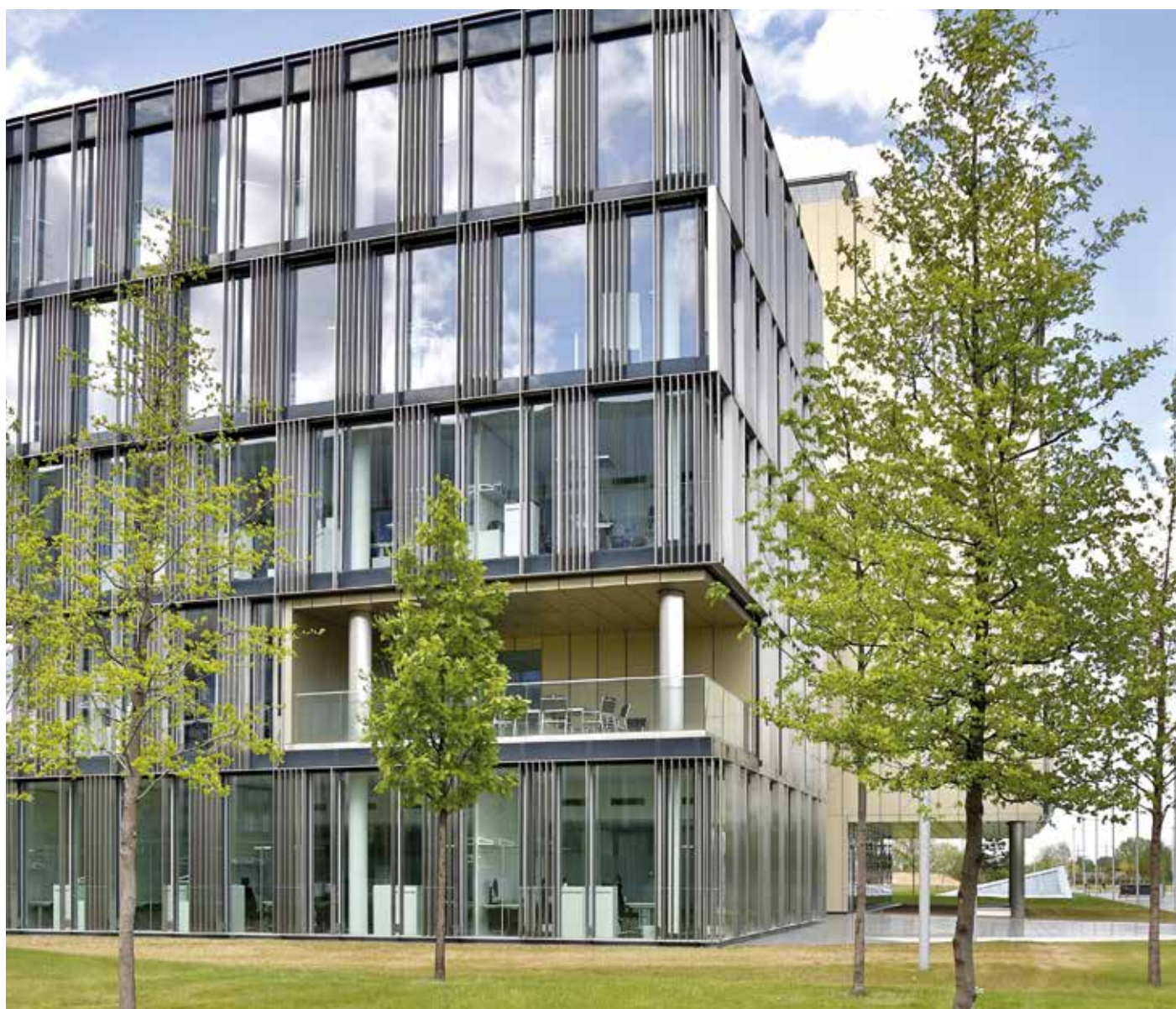


Security fittings from ASSA ABLOY



The new range of security fittings from
ASSA ABLOY

ASSA ABLOY

The global leader in
door opening solutions

Security fittings from ASSA ABLOY

The ASSA ABLOY security fittings are the perfect addition to our security locks to secure external doors or security doors.

ASSA ABLOY security fittings meet three different security requirements in one:

- Intrusion protection according to DIN EN 1906
- Safety for emergency exists according to DIN EN 179
- Fire protection requirements for smoke protection and fire doors DIN 18273

Overview of advantages:

- Suitable as a fitting for emergency exit doors according to DIN EN 179
- Intrusion-resistant according to DIN EN 1906
- Tested in accordance with DIN 18273 for use on smoke protection and fire doors
- Can be used for DIN left and DIN right
- Pivoted internal and exterior door handles
- Triple screw connections from the inside to the outside, concealed on the inside.
- Outside escutcheon with drilling protection and protective studs to be mortise in the door leaf
- Outside escutcheon compatible with a cylinder cover as cylinder protection or with cylinder inserts to cover different cylinder projections for door leaves from 12/14/16/18/20 mm



Legal notes

Standards and classifications

Escape routes and emergency exit functions



The ASSA ABLOY security fittings have been tested in accordance with DIN EN 179 with the effeff brand locks. Testing with ASSA ABLOY OneSystem locks is in preparation.



Burglary prevention and protection against tampering



The ASSA ABLOY security fittings have been tested in accordance with DIN EN 1906 and meet the classification:

User category	Class 3	frequent use with less care
Sustainability	Class 7	frequent use, 200,000 cycles
Door dimensions	–	no classification determined
Fire resistance	Class B	Suitable for smoke protection and fire doors
Security	Class 1	Suitable for public areas
Corrosion resistance	Class 3	High corrosion resistance 96 h
Burglary resistance	Class 2	Moderately intrusion-proof (see DIN 18257, ES1)
	Class 3	Highly intrusion-proof (see DIN 18257, ES2)
	Class 4	Extremely intrusion-proof (see DIN 18257, ES2)
Design type	Type U	Fitting without holding spring

For fire and smoke protection

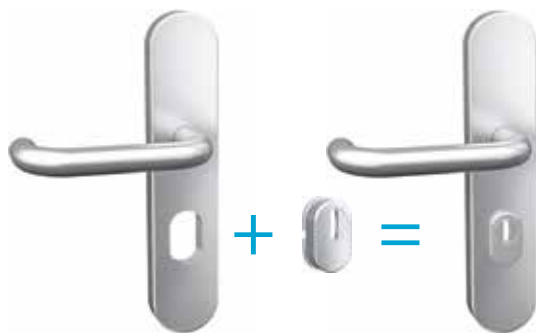
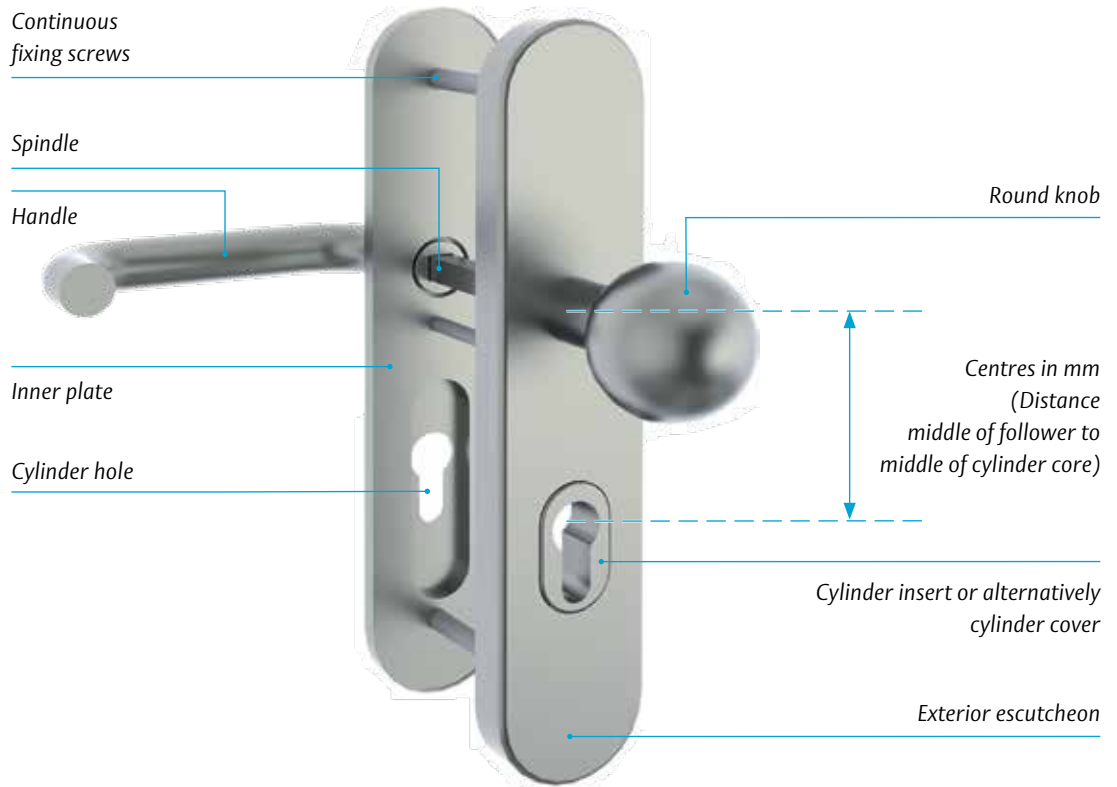


The ASSA ABLOY security fittings meet the usability criteria for fire and smoke protection doors according to DIN 18273 .



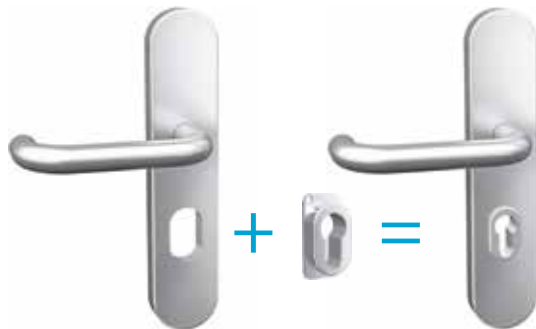
Security fittings

Definition of terms



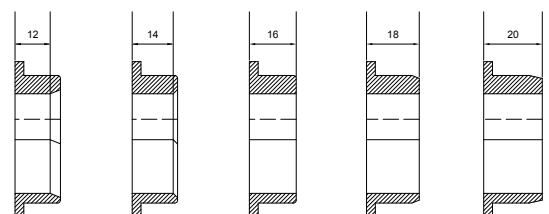
Cylinder cover

The ASSA ABLOY security fittings are universally compatible with a cylinder cover for anti-pulling and drilling protection of the cylinder, or with cylinder inserts for various cylinder projections to protect against the cylinder body being snapped off and as a visual adaptation to the fitting.



Cylinder insert

Cylinder insert for Euro profile cylinders in different sizes (12 / 14 / 16 / 18 / 20 mm) for different cylinder projections from the door leaf.



Handle shapes

Standard and Design

The ASSA ABLOY security fittings are available in two different handle designs.



U-shaped standard

- 1 in straight design for full-leaf fittings
- 2 in offset versions for tubular frame fittings



U-shaped design

- 1 in straight design for full-leaf fittings
- 2 in offset versions for tubular frame fittings

Note:
Both handle shapes meet
the requirements of DIN
EN 179 and DIN 18040.

Tubular frame security fittings

Fixed knob furniture



Tubular frame security fitting - long escutcheon version front door furniture

The tubular frame security fitting is suitable for doors with requirements on intrusion protection, emergency exit function, as well as fire and smoke protection.

Compatible ASSA ABLOY products: 309X / 319 / 329X / 409X / 509E / 509X / 519 / 529X / 609 / 629X

The advantages at a glance

- Usage category 3 according to DIN EN 1906,
- Security Class 2 / 3 in accordance with DIN EN 1906
- Suitable for fire and smoke protection doors (DIN 18273)
- Suitable as panic fitting according to DIN EN 179
- Suitable for DIN left and right
- variable, suitable for cylinder cover as pull-out protection and drilling protection of the profile cylinder or for cylinder inserts for various cylinder projections for protection from breaking-off of the cylinder and a visual adaptation to the fitting.

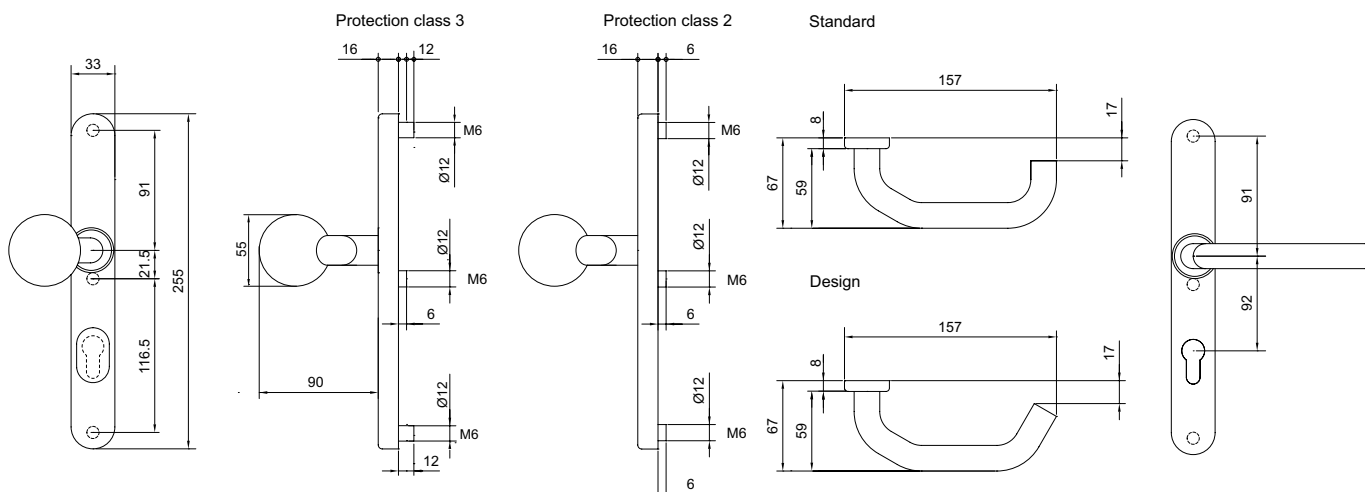
Technical attributes

Dimensions of external shield	255 x 33 x 16 mm (L x W x H)
Dimensions of inside shield	255 x 33 x 8 mm (L x W x H)
Spindle	9 mm
Distance	92 mm
Protection rating	2 / 3 according to DIN EN 1906
Category of use	3 according to DIN EN 1906
Cylinder cover / Cylinder insert	variable, can be ordered separately
Certified in compliance with	DIN EN 1906, DIN EN 179 and DIN 18273

Article / Feature

Article / Feature	Order no.
Protection rating 3; profile cylinder; 92 mm; U-design handle shape	N 4 9 9 7 4 5 0 9 3 0 0 0 0 0
Protection rating 2; profile cylinder; 92 mm; U-design handle shape	N 4 9 9 7 4 5 0 9 2 0 0 0 0 0
Protection rating 3; profile cylinder; 92 mm; standard handle shape	N 4 9 6 7 4 5 0 9 3 0 0 0 0 0
Protection rating 2; profile cylinder; 92 mm; standard handle shape	N 4 9 6 7 4 5 0 9 2 0 0 0 0 0

Cylinder insert or cylinder cover and fixing screws and spindle must be ordered separately



Tubular frame security fittings

Lever handle set furniture



Tubular frame security fitting - long escutcheon version handle furniture

The tubular frame security fitting is suitable for doors with requirements on intrusion protection, emergency exit function, as well as fire and smoke protection. Compatible ASSA ABLOY products: 309-B / 319-B / 709X / 729X / 809 / 819

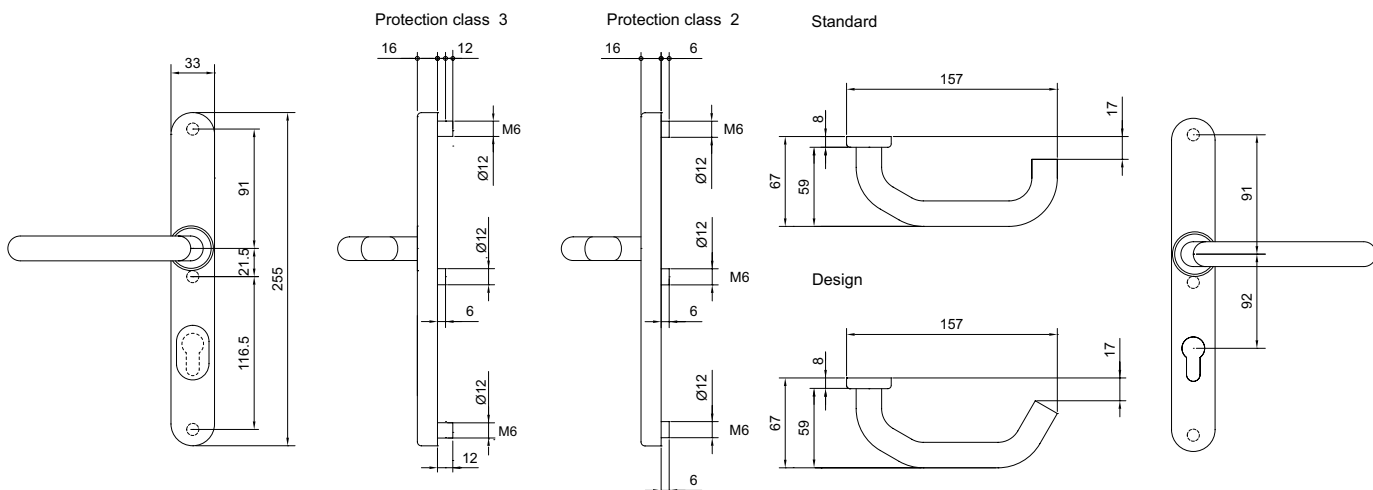
The advantages at a glance

- Usage category 3 according to DIN EN 1906,
- Security Class 2 / 3 in accordance with DIN EN 1906
- Suitable for fire and smoke protection doors (DIN 18273)
- Suitable as panic fitting according to DIN EN 179
- Suitable for DIN left and right
- variable, suitable for cylinder cover as pull-out protection and drilling protection of the profile cylinder or for cylinder inserts for various cylinder projections for protection from breaking-off of the cylinder and a visual adaptation to the fitting.

Technical attributes	
Dimensions of external shield	255 x 33 x 16 mm (L x W x H)
Dimensions of inside shield	255 x 33 x 8 mm (L x W x H)
Spindle	9 mm
Distance	92 mm
Protection rating	2 / 3 according to DIN EN 1906
Category of use	3 according to DIN EN 1906
Cylinder cover / Cylinder insert	variable, can be ordered separately
Certified in compliance with	DIN EN 1906, DIN EN 179 and DIN 18273

Article / Feature	Order no.
Protection rating 3; profile cylinder; 92 mm; U-design handle shape	N 4 9 9 2 4 5 0 9 3 0 0 0 0 0
Protection rating 2; profile cylinder; 92 mm; U-design handle shape	N 4 9 9 2 4 5 0 9 2 0 0 0 0 0
Protection rating 3; profile cylinder; 92 mm; standard handle shape	N 4 9 6 2 4 5 0 9 3 0 0 0 0 0
Protection rating 2; profile cylinder; 92 mm; standard handle shape	N 4 9 6 2 4 5 0 9 2 0 0 0 0 0

Cylinder insert or cylinder cover and fixing screws and spindle must be ordered separately



Tubular frame security fittings

Half-set



Security fitting Half-set

The tubular frame half-set is suitable, for instance, as an outside escutcheon for panic bar model 8000. It fulfils the requirements on intrusion protection as well as fire and smoke protection requirements.

Compatible ASSA ABLOY products: Knob half-set: 309X / 409X / 609 / 329X / 629X / 319E / 519E / 509E ; Handle half-set: 709X / 729X / 809E / 819E

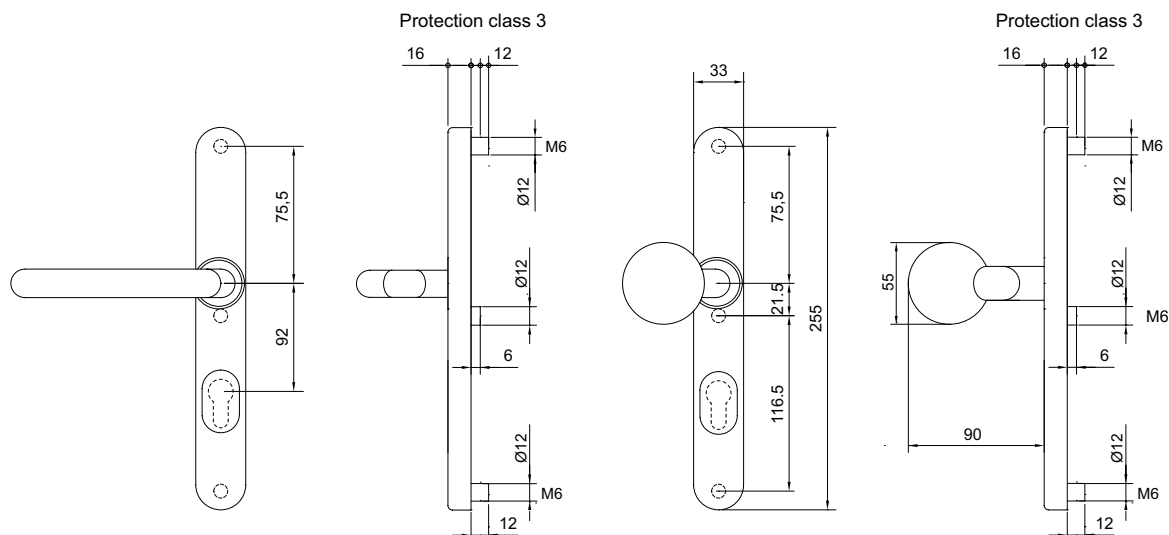
The advantages at a glance

- Security Class 3 in accordance with DIN EN 1906
- Usage Category 3 in accordance with DIN EN 1906
- Suitable for fire and smoke protection doors (DIN 18273)
- Suitable as an outer fitting in accordance with DIN EN 1125
- DIN left and right usable
- Variably compatible with a cylinder cover for anti-pulling and drilling protection of the profile cylinder, or with cylinder inserts for various cylinder projections to protect against the cylinder body being snapped off and as a visual adaptation to the

Technical attributes	
Escutcheon dimensions	255 x 33 x 16 mm (L x W x H)
Spindle	9 mm
Distance	92 mm
Protection rating	3 according to DIN EN 1906
Category of use	3 according to DIN EN 1906
Cylinder cover / Cylinder insert	variable, can be ordered separately
Certified in compliance with	DIN EN 1906 and DIN 18273

Article / Feature	Order no.
Tubular frame handle half-set	N 4 9 6 3 4 5 0 9 3 0 0 0 0 1
Tubular frame knob half-set	N 4 9 0 7 4 5 0 X 3 0 0 0 0 1

Cylinder insert or cylinder cover and fixing screws and spindle must be ordered separately



Full leaf security fittings

Fixed knob furniture



Full leaf security fitting - long escutcheon version front door furniture

The leaf security fitting is suitable for wooden and steel sheet doors with requirements on intrusion protection, emergency exit function, as well as fire and smoke protection.

Compatible ASSA ABLOY products: 309X / 329X / 409X / 509X / 529X / 609 / 629X

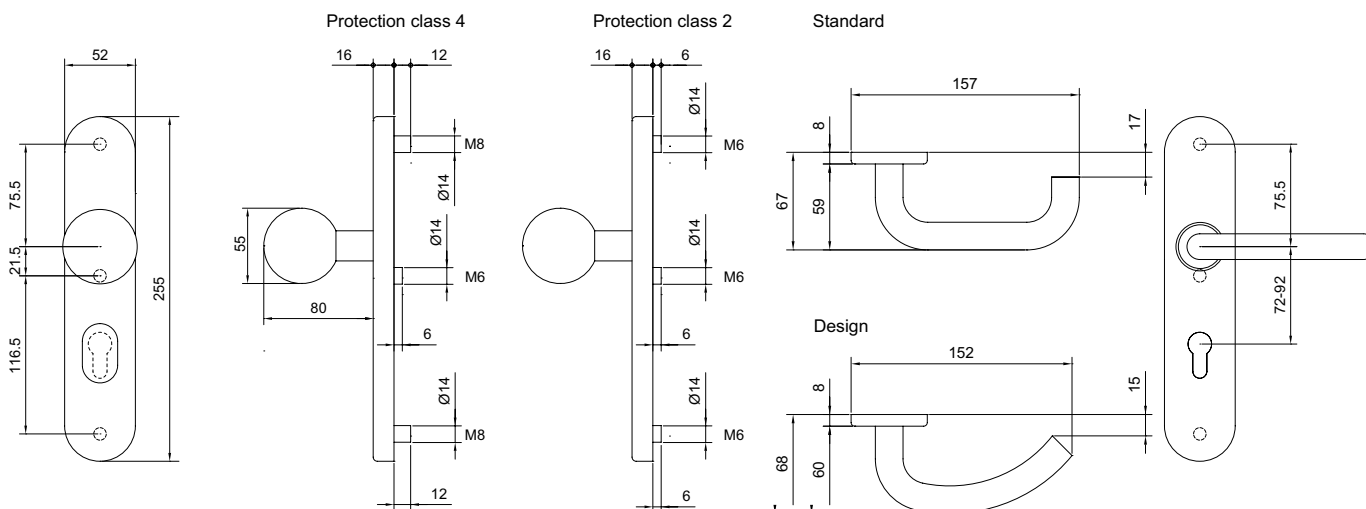
The advantages at a glance

- Usage category 3 according to DIN EN 1906,
- Security Class 2 / 4 in accordance with DIN EN 1906
- Suitable for fire and smoke protection doors (DIN 18273)
- Suitable as panic fitting according to DIN EN 179
- Suitable for DIN left and right
- variable, suitable for cylinder cover as pull-out protection and drilling protection of the profile cylinder or for cylinder inserts for various cylinder projections for protection from breaking-off of the cylinder and a visual adaptation to the fitting.

Technical attributes	
Dimensions of external shield	255 x 52 x 15 mm (L x W x H)
Dimensions of inside shield	255 x 52 x 8 mm (L x W x H)
Spindle	9 mm
Distance	72 mm
Protection rating	2 / 4 according to DIN EN 1906
Category of use	3 according to DIN EN 1906
Cylinder cover / Cylinder insert	variable, can be ordered separately
Certified in compliance with	DIN EN 1906, DIN EN 179 and DIN 18273

Article / Feature	Order no.
Protection rating 4; profile cylinder; 72 mm; U-design handle shape	N 4 4 5 7 4 1 0 9 4 0 0 0 0 0
Protection rating 2; profile cylinder; 72 mm; U-design handle shape	N 4 4 5 7 4 1 0 9 2 0 0 0 0 0
Protection rating 4; profile cylinder; 72 mm; standard handle shape	N 4 4 2 7 4 1 0 9 4 0 0 0 0 0
Protection rating 2; profile cylinder; 72 mm; standard handle shape	N 4 4 2 7 4 1 0 9 2 0 0 0 0 0

Cylinder insert or cylinder cover and fixing screws and spindle must be ordered separately



Full leaf security fittings

Lever handle set furniture



Full leaf security fitting - long escutcheon version handle furniture

The leaf security fitting is suitable for wooden and steel sheet doors with requirements on intrusion protection, emergency exit function, as well as fire and smoke protection.

Compatible ASSA ABLOY products: 309MB / 709X / 729X / 809M

The advantages at a glance

- Usage category 3 according to DIN EN 1906,
- Security Class 2 / 4 in accordance with DIN EN 1906
- Suitable for fire and smoke protection doors (DIN 18273)
- Suitable as panic fitting according to DIN EN 179
- Suitable for DIN left and right
- Versatile use for cylinder cover as a pulling and drilling protection of the profile cylinder or for cylinder inserts for different cylinder projections as a protection against breaking of the cylinder and to suit the appearance of the escutcheon

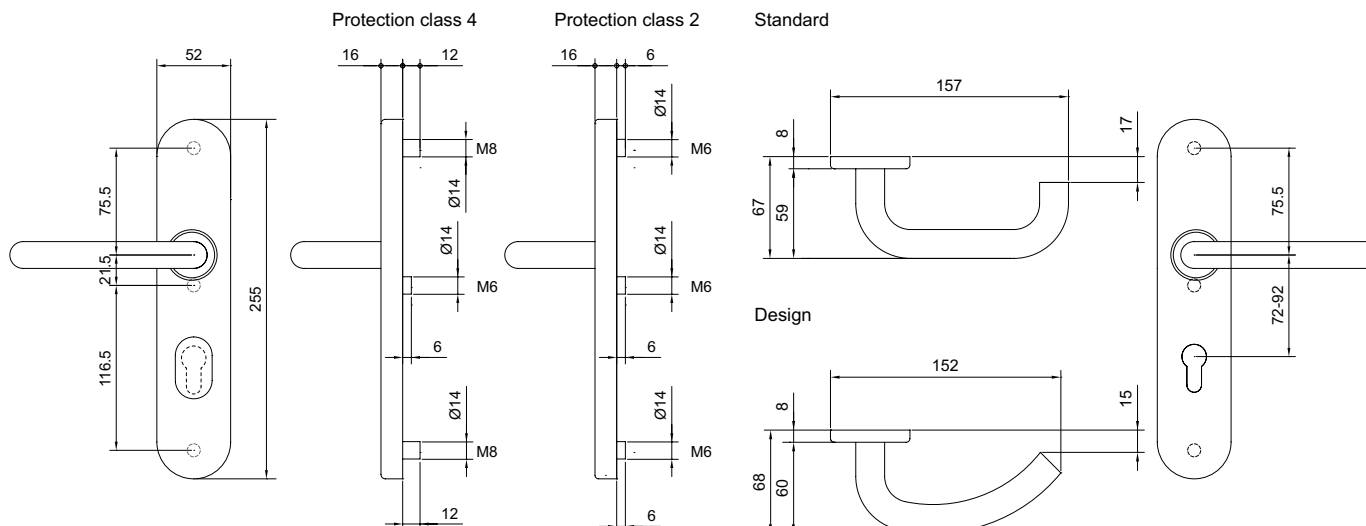
Technical attributes

Dimensions of external shield	255 x 52 x 15 mm (L x W x H)
Dimensions of inside shield	255 x 52 x 8 mm (L x W x H)
Spindle	9 mm
Distance	72 mm
Protection rating	2 / 4 according to DIN EN 1906
Category of use	3 according to DIN EN 1906
Cylinder cover / Cylinder insert	variable, can be ordered separately
Certified in compliance with	DIN EN 1906, DIN EN 179 and DIN 18273

Article / Feature

Article / Feature	Order no.
Protection rating 4; profile cylinder; 72 mm; U-design handle shape	N 4 4 5 2 4 1 0 9 4 0 0 0 0 0
Protection rating 2; profile cylinder; 72 mm; U-design handle shape	N 4 4 5 2 4 1 0 9 2 0 0 0 0 0
Protection rating 4; profile cylinder; 72 mm; standard handle shape	N 4 4 2 2 4 1 0 9 4 0 0 0 0 0
Protection rating 2; profile cylinder; 72 mm; standard handle shape	N 4 4 2 2 4 1 0 9 2 0 0 0 0 0

Cylinder insert or cylinder cover and fixing screws and spindle must be ordered separately



Full leaf security fittings

Fixed knob furniture



Full leaf security fitting - long escutcheon version front door furniture

The leaf security fitting is suitable for wooden and steel sheet doors with requirements on intrusion protection, emergency exit function, as well as fire and smoke protection.

Compatible ASSA ABLOY products: 319 / 509E / 519

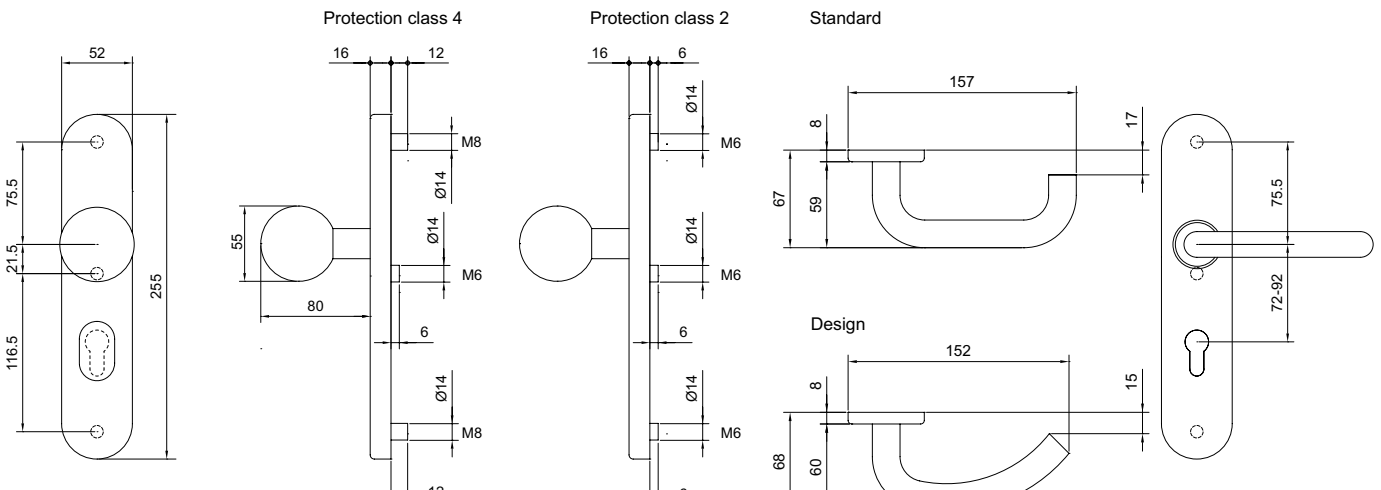
The advantages at a glance

- Usage category 3 according to DIN EN 1906,
- Security Class 2 / 4 in accordance with DIN EN 1906
- Suitable for fire and smoke protection doors (DIN 18273)
- Suitable as panic fitting according to DIN EN 179
- Suitable for DIN left and right
- Versatile use for cylinder cover as a pulling and drilling protection of the profile cylinder or for cylinder inserts for different cylinder projections as a protection against breaking of the cylinder and to suit the appearance of the escutcheon

Technical attributes	
Dimensions of external shield	255 x 52 x 15 mm (L x W x H)
Dimensions of inside shield	255 x 52 x 8 mm (L x W x H)
Spindle	9 mm
Distance	92 mm
Protection rating	2 / 4 according to DIN EN 1906
Category of use	3 according to DIN EN 1906
Cylinder cover / Cylinder insert	variable, can be ordered separately
Certified in compliance with	DIN EN 1906, DIN EN 179 and DIN 18273

Article / Feature	Order no.
Protection rating 4; profile cylinder; 92 mm; U-design handle shape	N 4 4 5 7 4 5 0 9 4 0 0 0 0 0
Protection rating 2; profile cylinder; 92 mm; U-design handle shape	N 4 4 5 7 4 5 0 9 2 0 0 0 0 0
Protection rating 4; profile cylinder; 92 mm; standard handle shape	N 4 4 2 7 4 5 0 9 4 0 0 0 0 0
Protection rating 2; profile cylinder; 92 mm; standard handle shape	N 4 4 2 7 4 5 0 9 2 0 0 0 0 0

Cylinder insert or cylinder cover and fixing screws and spindle must be ordered separately



Full leaf security fittings

Lever handle set furniture



Full leaf security fitting - long escutcheon version handle furniture

The full leaf security fitting is suitable for wood and steel doors with intrusion protection requirements, emergency exit function as well as fire and smoke protection requirements.

Compatible ASSA ABLOY products: 319-B / 819

The advantages at a glance

- Usage category 3 according to DIN EN 1906,
- Security Class 2 / 4 in accordance with DIN EN 1906
- Suitable for fire and smoke protection doors (DIN 18273)
- Suitable as panic fitting according to DIN EN 179
- Suitable for DIN left and right
- Versatile use for cylinder cover as a pulling and drilling protection of the profile cylinder or for cylinder inserts for different cylinder projections as a protection against breaking of the cylinder and to suit the appearance of the escutcheon

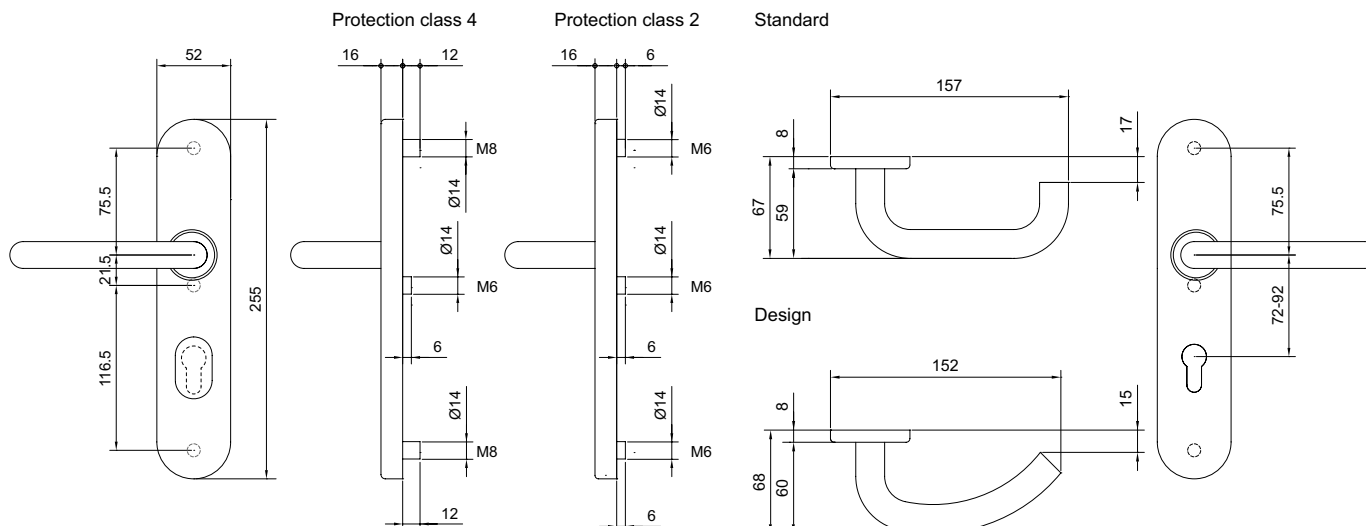
Technical attributes

Dimensions of external shield	255 x 52 x 15 mm (L x W x H)
Dimensions of inside shield	255 x 52 x 8 mm (L x W x H)
Spindle	9 mm
Distance	92 mm
Protection rating	2 / 4 according to DIN EN 1906
Category of use	3 according to DIN EN 1906
Cylinder cover / Cylinder insert	variable, can be ordered separately
Certified in compliance with	DIN EN 1906, DIN EN 179 and DIN 18273

Article / Feature

Article / Feature	Order no.
Protection rating 4; profile cylinder; 92 mm; U-design handle shape	N 4 4 5 2 4 5 0 9 4 0 0 0 0 0
Protection rating 2; profile cylinder; 92 mm; U-design handle shape	N 4 4 5 2 4 5 0 9 2 0 0 0 0 0
Protection rating 4; profile cylinder; 92 mm; standard handle shape	N 4 4 2 2 4 5 0 9 4 0 0 0 0 0
Protection rating 2; profile cylinder; 92 mm; standard handle shape	N 4 4 2 2 4 5 0 9 2 0 0 0 0 0

Cylinder insert or cylinder cover and fixing screws and spindle must be ordered separately



Full leaf security fittings

Half-set



Security fitting half-set - solid leaf long escutcheon version

The full leaf half-set is suitable, for example, as an outside escutcheon for the model 8000 panic bar. It satisfies requirements on intrusion protection, as well as fire and smoke protection.

Compatible ASSA ABLOY products: Knob half-set 72 mm: 309X / 409X / 509X / 609 / 329X / 529X / 629X ; Knob half-set 92 mm: 319E / 519E / 509E ; Handle half-set 72 mm: 709X / 729X ; Handle half-set 92 mm: 819E

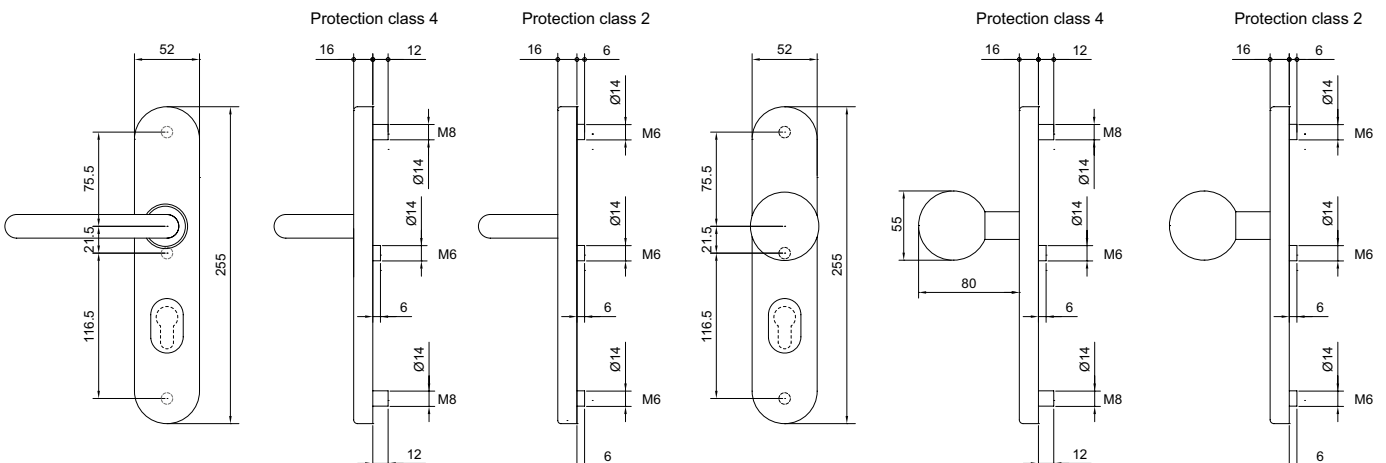
The advantages at a glance

- Usage category 3 according to DIN EN 1906,
- Security Class 2 / 4 in accordance with DIN EN 1906
- Suitable for fire and smoke protection doors (DIN 18273)
- Suitable as an outer fitting in accordance with DIN EN 1125
- Suitable for DIN left and right
- Versatile use for cylinder cover as a pulling and drilling protection of the profile cylinder or for cylinder inserts for different cylinder projections as a protection against breaking of the cylinder and to suit the appearance of the escutcheon

Technical attributes	
Escutcheon dimensions	255 x 52 x 15 mm (L x W x H)
Spindle	9 mm
Distance	72 mm / 92 mm
Protection rating	2 / 4 according to DIN EN 1906
Category of use	3 according to DIN EN 1906
Cylinder cover / Cylinder insert	variable, can be ordered separately
Certified in compliance with	DIN EN 1906 and DIN 18273

Article / Feature	Order no.
Protection rating 4; profile cylinder; 92 mm; U-standard handle shape	N 4 4 2 3 4 5 0 9 4 0 0 0 0 0
Protection rating 4; profile cylinder; 92 mm; knob	N 4 4 0 7 4 5 0 X 4 0 0 0 0 0
Protection rating 2; profile cylinder; 72 mm; U-standard handle shape	N 4 4 2 3 4 1 0 9 2 0 0 0 0 0
Protection rating 2; profile cylinder; 72 mm; knob	N 4 4 0 7 4 1 0 X 2 0 0 0 0 0

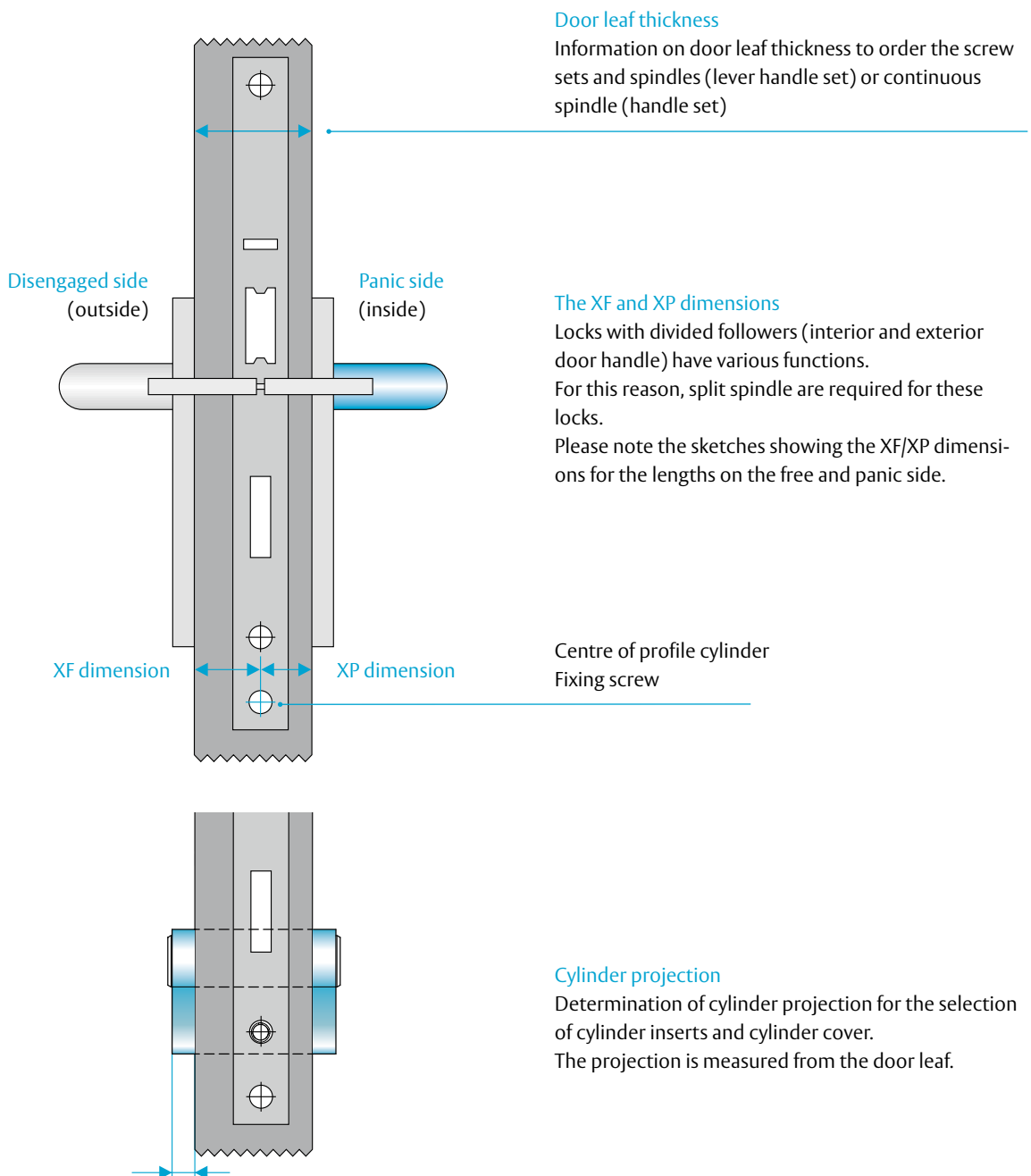
Cylinder insert or cylinder cover and fixing screws and spindle must be ordered separately



Technical explanations

Definitions for accessories

When ordering accessories, screws, spindles and cylinder covers, information on the door leaf thickness, cylinder projection or the XF and XP dimensions must be provided.



Security fitting accessories

cylinder cover



Standard profile cylinder cover

Cylinder cover for security fitting N44/N49, suitable for standard Euro profile cylinders, cylinder projection from door leaf 11 - 19 mm

Technical attributes	
Material	Galvanised steel
Finish	Stainless steel
Cylinder type	Euro Profile cylinder
Cylinder projection from the door leaf	11 - 19 mm

Article / Feature	Order no.
Cylinder cover for standard profile cylinder	N 5 0 2 1 X 1 0 0 0 0 0 0 0

Cylinder insert

**Cylinder insert profile cylinder for cylinder projection from door leaf 12 mm**

Cylinder insert for security fitting N44/N49, suitable for standard Euro profile cylinder

Technical attributes	
Finish	Stainless steel
Cylinder type	Euro Profile cylinder

Article / Feature	Order no.
For standard profile cylinder, for cylinder projection from door leaf 12 mm	N 5 0 2 0 X 1 0 0 1 2 0 0 0 0

**Cylinder insert profile cylinder for cylinder projection from door leaf 14 mm**

Cylinder insert for security fitting N44/N49, suitable for standard Euro profile cylinder

Technical attributes	
Finish	Stainless steel
Cylinder type	Euro Profile cylinder

Article / Feature	Order no.
For standard profile cylinder, for cylinder projection from door leaf 14 mm	N 5 0 2 0 X 1 0 0 1 4 0 0 0 0

**Cylinder insert profile cylinder for cylinder projection from door leaf 16 mm**

Cylinder insert for security fitting N44/N49, suitable for standard Euro profile cylinder

Technical attributes	
Finish	Stainless steel
Cylinder type	Euro Profile cylinder

Article / Feature	Order no.
For standard profile cylinder, for cylinder projection from door leaf 16 mm	N 5 0 2 0 X 1 0 0 1 6 0 0 0 0

**Cylinder insert profile cylinder for cylinder projection from door leaf 18 mm**

Cylinder insert for security fitting N44/N49, suitable for standard Euro profile cylinder

Technical attributes	
Finish	Stainless steel
Cylinder type	Euro Profile cylinder

Article / Feature	Order no.
For standard profile cylinder, for cylinder projection from door leaf 18 mm	N 5 0 2 0 X 1 0 0 1 8 0 0 0 0

**Cylinder insert profile cylinder for cylinder projection from door leaf 20 mm**

Cylinder insert for security fitting N44/N49, suitable for standard Euro profile cylinder

Technical attributes	
Finish	Stainless steel
Cylinder type	Euro Profile cylinder

Article / Feature	Order no.
For standard profile cylinder, for cylinder projection from door leaf 20 mm	N 5 0 2 0 X 1 0 0 2 0 0 0 0 0

Screw set



Security fitting screw set

Security fitting screw set, consisting of 3xM6 and 2x M8 screws for security fittings model N44/N49

Technical attributes	
Material	Galvanised steel
Screw type	Countersunk - M6 / M8
Hexagon socket	Sz. 4/5

Article / Feature	Order no.
Length 45 mm for door leaf thickness 35-40 mm	N 5 0 1 0 X X X 0 4 5 0 0 0 0
Length 50 mm for door leaf thickness 40-45 mm	N 5 0 1 0 X X X 0 5 0 0 0 0 0
Length 55 mm for door leaf thickness 45-50 mm	N 5 0 1 0 X X X 0 5 5 0 0 0 0
Length 60 mm for door leaf thickness 50-55 mm	N 5 0 1 0 X X X 0 6 0 0 0 0 0
Length 65 mm for door leaf thickness 55-60 mm	N 5 0 1 0 X X X 0 6 5 0 0 0 0
Length 70 mm for door leaf thickness 60-65 mm	N 5 0 1 0 X X X 0 7 0 0 0 0 0
Length 75 mm for door leaf thickness 65-70 mm	N 5 0 1 0 X X X 0 7 5 0 0 0 0
Length 80 mm for door leaf thickness 70-75 mm	N 5 0 1 0 X X X 0 8 0 0 0 0 0
Length 85 mm for door leaf thickness 75-80 mm	N 5 0 1 0 X X X 0 8 5 0 0 0 0
Length 90 mm for door leaf thickness 80-85 mm	N 5 0 1 0 X X X 0 9 0 0 0 0 0
Length 95 mm for door leaf thickness 85-90 mm	N 5 0 1 0 X X X 0 9 5 0 0 0 0

Door fitting accessories

For tubular frame security fitting



Split spindle controlled

Split free side spindle 9 x 9 mm, suitable for handle fitting and lock with split follower, DIN 18273 FS

Technical attributes	
Material	Galvanised steel
Dimensions spindle	9 mm

Article / Feature	Order no.
Length 55 mm; dimension XF: RR* 15-25 mm	N 5 0 0 3 9 X X 0 5 5 0 0 0 0
Length 65 mm; dimension XF: RR* 25-35 mm / VB** 15-35 mm	N 5 0 0 3 9 X X 0 6 5 0 0 0 0
Length 75 mm; dimension XF: RR* 35-45 mm	N 5 0 0 3 9 X X 0 7 5 0 0 0 0
Length 85 mm; dimension XF: RR* 45-55 mm / VB** 35-55 mm	N 5 0 0 3 9 X X 0 8 5 0 0 0 0

RR* = Tubular frame, VB** = Full leaf



Split spindle panic side

Split panic side spindle 9 x 9 mm, with screw, suitable for handle fitting and lock with split follower, DIN 18273 FS

Technical attributes	
Material	Galvanised steel
Dimensions spindle	9 mm

Article / Feature	Order no.
Length 50 mm; dimension XP: RR* 15-25 mm	N 5 0 0 2 9 X X 0 5 0 0 0 0 0
Length 60 mm; dimension XP: RR* 25-35 mm / VB** 15-35 mm	N 5 0 0 2 9 X X 0 6 0 0 0 0 0
Length 70 mm; dimension XP: RR* 35-45 mm	N 5 0 0 2 9 X X 0 7 0 0 0 0 0
Length 80 mm; dimension XP: RR* 45-55 mm / VB** 35-55 mm	N 5 0 0 2 9 X X 0 8 0 0 0 0 0

RR* = Tubular frame, VB** = Full leaf



Half spindle with roller

Half spindle with roller suitable for front door furniture with 9 mm square

Technical attributes	
Material	Galvanised steel
Dimensions spindle	9 mm

Article / Feature	Order no.
Length 90 mm for door leaf thickness RR* 30-40 mm	N 5 0 0 0 9 X X 0 9 0 0 0 0 0
Length 100 mm for door leaf thickness RR* 30-50 mm / VB** 30-50 mm	N 5 0 0 0 9 X X 1 0 0 0 0 0 0
Length 110 mm for door leaf thickness RR* 50-60 mm	N 5 0 0 0 9 X X 1 1 0 0 0 0 0
Length 120 mm for door leaf thickness RR* 60-70 mm / VB** 50-70 mm	N 5 0 0 0 9 X X 1 2 0 0 0 0 0
Length 130 mm for door leaf thickness RR* 70-80 mm	N 5 0 0 0 9 X X 1 3 0 0 0 0 0
Length 140 mm for door leaf thickness RR* 80-90 mm / VB** 70-90 mm	N 5 0 0 0 9 X X 1 4 0 0 0 0 0
Length 150 mm for door leaf thickness RR* 90-100 mm	N 5 0 0 0 9 X X 1 5 0 0 0 0 0
Length 160 mm for door leaf thickness RR* 100-110 mm / VB** 90-110 mm	N 5 0 0 0 9 X X 1 6 0 0 0 0 0

RR* = Tubular frame, VB** = Full leaf

Door fitting accessories

For tubular frame security fitting



Square full pin

Square full pin 9 x 9 mm, suitable for handle fitting and lock with end-to-end follower, DIN 18273 FS

Technical attributes

Material	Galvanised steel
Dimensions spindle	9 mm

Article / Feature

Article / Feature	Order no.
Length 110 mm for door leaf thickness RR* 25-45 mm	N 5 0 0 1 9 X X 1 1 0 0 0 0 0
Length 130 mm for door leaf thickness RR* 45-65 mm / VB** 25-60 mm	N 5 0 0 1 9 X X 1 3 0 0 0 0 0
Length 150 mm for door leaf thickness RR* 65-85 mm	N 5 0 0 1 9 X X 1 5 0 0 0 0 0
Length 160 mm for door leaf thickness RR* 85-95 mm / VB** 60-95 mm	N 5 0 0 1 9 X X 1 6 0 0 0 0 0

RR* = Tubular frame, VB** = Full leaf

Door fitting accessories

For full leaf security fitting



Split spindle controlled

Split free side spindle 9 x 9 mm, suitable for handle fitting and lock with split follower, DIN 18273 FS

Technical attributes	
Material	Galvanised steel
Dimensions spindle	9 mm

Article / Feature	Order no.
Length 65 mm; dimension XF: RR* 25-35 mm / VB** 15-35 mm	N 5 0 0 3 9 X X 0 6 5 0 0 0 0
Length 85 mm; dimension XF: RR* 45-55 mm / VB** 35-55 mm	N 5 0 0 3 9 X X 0 8 5 0 0 0 0
Length 105 mm; dimension XF: VB** 55-75 mm	N 5 0 0 3 9 X X 1 0 5 0 0 0 0

RR* = Tubular frame, VB** = Full leaf



Split spindle panic side

Split panic side spindle 9 x 9 mm, with screw, suitable for handle fitting and lock with split follower, DIN 18273 FS

Technical attributes	
Material	Galvanised steel
Dimensions spindle	9 mm

Article / Feature	Order no.
Length 60 mm; dimension XP: RR* 25-35 mm / VB** 15-35 mm	N 5 0 0 2 9 X X 0 6 0 0 0 0 0
Length 80 mm; dimension XP: RR* 45-55 mm / VB** 35-55 mm	N 5 0 0 2 9 X X 0 8 0 0 0 0 0

RR* = Tubular frame, VB** = Full leaf



Half spindle with roller

Half spindle with roller suitable for front door furniture with 9 mm square

Technical attributes	
Material	Galvanised steel
Dimensions spindle	9 mm

Article / Feature	Order no.
Length 90 mm for door leaf thickness RR* 30-40 mm	N 5 0 0 0 9 X X 0 9 0 0 0 0 0
Length 100 mm for door leaf thickness RR* 30-50 mm / VB** 30-50 mm	N 5 0 0 0 9 X X 1 0 0 0 0 0 0
Length 110 mm for door leaf thickness RR* 50-60 mm	N 5 0 0 0 9 X X 1 1 0 0 0 0 0
Length 120 mm for door leaf thickness RR* 60-70 mm / VB** 50-70 mm	N 5 0 0 0 9 X X 1 2 0 0 0 0 0
Length 130 mm for door leaf thickness RR* 70-80 mm	N 5 0 0 0 9 X X 1 3 0 0 0 0 0
Length 140 mm for door leaf thickness RR* 80-90 mm / VB** 70-90 mm	N 5 0 0 0 9 X X 1 4 0 0 0 0 0
Length 150 mm for door leaf thickness RR* 90-100 mm	N 5 0 0 0 9 X X 1 5 0 0 0 0 0
Length 160 mm for door leaf thickness RR* 100-110 mm / VB** 90-110 mm	N 5 0 0 0 9 X X 1 6 0 0 0 0 0

RR* = Tubular frame, VB** = Full leaf



Square full pin

Square full pin 9 x 9 mm, suitable for handle fitting and lock with end-to-end follower, DIN 18273 FS

Technical attributes	
Material	Galvanised steel
Dimensions spindle	9 mm

Article / Feature	Order no.
Length 130 mm for door leaf thickness RR* 45-65 mm / VB** 25-60 mm	N 5 0 0 1 9 X X 1 3 0 0 0 0 0
Length 160 mm for door leaf thickness RR* 85-95 mm / VB** 60-95 mm	N 5 0 0 1 9 X X 1 6 0 0 0 0 0

RR* = Tubular frame, VB** = Full leaf

Overview of the effeff and IKON brand range



Security locks

“Security lock” is the most accurate description of effeff locks. Security provides protection against intrusion, thus ensuring people and valuables are safe from harm. effeff lock products provide such comprehensive protection for you and your property. With their anti-panic function and self-locking systems, effeff’s security locks guarantee maximum mechanical security combined with maximum convenience for users.

- Mechanical security locks
- Microswitch security locks
- Motorized security locks
- Electric security locks
- Multipoint security locks
- Accessories



Escape route technology

effeff’s escape route systems fully comply with requirements for uncompromising personal safety and maximum protection for property. You can depend on effeff’s expertise and reliability in emergency situations. Our escape route systems guarantee safe operation of escape route doors, even though under normal circumstances doors may have integrated automatic locking systems or can only be opened by authorised users. Safer use of escape routes is assured at all times in the event of an emergency. effeff electric escape door control systems provide

protection and safety in places such as department stores, schools, kindergartens, office buildings, airports and exhibition halls. We also supply ideal solutions for specific uses such as restricted areas in hospitals.

- Escape door locking systems
- Escape door monitoring



MEDIATOR®

Entrance doors to apartment buildings – an issue which is always causing problems. Some people always lock the door, others never do. With MEDIATOR®, ASSA ABLOY Sicherheitstechnik now offers a simple, yet brilliant solution: This innovative system ensures doors always lock automatically as soon as they close due to the self-locking escape door lock and an effeff linear electric strike. The door can also be opened for visitors from inside apartments using the electric strike.

MEDIATOR® can do much more than this, however. It also ensures doors can be opened from the inside at any time using the door handle, even when doors are locked. This means everyone can leave the building in the event of an emergency, whether they have a key or not. Apartment block entrance doors can be retrofitted with MEDIATOR® quickly and easily at a very reasonable price.



Mechanical locking cylinders

Locking cylinders are the key component in a secure locking system and are IKON's core expertise. Available products include a wide range of articles for doors and windows in houses, company buildings and other properties. IKON locking cylinders are certified to current security standards and provide maximum protection against intrusion.

The patented profiles are based on IKON's decades of experience in precision mechanics and are effectively equipped to provide protection against customary methods used during break-ins or when tampering.

- Individual lockings
- Locking systems



Mechatronic locking cylinders

Mechanical and electronical components in locking cylinders and keys provide twice the protection in mechatronic locking systems. CLIQ technology enables access authorisations to be customised for each individual key – no need for wiring, just “plug and play”.

CLIQ technology is a highly efficient, highly intelligent locking system for companies, institutions and organisations suitable for all door types and almost all cylinder types

Easy reprogramming enables systems to be adjusted to new organisation at structures in a costefficient way; lost keys are simply eliminated from the system without the need to replace cylinders.



Electric strikes

With electric strikes, you can unlock a door at the push of a button – without needing to go to the actual door yourself.

effeff electric strikes offer high standards of security and convenience and a suitable electric strike for every installation location. This we can guarantee worldwide as effeff takes into consideration both national and international rules and regulations.

effeff wins over with its certified and security electric strikes due to its sophisticated solutions for smoke protection doors, fire protection doors and doors along escape routes. Our wide range for high security areas

provides solutions for glass doors, sliding doors and clean room doors as well as for explosive areas or seal door systems.

- Standard electric strikes
- Smoke and fire protection electric strikes
- Escape door electric strikes
- Special electric strikes
- Accessories

ASSA ABLOY is the global
leader in door opening solutions,
dedicated satisfying
end-user needs for security,
safety and convenience

ASSA ABLOY

ASSA ABLOY
Sicherheitstechnik GmbH

Bildstockstraße 20
72458 Albstadt
GERMANY
Tel. +49 7431 123-700
Fax +49 7431 123-258
albstadt@assaabloy.com

www.assaabloy.de