

Electric strike from effeff



Surface-Mounted Locking Solution
Model 6037


ASSA ABLOY

ASSA ABLOY, the global leader
in door opening solutions

The new surface-mounted electric strike

Modelle 6037/6137

Surface-Mounted Locking Solution Models 6037/6137

Models 6037 and 6137 are ideally suited for retro-fitting to doors. You can easily lock doors electrically using either a version with a long design (2,500 mm) or with a short design (400 mm). A handle is already integrated into the surface-mounted profile, so there is no need for an additional door fitting.

There is also a version available with an integrated keypad in the handle profile, which enables the door to be easily fitted and operated with an access control opening system.

Versions:

- 6137 short version (40 cm)
- 6037 long version (250 cm; can be shortened by customer)
- Optionally available with PIN keypad (6137 only)

Characteristics:

- Profile with concealed, integrated locking solution
- Fail-unlocked design
- Low power consumption
- Locking force: 3,000 N or 2 x 3,000 N
- Easy installation
- Adjustable with FaFix®
- Integrated recovery diode

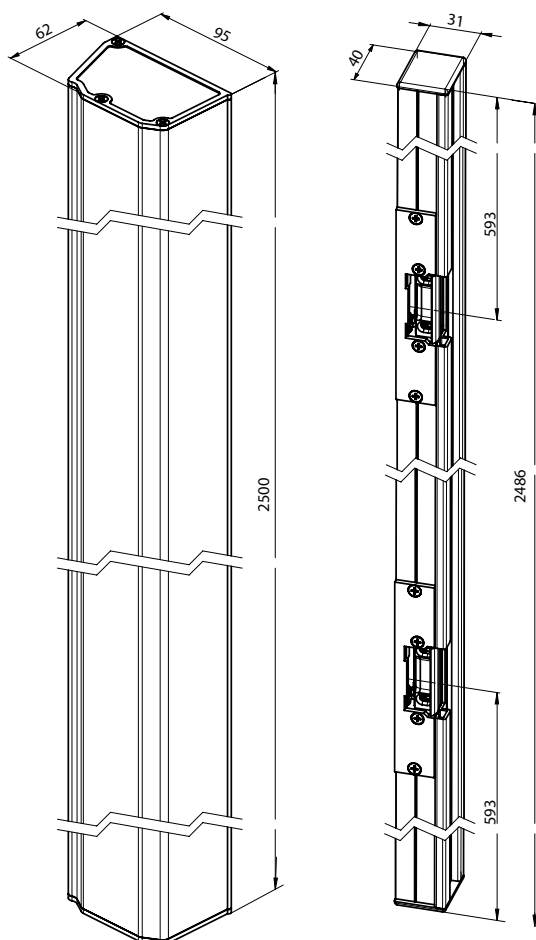
Optional:

- With monitoring contact
- With integrated keypad (6137 only)



Profile with integrated locking solution

Model 6037, fail-unlocked



Profile with Integrated Locking Solution 6037

Model 6037 is ideally suited for retrofitting to doors.

Surface-mounted electric locking solution in an aluminium profile consisting of:

- Handle profile (2,500 mm) with two integrated latch bolt mating components
- Frame profile with two integrated electric strikes

Overview of advantages

- Profile with concealed, integrated locking solution
- Optimum functional reliability
- Fail-unlocked design
- Low power consumption
- Locking force: 2 x 3,000 N
- Easy installation
- Adjustable with FaFix®
- 12 V / 24 V DC; switched using jumper on connector board
- Integrated protective diode – reversible polarity

Electrical data

Rated voltage	12V DC / 24V DC, switchable
Rated current	480 mA / 12V ; 240 mA / 24V
Rated operational voltage tolerance	+/- 10%

Performance characteristics

Adjustable latch (FF, FaFix®)	•
Monitoring contact (RR)	
Diode (05)	•
Fail-unlocked	•

Technical specifications

Holding force for locking solution	2 X 3000 N
Overall dimensions (handle profile)	2500 x 95 x 62 mm
Dimensions for frame profile	2486 x 40 x 31 mm
FaFix® - horizontal adjustment range	3 mm
Operating temperature range	-15 °C to +40 °C
Protective diode	Integrated
Material in profile	Aluminium, anodised
Material in locking system	Zinc diecast

DIN direction

Universal

1

Voltage

12/24V DC

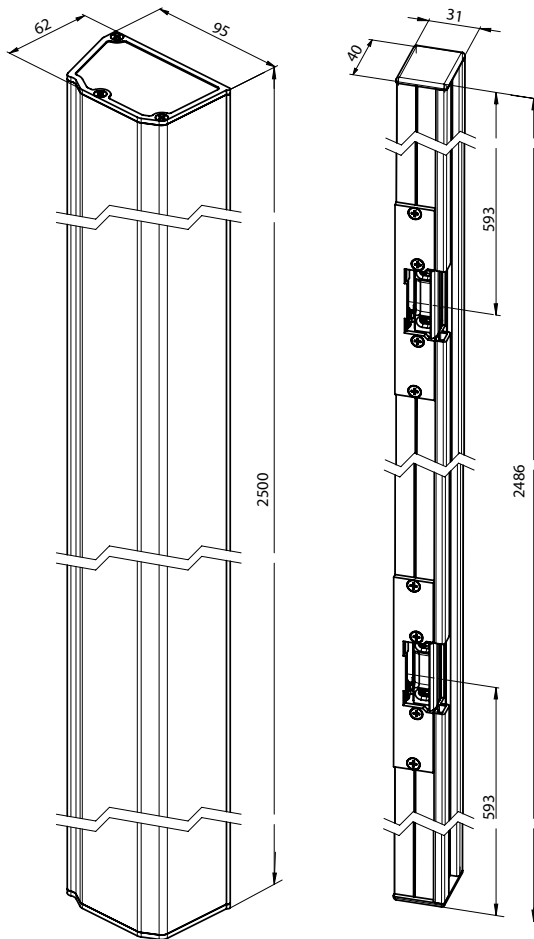
Q9

Order code

6037-----44 ** *

Profile with integrated locking solution

Model 6037R, fail-unlocked and monitoring contact



Profile with Integrated Locking Solution 6037R

Model 6037 is ideally suited for retrofitting to doors.

Surface-mounted electric locking solution in an aluminium profile consisting of:

- Handle profile (2,500 mm) with two integrated latch bolt mating components
- Frame profile with two integrated electric strikes

Overview of advantages

- Profile with concealed, integrated locking solution
- Optimum functional reliability
- Fail-unlocked design
- Low power consumption
- Locking force: 2 x 3,000 N
- Easy installation
- Adjustable with FaFix®
- 12 V / 24 V DC; switched using jumper on connector board
- Integrated protective diode – reversible polarity

Electrical data

Rated voltage	12V DC / 24V DC, switchable
Rated current	480 mA / 12V ; 240 mA / 24V
Rated operational voltage tolerance	+/- 10%
Switching capacity for monitoring contact	24 V / 1 A

Performance characteristics

Adjustable latch (FF, FaFix®)	•
Monitoring contact (RR)	•
Diode (O5)	•
Fail-unlocked	•

Technical specifications

Holding force for locking solution	2 X 3500 N
Overall dimensions (handle profile)	2500 x 95 x 62 mm
Dimensions for frame profile	2486 x 40 x 31 mm
FaFix® - horizontal adjustment range	3 mm
Operating temperature range	-15 °C to +40 °C
Protective diode	Integrated
Material in profile	Aluminium, anodised
Material in locking system	Zinc diecast

DIN direction

Universal	1
-----------	---

Voltage

12/24V DC	Q9
-----------	----

Order code

6037R----44 ** *

Profile with integrated locking solution

Model 6137, fail-unlocked



Profile with Integrated Locking Solution 6137

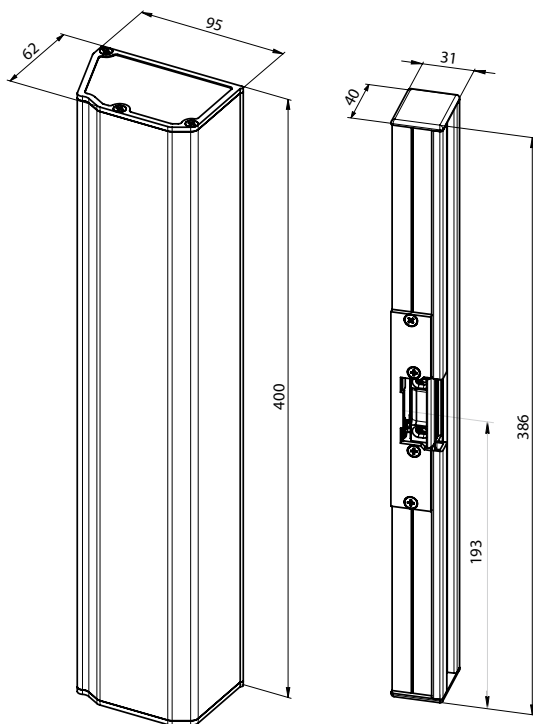
Model 6137 is ideally suited for retrofitting to doors.

Surface-mounted electric locking solution in an aluminium profile consisting of:

- Handle profile (400 mm) with integrated latch bolt mating component
- Frame profile with integrated electric strike

Overview of advantages

- Profile with concealed, integrated locking solution
- Optimum functional reliability
- Fail-unlocked design
- Low power consumption
- Locking force: 3,000 N
- Easy installation
- Adjustable with FaFix®
- Integrated recovery diode



Performance characteristics

Adjustable latch (FF, FaFix®)	•
Monitoring contact (RR)	
Diode (05)	•
Fail-unlocked	•

Technical specifications

Holding force for locking solution	3000 N
Overall dimensions (handle profile)	400 x 95 x 62 mm
Dimensions for frame profile	386 x 40 x 31 mm
FaFix® - horizontal adjustment range	3 mm
Operating temperature range	-15 °C to +40 °C
Protective diode	Integrated
Material in profile	Aluminium, anodised
Material in locking system	Zinc diecast

DIN direction

Universal	1
-----------	---

Voltage

12V DC	E9
24V DC	F9

Order code

6137-----44	**	*
-------------	----	---

Profile with integrated locking solution

Model 6137R, fail-unlocked and monitoring contact



Profile with Integrated Locking Solution 6137R

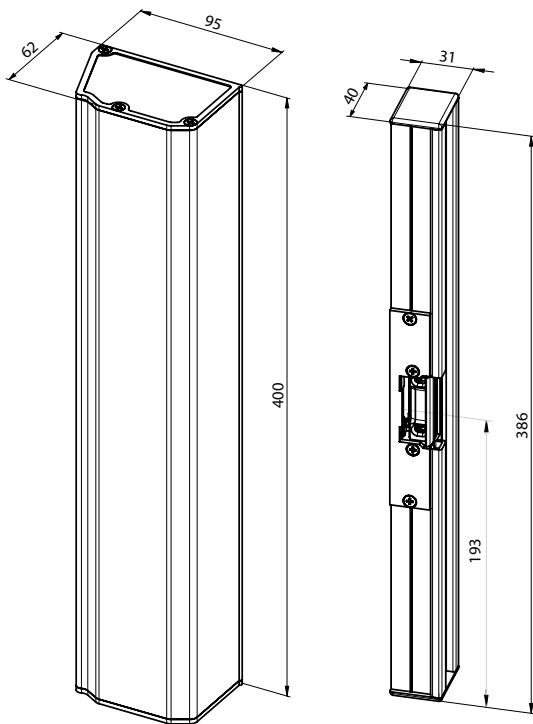
Model 6137R is ideally suited for retrofitting to doors.

Surface-mounted electric locking solution in an aluminium profile consisting of:

- Handle profile (400 mm) with integrated latch bolt mating component
- Frame profile with integrated electric strike

Overview of advantages

- Profile with concealed, integrated locking solution
- Optimum functional reliability
- Fail-unlocked design
- Low power consumption
- Locking force: 3,000 N
- Easy installation
- Adjustable with FaFix®
- Integrated recovery diode



Electrical data	12V DC	24V DC
Rated voltage	12V DC	24V DC
Rated current	240 mA	150 mA
Rated operational voltage tolerance	+/- 10%	+/- 10%
Switching capacity for monitoring contact	24 V / 1 A	24 V / 1 A

Performance characteristics

- Adjustable latch (FF, FaFix®)
- Monitoring contact (RR)
- Diode (05)
- Fail-unlocked

Technical specifications

Holding force for locking solution	3000 N
Overall dimensions (handle profile)	400 x 95 x 62 mm
Dimensions for frame profile	386 x 40 x 31 mm
FaFix® - horizontal adjustment range	3 mm
Operating temperature range	-15 °C to +40 °C
Protective diode	Integrated
Material in profile	Aluminium, anodised
Material in locking system	Zinc diecast

DIN direction

Universal 1

Voltage

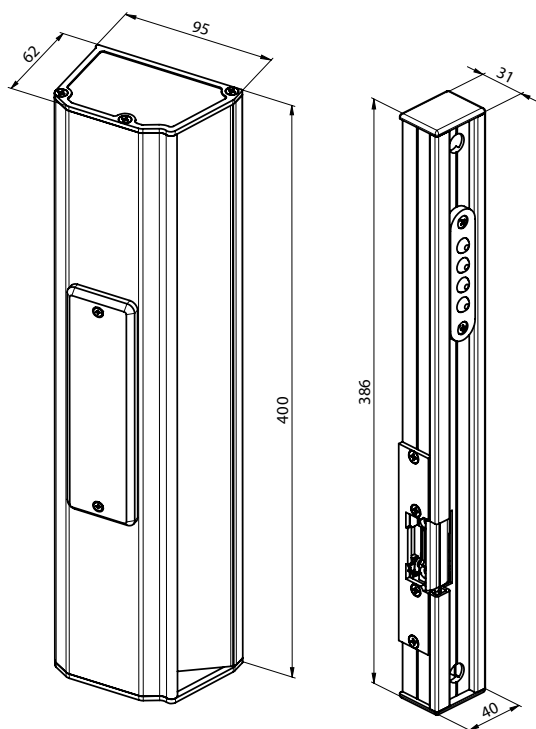
12V DC E9
24V DC F9

Order code

6137R----44 ** *

Profile with integrated locking solution with integrated PIN keypad

Model 6137 , fail-unlocked



Profile with Integrated Locking Solution and Integrated PIN Keypad 6137

Model 6137 with an integrated PIN keypad is ideally suited for retrofitting to doors. It features an integrated PIN keypad in the handle profile, which makes it easier to retrofit an access control unit to the door.

Surface-mounted electric locking solution in an aluminium handle profile consisting of:

- Handle profile (400 mm) with integrated latch bolt mating component, integrated keypad and current transmitter
- Frame profile with integrated electric strike and current transmitter

Overview of advantages

- Profile with concealed, integrated locking solution
- Integrated PIN keypad in the handle profile
- Optimum functional reliability
- Fail-unlocked design
- Low power consumption
- Locking force: 3,000 N
- Easy installation
- Adjustable with FaFix®
- Integrated recovery diode
- 1.5 m connecting cable to connect Access Control Unit REL-AC015-002

Electrical data

Rated voltage	12 V DC
Rated current	240 mA
Rated operational voltage tolerance	+/- 10%
Switching capacity for monitoring contact	24 V / 1 A

Performance characteristics

Adjustable latch (FF, FaFix®)	•
Monitoring contact (RR)	•
Diode (05)	•
Fail-unlocked	•

DIN direction

Universal	1
12V DC	E9

Order code

6137--C--44 ** *

Technical specifications

Holding force for locking solution	3000 N
Overall dimensions (handle profile)	400 x 95 x 62 mm 6137 6137 with keypad 400 x 95 x 69 mm
Dimensions for frame profile	386 x 40 x 31 mm
FaFix® - horizontal adjustment range	3 mm
Operating temperature range	-15 °C to +40 °C
Material in profile	Aluminium, anodised
Material in locking system	Zinc diecast

Technical data for keypad

Rated voltage	5 - 16 V DC from access control
Rated current	Standby: 15 mA at 12 V DC Maximum: 40mA at 16 V DC
Dimensions	155 x 44 x 6,5 mm
Operating temperature range	-30 °C to +65 °C
Protection rating	IP 68
Recommended access control unit	REL-AC015-002
Recommended power supply	12 V DC - 1 A

ASSA ABLOY is the global
leader in door opening solutions,
dedicated to satisfying
end-user needs for security,
safety and convenience



ASSA ABLOY
Sicherheitstechnik GmbH

Bildstockstraße 20
72458 Albstadt
GERMANY
Tel. +49 7431 123-700
Fax: +49 7431 123-258
albstadt@assaabloy.com

www.assaabloy.de