

# DC700G- FMS- K

Free-Motion® compact door closer with Cam-Motion® technology, free-swing function and integrated smoke dedector, frame mounting hinge side

Free-Motion® compact door closer with Cam-Motion® technology, free-swing function and integrated smoke dedector, frame mounting hinge side

## Product description

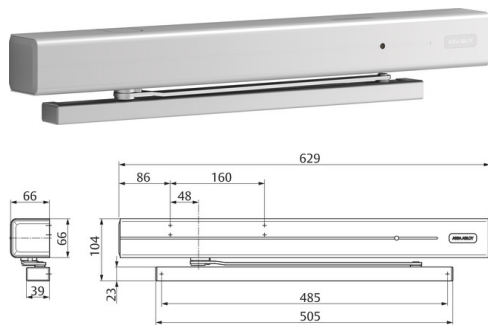
- Fulfils barrier-free building requirements (EA / CEN TR 15894)

## Overview of Advantages

- Thermodynamic valves for consistent performance

## The advantages at a glance

Customer segment	Advantages
Project planners	Extensive range of uses Modern design Compact design Fulfils barrier-free building requirements (EA / CEN TR 15894) Comprehensive functions, standard and optional For doors with a door width up to 1,400 mm
Builders	Quick and easy installation Quickly and easily adjustable Can be used for left and right handed doors for direct frame installation on hinge side For doors with a door width up to 1,400 mm Pre-assembled component modules for quick installation Integrated functions test button
Trade	Reduced inventory costs due to modular product range Complementary accessories available for the whole product range
User	Free-swing function starting from a door opening angle $\geq 0^\circ$ . Easy door opening without the resistance of the door closer, is approved for use on fire doors Largely unaffected by temperature fluctuations because of thermodynamic valves Easier door opening and improved accessibility due to rapidly decreasing torque Automatic alarm reset



## Technical data

Rated current consumption	Ca. 100mA
Closing force	EN 3-6
Door width up to	1400 mm
Handing	Left / right handed
Closing speed	Variable between 170°-10°
Latching speed	Variable between 10°-0°
Max. door opening angle	About 170° - mechanically limited
Required power supply	230 V supply voltage
Continuous duty	100 %
Class of protection	IP20
Suitable for fire doors	Yes
Certified in compliance with	EN 1155
General technical approval as Arrester system	Z-6.500-2364
Length	629 mm
Height	66 mm
Depth	66 mm
Color	Silver EV1

Article number	DC700FMSK-DEV1-
EAN-Number	4042203690530