

Free-Motion® door closer with Cam-Motion® technology and free-swing function

Free-Motion® door closer with Cam-Motion® technology and free-swing function

Product description

- Free-Motion® door closer with free-swing function starting from a door opening angle 0° , and height adjustable guide rail
- DIBt tested as a hold-open system with various smoke detector systems
- Certified in compliance with EN 1155/1154, size 3-6
- Suitable for fire and smoke protection doors
- For single action doors up to 1400 mm wide
- Variants for door leave mounting and frame mounting on hinge side and frame mounting on opposite hinge side
- Fulfils barrier-free building requirements (EA / CEN TR 15894)

Overview of Advantages

- Easy, initial door opening due to the rapidly decreasing opening force. When active, the free-swing function enables permanent opening of the door without the resistance of the door closer
- The door remains in free swing mode until the power supply is switched off
- Door leaf and frame mounting on hinge side, DIN left and DIN right doors
- Axis continuously height adjustable up to 14 mm
- Opening angle up to 170°
- Variable adjustable closing force
- Thermodynamic valves for consistent performance
- Effective latching speed range adjustable
- Standard colours: silver EV1, white similar to RAL9016, stainless steel design
- Customised finishes available on request

Characteristics for guide rail G795

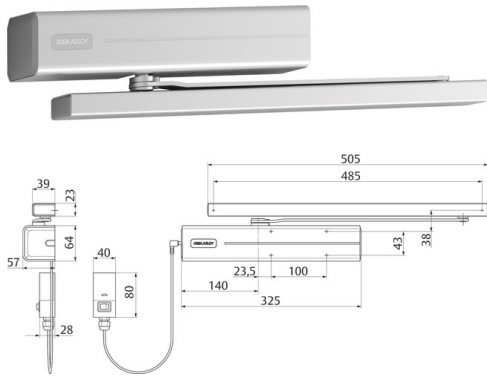
- Height adjustable by 2 mm for tolerance
- Concealed fastening screws

Accessories/Individual parts

- Free-Motion® guide rail G795Silver EV1 DCG795----DEV1-
- Mounting plate A130For Guide Rail G193, G195, and G795, silver EV1 DCA130----EV1-
- Opening damper A153For Guide Rails G193/G195/G795/G893 DCA153-----
- Interrupter push-buttons 1317-10With red actuating field; inscription "lock door"; flush-mounted 1317-10-----00
- Interrupter push-buttons 1316-10With red actuator field; inscription "Tür schließen" (Close door); surface-mounted 1316-10-----00
- Test book D00407Escape route technology D00407
- Identification shield 2.1502For arrester systems; inscription "periodic monitoring" 2.1502-00040000
- Identification shield 2.1502For arrester systems; inscription "acceptance test" 2.1502-00560500

The advantages at a glance

Customer segment	Advantages
Project planners	Extensive range of uses: Fire and smoke protection doors as well as standard doors Modern design Compact design Fulfils barrier-free building requirements (EA / CEN TR 15894) Same dimensions and design with and without mounting plate Comprehensive functions, standard and optional For doors with a door width up to 1,400 mm
Builders	One drilling template overall Adjustable to nearly all door and frame types Quick and easy installation Quickly and easily adjustable Suitable for left and right handed doors for standard and frame mounting on hinge side Connection box can be concealed or surface mounted For doors with a door width up to 1,400 mm
Trade	Reduced inventory costs due to modular product range Complementary accessories available for the whole product range
User	Free-swing function starting from a door opening angle $\geq 0^\circ$. Easy door opening without the resistance of the door closer, is approved for use on fire doors Easier door opening and improved accessibility due to rapidly decreasing torque Largely unaffected by temperature fluctuations because of thermodynamic valves

Technical data

Rated current consumption	ca. 90 mA
Closing force	EN 3-6
Door width up to	1400 mm
Suitable for fire doors	Yes
Handing	Left / right handed
Mounting method	Yes, with connection-box
Frame installation on non-hing side	Yes
Closing speed	Variable between 170°-10°
Latching speed	Variable between 10°-0°
Max. door opening angle	About 170° - mechanically limited
Required power supply	24 V DC
Continuous duty	100%
Class of protection	IP 43
Certified in compliance with	DIN EN 1155 / 1154
CE marking for building products	Yes
Length	325 mm
Height	64 mm
Depth	57 mm
Color	Silver EV1
Article number	DC700FM---DEV1-
EAN-Number	4042203687332