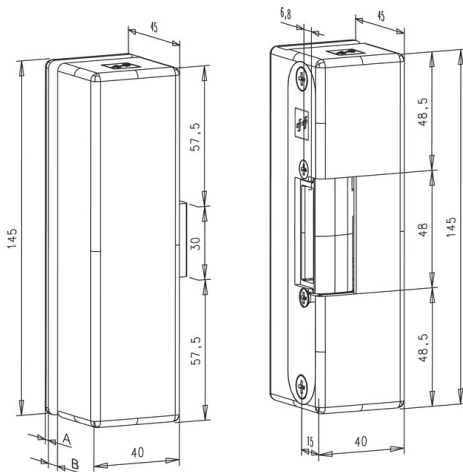




Technical data

Handing	Universal
Monitoring contact (RR)	Yes
Fail-locked	Yes
Break-in resistance	6500 N
Glas door thickness	9 mm
Width	45 mm
Operating temperature range	-15 °C to +40 °C
Installation position	Vertical and horizontal
DIN-direction	universal
Article number	9314URVGL9--Q31
EAN-Number	4042203426870



		Glasstärke						
		8	9	10	11	12	13	15
Variable Maße	A	5	4,5	4	3,5	3	2,5	2
	B	8,1	9,1	10,1	11,1	12,1	13,1	15,1