

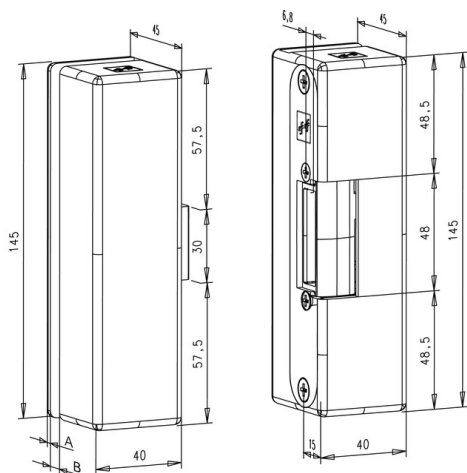


#### Technical data

Monitoring contact (RR)	Yes
Fail-unlocked	Yes
Break-in resistance	6500 N
Glas door thickness	12 mm
Width	45 mm
Operating temperature range	-15 °C to +40 °C
Installation position	Vertical and horizontal

#### Variants that can be ordered

Order number	Description
9334URVGL12-Q91	Without striking plate, 12/24 V DC



#### Glasstärke

Variable Maße	8	9	10	11	12	13	15
A	5	4,5	4	3,5	3	2,5	2
B	8,1	9,1	10,1	11,1	12,1	13,1	15,1