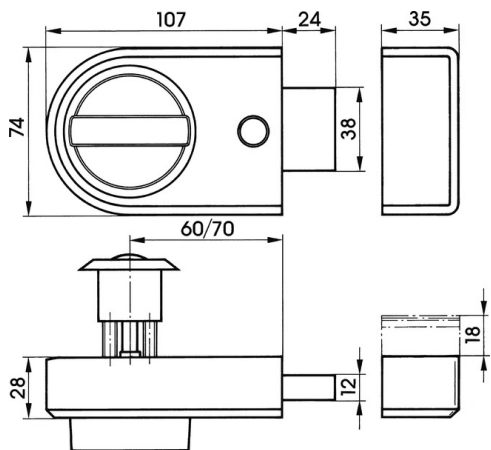


Rim locks VERSO® CLIQ V131

With internal thumbturn and V063 external cylinder -without key-

IKON
ASSA ABLOY



Overview of Advantages

- With robust bolt and solid lock case

Product description

- Available as mechanical or electromechanical version (V=)
- Visual locking display (green/red)
- Available in color: silver grey (FB=SGR) similar to RAL 9006, white (FB=WS) similar to RAL 9016 and brown (FB=BN) similar to RAL 8019
- Standard housing colour silver grey (FB=SGR)
- Lock and lock case made of die-cast anti-corrosive zinc
- Solid brass bolt, double turn, 24 mm projection
- Adjustable backset 60/70 mm
- Suitable for DIN left (S=R) or DIN right (S=L)
- For door leaf thicknesses from 36 to 45 mm
- For rebated and non-rebated doors
- Brass cylinder housing components
- Standard finish, satin nickel-plated (OF=MV)
- Tumbler elements with special wear-resistant alloy
- Optionally available for use in potentially-explosive atmospheres in Zone 1 (Ex II 2G) ATEX=II 2G Ex ib IIC T4

Scope of delivery

- 1 rim lock
- 1 external cylinder V063
- 1 shim ring
- Lock case shims (2x 1 mm, 1x 3 mm and 1x 13 mm) for height adjustment up to 18 mm

Ordering Information

- Please include the desired color (FB=) as well as the DIN-door direction (S=) in your order.

Suitable ASSA ABLOY products

- Maintenance spray VZ03
- Maintenance spray VZ05

Variants that can be ordered

Article number	FB=	S=	OF=	V=
V131	SGR	L	MV	M
	SGR	R	MV	M
	SGR	L	MV	E1
	SGR	R	MV	E1
	SGR	L	MV	E2
	SGR	R	MV	E2