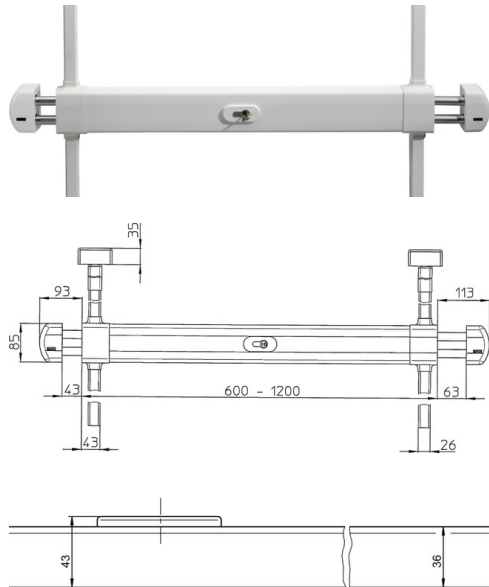


Without security link and with two vertical blocking elements



Product description

- Provides optimum protection against intrusion and levering open of the door on hinge and lock side
- Dual dead bolt system (DRS) - With two fully-extended dead bolts on each side for four-fold security
- The addition of two vertical blocking elements (left and right) ensures six-fold security
- Vertical blocking element(s): Dead bolt throw via rods, double turn, 17 mm
- Rods and rod covers for door height up to 2400 mm (1 x approx. 1000 mm + 1 x approx. 1400 mm)
- Suitable for door widths from 600 to 1200 mm
- Solid hardened steel dead bolt
- Dead bolt 80 mm
- Freely-rotating dead bolt impedes tampering with tools
- Available in color: silver grey (FB=SGR) similar to RAL 9006, white (FB=WS) similar to RAL 9016 and brown (FB=BN) similar to RAL 8019
- The same locking direction as for the main lock can be achieved due to a simple conversion of the locking direction; suitable for DIN left and right applications
- Material: steel

Scope of delivery

- 1 Protector bar with fixing material (without security escutcheon and cylinder)
- 2 vertical units (consisting of two (dead bolt 1080 + 1080;VAR=DRS + lock case 1077 + connection rod 1954)

Note

- VdS approval only in combination with a security escutcheon and a VdS-A approved locking cylinder
- Profile cylinder not included

Suitable ASSA ABLOY products

- Profile-double cylinder .531
- Profile-knob cylinder .534,KNF=1
- Profile-knob cylinder .534,KNF=2
- Profile-knob cylinder .534,KNF=7
- Profile-knob cylinder .534,KNF=9
- Profile-knob cylinder .534,KNF=91
- Profile-knob cylinder .534,KNF=92
- Spyhole 9M35

Accessories/Individual parts

- Security escutcheon with cylinder cover 9M28
- Security escutcheon with cylinder cover S464
- Mounting set DRS 8442
- Bolt for multipoint locking systems 1080

Variants that can be ordered

Article number	FB=
8448 49098	SGR
8448 49099	WS
8448 49100	BN