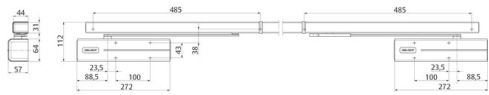


Door closer with Cam-Motion® technology, electromechanical hold-open device and integrated mechanical door selector; non-hinge side



Door closer with Cam-Motion® technology, electromechanical hold-open device and integrated mechanical door selector; non-hinge side

### Product description

- Door closer with Cam Motion® technology with electromechanical hold-open mode and integrated mechanical door selector for two-leaf doors, non-hinge side
- Certified in compliance with EN 1155/1158, size 3-6
- Mechanical door coordinator in continuous guide rail
- Hold-open angle continuously adjustable between 80°-110°
- Hold-open device is traversable
- All components integrated into continuous guide rail
- Fulfills barrier-free building requirements (DIN 18040 / CEN TR 15894)
- Suitable for fire and smoke protection doors with hinge distance up to 2800 mm
- DIBt approval with different smoke detection systems

### Overview of Advantages

- Can be used for left and right-handed doors
- Thermodynamic valves for consistent performance
- Regular mounting on non-hinge side, can be used for left and right-handed doors
- Traversable hold-open device, continuously adjustable between ca. 80° - 110°
- For doors with panic function in conjunction with the driving flap A102
- Symmetric and asymmetric door partition possible, minimum width of the inactive leaf = 400 mm
- Door opening angle up to approx. 120°, maximum opening angle limited
- Guide rail height adjustable by 2 mm for tolerance
- Axis continuously height adjustable up to 14 mm
- Variable adjustable closing force
- Effective backcheck and latching speed range adjustable
- Electro-mechanical hold-open device
- Door coordinator based on wedge system
- Continuously adjustable holding force
- Closing speed, latching speed and backcheck adjustable via front facing regulating valves
- Standard colours: silver EV1, white similar to RAL9016, stainless steel design
- Customised finishes available on request

### Note

- Guide rail G-CO-CE
- Facts for door closer see DC700

### Accessories/Individual parts

- Carry bar A102 For two-leaf doors DCA102-----EV1-
- Mounting plate A180 For guide rail G-CO-C and G-CO-CE, doors up to 2500 mm wide, silver EV1 DCA180-----EV1-
- Mounting plate A180 For guide rail G-CO-C and G-CO-CE, doors up to 2500 mm wide, white, similar to RAL9016 DCA180-----9016
- Angle bracket A181 For guide rail G-CO-C and G-CO-CE, doors up to 2500 mm wide, silver EV1 DCA181-----EV1-
- Angle bracket A181 For guide rail G-CO-C and G-CO-CE, doors up to 2500 mm wide, white, similar to RAL9016 DCA181-----9016
- Opening damper A188 Opening damper A188 DCA188-----

### The advantages at a glance

Customer segment	Advantages
Project planners	Extensive range of uses: Fire and smoke protection doors as well as standard doors Modern design Compact design Hold-open device is traversable Mechanical door coordinator for optimum functional reliability
Builders	Simple, rapid installation and adjustment Symmetrical drilling template Can be used for left and right handed doors for standard mounting on non-hinge side Adjustable to nearly all door and frame types Optimum reliability and service life for door coordinator
Trade	Reduced inventory costs due to modular product range
User	Adjustable operating force, to meet door construction requirements and user need Mechanical door coordinator for optimum functional reliability Optimum usage convenience thanks to controlled closing of door in correct order

### Technical data

Door closer with Cam-Motion® technology, electromechanical hold-open device and integrated mechanical door selector; non-hinge side

Rated current consumption	2 x ca. 75 mA
Required power supply	24 V DC
Continuous duty	100%
Suitable for fire doors	Yes
Class of protection	IP 43
Max. door opening angle	ca. 120°
Certified in compliance with	EN 1155/1158
CE marking for building products	Yes
Length	Depending on the hing distance
Height	30 mm
Depth	44 mm
Net_weight	4,5 kg

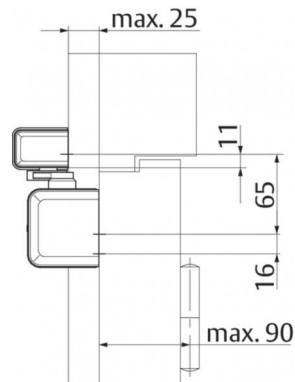
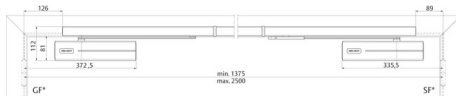
#### Variants that can be ordered

Order number	Description
DCG-22-22NDEV1-	Guide rail with door coordinator, hold-open device on both sides. Doors up to 2500 mm wide, silver EV1
DCG-22-22ND9016	Guide rail with door coordinator non-hinge side, hold-open device on both sides, doors up to 2500 mm wide, white, similar to RAL9016
DCG-22-22ND35--	Guide rail with door coordinator, hold-open device on both sides. Doors up to 2500 mm wide, Stainless steel design
DCG-22-22NDXXXX	Guide rail with door coordinator, hold-open device on both sides. Doors up to 2500 mm wide, customised finish

Door closer with Cam-Motion® technology, electromechanical hold-open device and integrated mechanical door selector; non-hinge side

### view construction

#### Required space on doors



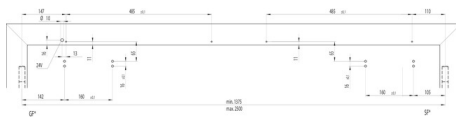
Active leaf DIN right shown in the diagram

Active leaf DIN left is the reverse

GF\* = Active leaf

SF\* = Passive leaf

#### Installation dimensions



Active leaf DIN right shown in the diagram

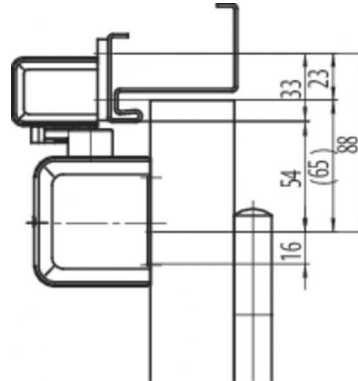
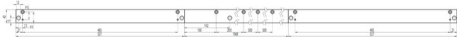
Active leaf DIN left is the reverse

GF\* = Active leaf

SF\* = Passive leaf

Door closer with Cam-Motion® technology, electromechanical hold-open device and integrated mechanical door selector; non-hinge side

### Mounting plate A180



### Angle bracket A181

