

Free-Motion® door closer with Cam-Motion® technology, free-swing function and integrated mechanical door selector

Free-Motion® door closer with Cam-Motion® technology, free-swing function and integrated mechanical door selector

Product description

- Suitable for fire and smoke protection doors
- For single action doors up to 1400 mm wide
- Fulfils barrier-free building requirements (EA / CEN TR 15894)

Overview of Advantages

- Thermodynamic valves for consistent performance

Note

- Guide rail G-CO-FM
- Facts for door closer see DC700

Accessories/Individual parts

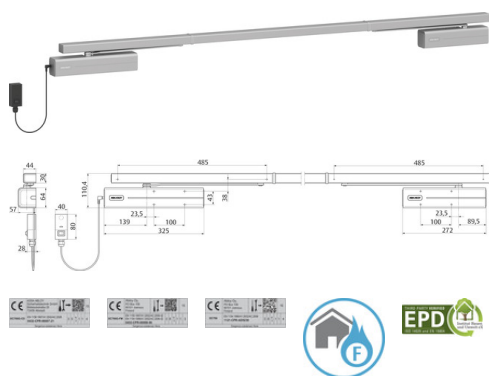
- Mounting plate A160 For Guide Rails G-CO(-E) and G-CO-FM, doors up to 3200 mm wide, silver EV1 DCA160-----EV1-
- Smoke detector activation device RZ100Silver EV1 DCRZ100---DEV1-
- Ceiling smoke detector RZ101ORS142 with base, white DCRZ101-----9010
- Smoke detector 60060 Optical smoke detector with base 60060-----00
- Arrester system door control unit 92020-10 Up to 650 mA for external devices 92020-10-----00
- Interrupter push-buttons 1317-10 With red actuating field; inscription "lock door"; flush-mounted 1317-10-----00
- Interrupter push-buttons 1316-10 With red actuator field; inscription "Tür schließen" (Close door); surface-mounted 1316-10-----00
- Opening damper A188 Opening damper A188 DCA188-----

The advantages at a glance

Customer segment	Advantages
Project planners	Extensive range of uses: Fire and smoke protection doors as well as standard doors Modern design Compact design Mechanical door coordinator for optimum functional reliability Fulfils barrier-free building requirements (EA / CEN TR 15894) For doors with a door width up to 1,400 mm
Builders	One drilling template overall Simple, rapid installation and adjustment Can be used for left and right handed doors for standard mounting on hinge side Adjustable to nearly all door and frame types Optimum reliability and service life for door coordinator For doors with a door width up to 1,400 mm Pre-assembled component modules for quick installation
Trade	Reduced inventory costs due to modular product range
User	Optimum usage convenience thanks to controlled closing of door in correct order Free-swing function starting from a door opening angle 0°. Easy door opening without the resistance of the door closer, is approved for use on fire doors Easier and more comfortable opening of the door due to rapidly creasing opening force even at activation of Free-Motion® function

Technical data

Rated current consumption	ca. 90 mA
Required power supply	24 V DC
Continuous duty	100% ED
Class of protection	IP 43
Max. door opening angle hinge side	ca. 170°
Certified in compliance with	EN 1158
Length	Depending on the hing distance
Height	30 mm
Depth	44 mm
Suitable for fire doors	Yes
CE marking for building products	Yes



DC700G- CO- FM

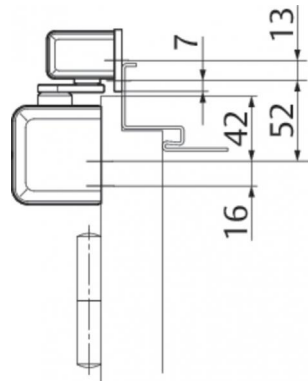
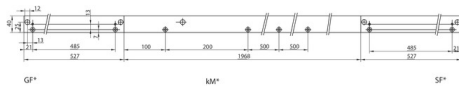
Free-Motion® door closer with Cam-Motion® technology, free-swing function and integrated mechanical door selector

Color Stainless steel design

Article number DCG-23-40-D35--

Free-Motion® door closer with Cam-Motion® technology, free-swing function and integrated mechanical door selector

Mounting Plate A160

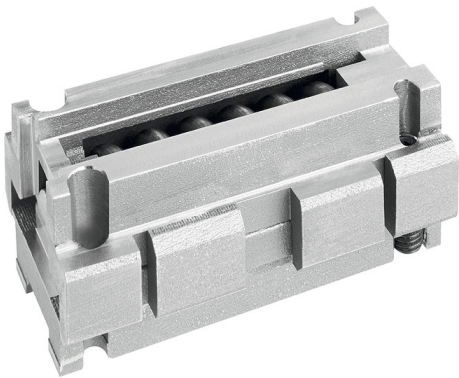


SF* = Passive leaf

GF* = Active leaf

KM* = Middle section length can be shortened

Opening damper A188



Helps to prevent the door and door handle from hitting a return wall.
Simple installation in the guide rail, but doesn't replace the need for a door stop

Flush-mounted release button 1317-10



Flush-mounted interrupter pushbutton with red actuator field, labelled 'Close door'. For controlling fail-unlocked components, such as holding magnets and fail-unlocked strikes, and as a manual switch / control for arrester systems. Changeover contact switch

Surface-mounted release button 1316-10

Surface-mounted interrupter pushbutton with red actuator field, labelled 'Close door'. For controlling fail-unlocked components, such as holding magnets and fail-unlocked strikes, and as a manual switch / control for arrester systems. Changeover contact switch.

Notice

According to local laws/requirements, an external release button is mandatory for Free-Motion® door closers with hold open devices