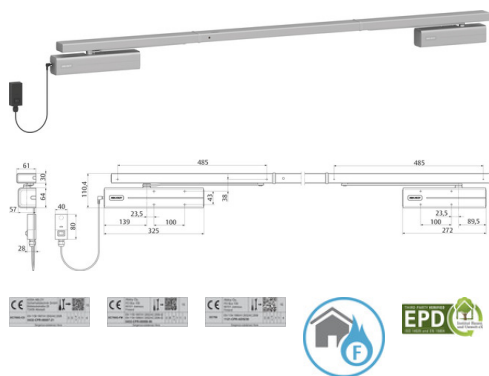


Free-Motion® door closer system for double-leaf doors with free-swing function on the active leaf, starting from a door release angle of 1°, Cam-Motion® door closer (DC700) on the inactive leaf



Free-Motion® door closer system for double-leaf doors with free-swing function on the active leaf, starting from a door release angle of 1°, Cam-Motion® door closer (DC700) on the inactive leaf

Product description

- Free-Motion® door closer for double leaf doors with free-swing function on the active leaf, starting from a door opening angle of 1°, Cam-Motion® door closer on the inactive leaf with integrated door coordinator and smoke detector
- DIBt as a hold-open system Z-6.500-2364
- Tested in accordance with EN 1155/1158
- Mechanical door coordinator in continuous guide rail
- Fulfils barrier-free building requirements (DIN 18040 / CEN TR 15894)
- Smoke switch with contamination indicator and alarm threshold monitoring
- Fulfils barrier-free-requirement (EA / CEN TR 15894)
- Suitable for fire and smoke protection doors with a hinge distance between 1400 and 2500 mm (3200 mm)

Overview of Advantages

- Easy, initial door opening due to the rapidly decreasing opening force. When active, the free-swing function enables permanent opening of the door without the resistance of the door closer
- The active leaf remains freely movable and is automatically closed only in case of fire by the integrated smoke switch with the switching off of the supply voltage, the inactive leaf is self-closing and closes automatically after each opening process
- Integrated door selector for closing of the doors in the correct sequence in all operating modes
- Optical smoke detector according to the scattered light principle, status indication by LED: operating mode, alarm, error
- Connection possibility for manual release button – mandatory according to the DIBt approval in Germany – and additional smoke detector
- Guide rail height adjustable by 2 mm for tolerance
- Opening angle up to 170°
- Axis continuously height adjustable up to 14 mm
- Variable adjustable closing force
- Thermodynamic valves for consistent performance
- Effective latching speed range adjustable
- Standard colours: silver EV1, white similar to RAL9016, stainless steel design
- Customised finishes available on request

Note

- G-CO-FMS guide rail
- Facts for door closer see DC700G-FM

Accessories/Individual parts

- Mounting plate A159For Guide Rail G-CO-(FM)S, doors up to 3200 mm wide, white, similar to RAL9016 DCA159-----9016
- Ceiling smoke detector RZ101ORS142 with base, white DCRZ101----9010
- Interrupter push-buttons 1317-10With red actuating field; inscription "lock door"; flush-mounted 1317-10-----00
- Interrupter push-buttons 1316-10With red actuator field; inscription "Tür schließen" (Close door); surface-mounted 1316-10-----00
- Opening damper A188Opening damper A188 DCA188-----

The advantages at a glance

Customer segment	Advantages
Project planners	Extensive range of uses: Fire and smoke protection doors as well as standard doors Modern design Hold-open device is traversable Mechanical door coordinator for optimum functional reliability Harmonious appearance thanks to smoke detector fully integrated into guide rail Fulfils barrier-free building requirements (EA / CEN TR 15894)
Builders	One drilling template overall Simple, rapid installation and adjustment Can be used for left and right handed doors for standard mounting on hinge side Adjustable to nearly all door and frame types Optimum reliability and service life for door coordinator For doors with a door width up to 1,400 mm Pre-assembled component modules for quick installation
Trade	Reduced inventory costs due to modular product range

Free-Motion® door closer system for double-leaf doors with free-swing function on the active leaf, starting from a door release angle of 1°, Cam-Motion® door closer (DC700) on the inactive leaf

User	Automatic alarm reset Status displayed on LED: operational mode, alarm, maintenance Optimum usage convenience thanks to controlled closing of door in correct order Free-swing function starting from a door opening angle 0°. Easy door opening without the resistance of the door closer, is approved for use on fire doors
------	---

Technical data

Rated current consumption	Ca. 100mA
Suitable for fire doors	Yes
Required power supply	230 V supply voltage
Continuous duty	100% ED
Class of protection	IP 20
General technical approval as Arrester system	Z-6.500-2364
Certified in compliance with	EN 1158
Length	Depending on the hing distance
Height	30 mm
Depth	61 mm
CE marking for building products	Yes
Color	Silver EV1

Article number	DCG-21-50-D9016
----------------	-----------------

Free-Motion® door closer system for double-leaf doors with free-swing function on the active leaf, starting from a door release angle of 1°, Cam-Motion® door closer (DC700) on the inactive leaf

view construction

Required space on doors



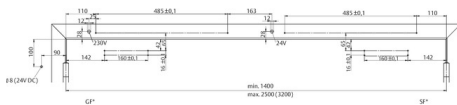
Active leaf DIN left shown in the diagram

Active leaf DIN right is the reverse

SF* = Passive leaf

GF* = Active leaf

Installation dimensions



Active leaf DIN left shown in the diagram

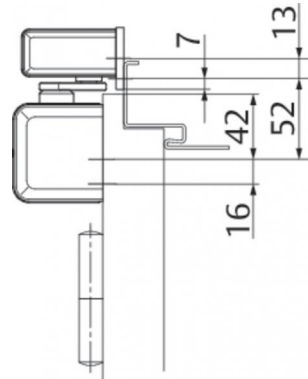
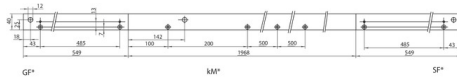
Active leaf DIN right is the reverse

SF* = Passive leaf

GF* = Active leaf

Free-Motion® door closer system for double-leaf doors with free-swing function on the active leaf, starting from a door release angle of 1°, Cam-Motion® door closer (DC700) on the inactive leaf

Mounting Plate A159

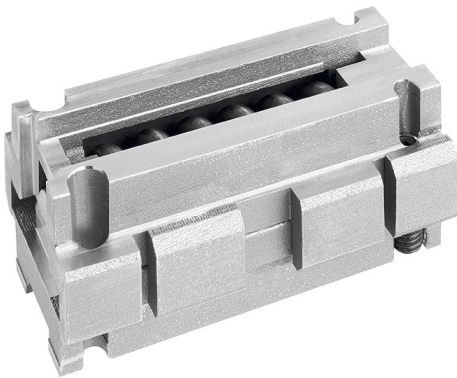


SF* = Passive leaf

GF* = Active leaf

kM* = Middle section length can be shortened

Opening damper A188



Helps to prevent the door and door handle from hitting a return wall.
Simple installation in the guide rail, but doesn't replace the need for a door stop

Flush-mounted release button 1317-10



Flush-mounted interrupter pushbutton with red actuator field, labelled 'Close door'. For controlling fail-unlocked components, such as holding magnets and fail-unlocked strikes, and as a manual switch / control for arrester systems. Changeover contact switch

Free-Motion® door closer system for double-leaf doors with free-swing function on the active leaf, starting from a door release angle of 1°, Cam-Motion® door closer (DC700) on the inactive leaf

Surface-mounted release button 1316-10

Surface-mounted interrupter pushbutton with red actuator field, labelled 'Close door'. For controlling fail-unlocked components, such as holding magnets and fail-unlocked strikes, and as a manual switch / control for arrester systems. Changeover contact switch.

Notice

According to local laws/requirements, an external release button is mandatory for Free-Motion® door closers with hold open devices

Wiring diagram

