

Rack and pinion door closer with link arm

Rack and pinion door closer with link arm

Product description

- Rack and pinion closer with link arm L190
- Certified in compliance with EN 1154, size 2-4
- Suitable for fire and smoke protection doors
- For single action doors up to 1100 mm wide

Overview of Advantages

- Can be used for left and right-handed doors
- Can be used with concealed mounting plate, suitable for fire and smoke protection doors
- Axis height adjustable up to 14 mm
- Closing speed, latching speed and backcheck adjustable via front facing regulating valves
- Thermodynamic valves for consistent performance
- Variable adjustable closing force
- Opening angle up to 180°
- Effective backcheck and latching speed range adjustable
- Large range of applications
- Standard colours: silver EV1; white, similar to RAL9016; brown, similar to RAL8014; black, similar to RAL9005
- Customised finishes available on request

Characteristics for hold open link arm L191

- Hold-open angle adjustable up to 150°
- Hold-open mode can be enabled and disabled as required
- Same installation as link arm
- Cannot be used with fire and smoke protection doors

Accessories/Individual parts

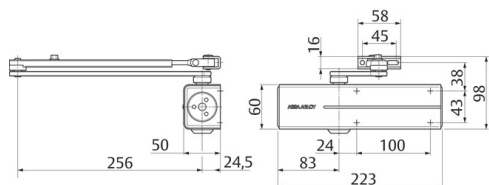
- Link arm L190Black, similar to RAL9005 DCL190-----9005
- Hold-open link arm L191Black, similar to RAL9005 DCL191-----9005
- Mounting plate A120For Door Closer Models DC200/DC300/DC500/DC700, galvanised DCA120-----40
- Angle bracket A122 DCA122-----9005
- Parallel arm bracket A154Black, similar to RAL9005 DCA154-----9005

The advantages at a glance

Customer segment	Advantages
Project planners	Extensive range of uses: Fire and smoke protection doors as well as standard doors Modern design Compact design Fulfils barrier-free building requirements Same dimensions and design with and without mounting plate
Builders	One drilling template overall Adjustable to nearly all door and frame types Quick and easy installation Quickly and easily adjustable Suitable for left and right handed doors, in both door and frame mounted applications
Trade	Reduced inventory costs due to modular product range One single product suitable for a large variety of mounting positions Complementary accessories available for the whole product range
User	Largely unaffected by temperature fluctuations because of thermodynamic valves Easier door opening and improved accessibility due to rapidly decreasing torque Backcheck feature offers optimum protection for doors and walls

Technical data

Closing force	EN 2-4
Door width up to	1.100 mm
Suitable for fire doors	Yes
Handing	Left / right handed
Closing speed	Variable between 180°-15°
Latching speed	Variable between 15°-0°
Backcheck effect	Variable above 75°
Hold-open mode (with hold-open link arm L191)	Adjustable 75°-150°, can be enabled and disabled
Certified in compliance with	EN 1154



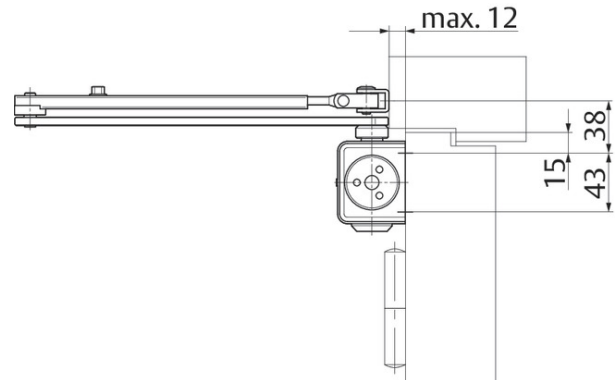
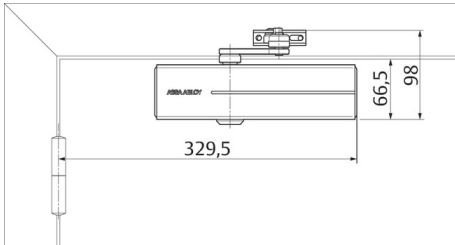
DC200

Rack and pinion door closer with link arm

CE marking for building products	Yes
Length	223 mm
Height	60 mm
Depth	50 mm
Weight	1.6 kg
Color	Black, similar to RAL9005
Article number	DC200-----D9005
EAN-Number	4042203687042

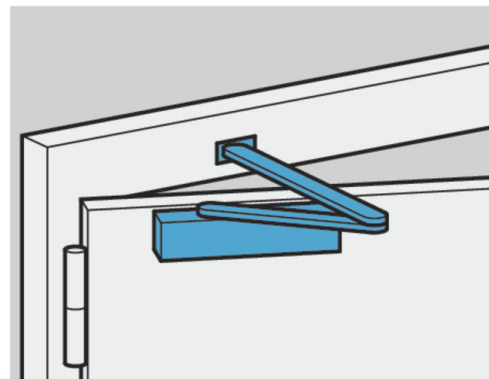
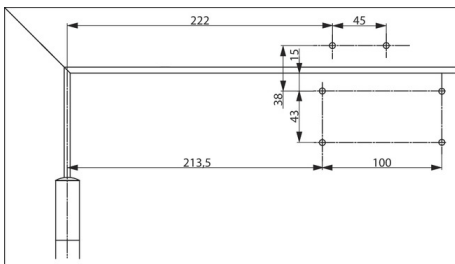
view construction

Required space on doors

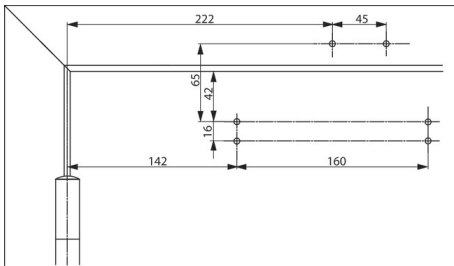


Left handed shown in diagram
Right handed is the reverse

Installation dimensions for direct mounting



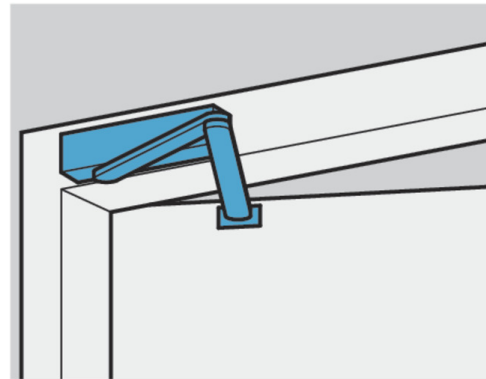
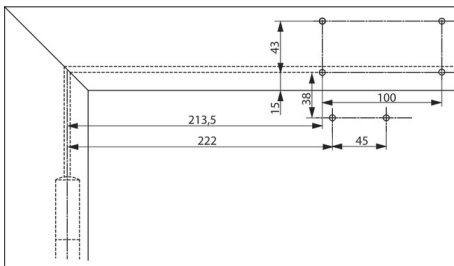
Left handed shown in diagram
Right handed is the reverse

Installation dimensions with mounting plate

In compliance with EN 1154, Supplement 1, or for doors where direct mounting is not possible.

Left handed shown in diagram

Right handed is the reverse

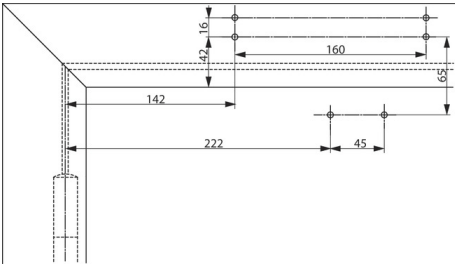
Frame mounting

Closer on non-hinge side of door frame

Right handed door shown in diagram

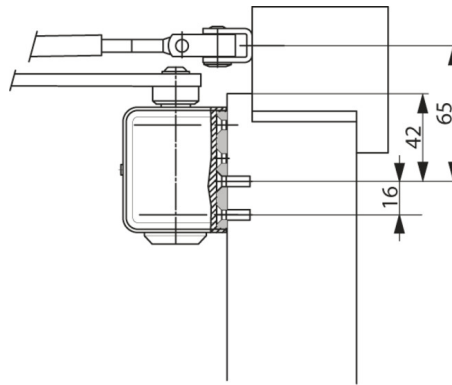
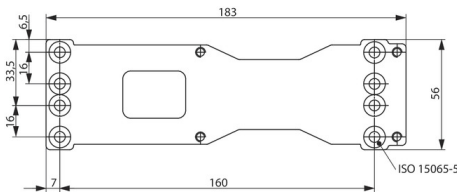
Left handed door is the reverse

Installation dimensions with mounting plate for frame mounting



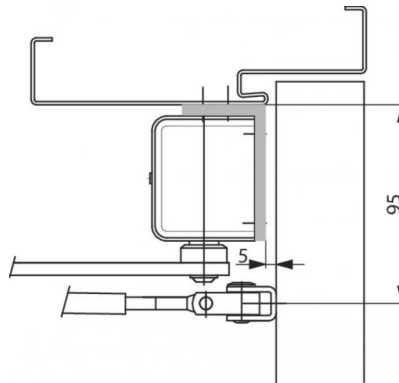
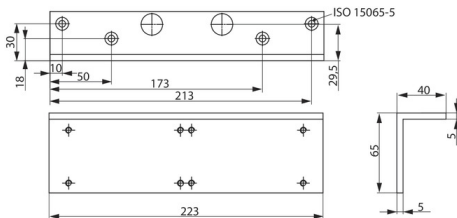
Closer on non-hinge side of door frame. For doors where direct mounting is not possible.
Right handed door shown in diagram
Left handed door is the reverse

Mounting plate A120

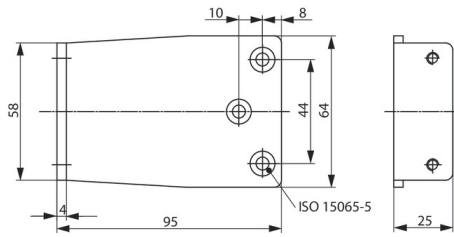


For mounting with drilling template acc. to EN 1154 Supplement 1 (fire and smoke protection doors) and for universal use

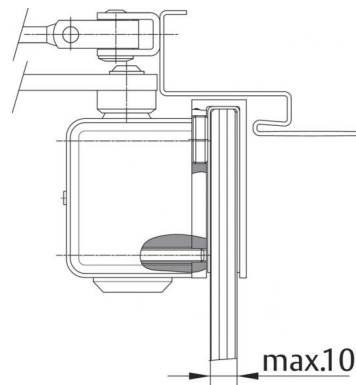
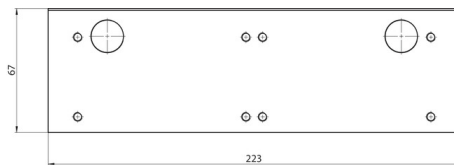
Angle bracket A122



For frame mounting in case of deep jamb, headroom reduced by 70 mm.
Check suitability for use on fire and smoke protection doors.

Parallel arm bracket A154

For Parallel Arm installation.
Check suitability for use on fire and smoke protection doors.

Glass door shoe A164

For mounting the door closer on the all-glass door leaf.