

Rack and pinion closer with guide rail or link arm

Rack and pinion closer with guide rail or link arm

Product description

- Rack and pinion door closer with height adjustable link arm L190 or guide rail G195/G193
- Certified in compliance with EN1154, size 2-6 with link arm and size 2-4 with guide rail
- Delayed action variant DC340DA certified in compliance with EN1154, size 2-6 with link arm and size 2-4 with guide rail
- Suitable for fire and smoke protection doors
- For single action doors up to 1100 mm wide (guide rail) and 1400 mm (link arm)

Overview of Advantages

- Can be used with concealed mounting plate, suitable for fire and smoke protection doors
- Can be used for left and right-handed doors
- Axis continuously height adjustable up to 14 mm
- Closing speed, latching speed and backcheck adjustable via front facing regulating valves
- Thermodynamic valves for consistent performance
- Variable adjustable closing force
- Opening angle up to 180°
- Large range of applications
- Standard colours: silver EV1; white, similar to RAL9016; brown, similar to RAL8014; black, similar to RAL9005, stainless steel
- Customised finishes available on request

Note

- Size 1-4 (guide rail) / size 2-6 (link arm)

Characteristics for guide rail G195

- Height adjustable by 2 mm for tolerance
- Concealed fastening screws
- Installation dimensions: see diagram

Characteristics of standard guide rail G193

- Without protective cover
- Visible fastening screws
- Installation dimensions: see diagram (dimensions in brackets)

Characteristics of link arm L190

- Opening angle up to 180°

Characteristics for hold open link arm L191

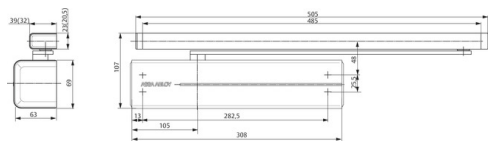
- Hold-open angle adjustable up to 150°
- Hold-open mode can be enabled and disabled as required
- Same installation as link arm
- Cannot be used with fire and smoke protection doors
- Drawings: see drawings at DC347 with link arm

Characteristics of special model DC300DA

- Delayed closing variable from max. opening angle - 70°, adjustable from front
- Other features as in Model DC300

Accessories/Individual parts

- Guide rail G193Silver EV1 DCG193-----EV1-
- Guide rail G193White, similar to RAL9016 DCG193-----9016
- Guide rail G193Brown, similar to RAL8014 DCG193-----8014
- Guide rail G193Black, similar to RAL9005 DCG193-----9005
- Guide rail G193Customised finish DCG193-----XXXX
- Guide rail G195Silver EV1 DCG195----DEV1-
- Guide rail G195White, similar to RAL9016 DCG195----D9016
- Guide rail G195Brown, similar to RAL8014 DCG195----D8014
- Guide rail G195Black, similar to RAL9005 DCG195----D9005
- Guide rail G195Stainless steel DCG195----D35--
- Guide rail G195Customised finish DCG195----DXXXX
- Link arm L190Stainless steel DCL190-----EV1-
- Link arm L190White, similar to RAL9016 DCL190-----9016
- Link arm L190Brown, similar to RAL8014 DCL190-----8014
- Link arm L190Black, similar to RAL9005 DCL190-----9005
- Link arm L190Customised finish DCL190-----XXXX
- Hold-open link arm L191Silver EV1 DCL191-----EV1-
- Hold-open link arm L191White, similar to RAL9016 DCL191-----9016
- Hold-open link arm L191Brown, similar to RAL8014 DCL191-----8014
- Hold-open link arm L191Black, similar to RAL9005 DCL191-----9005
- Hold-open link arm L191Customised finish DCL191-----XXXX
- Angle bracket A104For Guide Rail G193, silver EV1 DCA104-----EV1-
- Angle bracket A104For Guide Rail G193, white, similar to RAL9016 DCA104-----9016



- Angle bracket A104For Guide Rail G193, white, brown, similar to RAL8014 DCA104-----8014
- Angle bracket A104For Guide Rail G193, black, similar to RAL9005 DCA104-----9005
- Angle bracket A107Silver EV1 DCA107-----EV1-
- Angle bracket A107Customised finish DCA107-----XXXX
- Mounting plate A126 A126galvanized DCA126-----40
- Mounting plate A130For Guide Rail G193, G195, and G795, silver EV1 DCA130-----EV1-
- Mounting plate A130For Guide Rail G195 and G795, white, similar to RAL9016 DCA130-----9016
- Mounting plate A130For Guide Rail G195, and G795, brown, similar to RAL8014 DCA130-----8014
- Mounting plate A130For Guide Rail G195, and G795, black, similar to RAL9005 DCA130-----9005
- Mounting plate A130For Guide Rail G193, G195, and G795, bespoke finish DCA130-----XXXX
- Hold-open device A152For Guide Rails G193/G195/G893 DCA152-----
- Opening damper A153For Guide Rails G193/G195/G795/G893 DCA153-----
- Escape Route Technology Test Log Book Model D00407 D00407_Modell
- Identification shield 2.1502For arrester systems; inscription "periodic monitoring" 2.1502-00040000
- Identification shield 2.1502For arrester systems; inscription "acceptance test" 2.1502-00560500

The advantages at a glance

Customer segment	Advantages
Project planners	Extensive range of uses: Fire and smoke protection doors as well as standard doors Modern design Compact design Same dimensions and design with and without mounting plate Comprehensive functions, standard and optional
Builders	Adjustable to nearly all door and frame types Quick and easy installation Quickly and easily adjustable Suitable for left and right handed doors, in both door and frame mounted applications
Trade	One single product suitable for a large variety of mounting positions Complementary accessories available for the whole product range
User	Largely unaffected by temperature fluctuations because of thermodynamic valves Backcheck feature offers optimum protection for doors and walls

Technical data

Closing force	EN 1-4 / EN 2-6
Door width up to	1.100 mm / 1.400 mm
Suitable for fire doors	Yes
Handing	Left / right handed
Closing speed	Variable between 180°-15°
Latching speed	Variable between 15°-0°
Backcheck effect	Variable above 75°
Delayed closing	No
Certified in compliance with	EN 1154
CE marking for building products	Yes
Length	306 mm
Height	69 mm
Depth	64,5 mm
Net_weight	2,1 kg

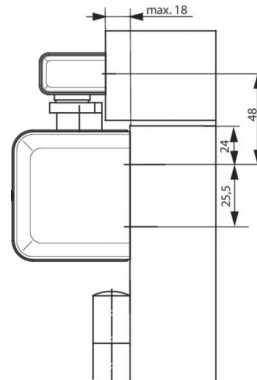
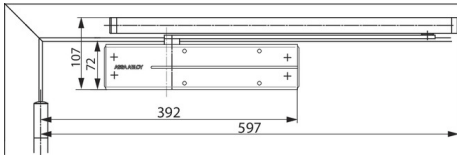
Variants that can be ordered

Order number	Description
DC340-----DEV1-	DC340, silver EV1
DC340-----D9016	DC340, white, similar to RAL9016
DC340-----D8014	DC340, brown, similar to RAL8014
DC340-----D9005	DC340, black, similar to RAL9005
DC340-----D35--	
DC340-1---D35--	

DC340-----DXXXX	DC340, customised finish
DC340DA---D35--	DC340DA with delayed action, complete stainless steel
DC340DA-1-D35--	DC340DA with delayed action, complete stainless steel
DC350-----DEV1-	DC340DA, silver EV1
DC350-----D9016	DC340DA, white, similar to RAL9016
DC350-----D8014	DC340DA, brown, similar to RAL8014
DC350-----D9005	DC340DA, black, similar to RAL9005
DC350-----D35--	
DC350-1---D35--	
DC350-----DXXXX	DC340DA, bespoke finish

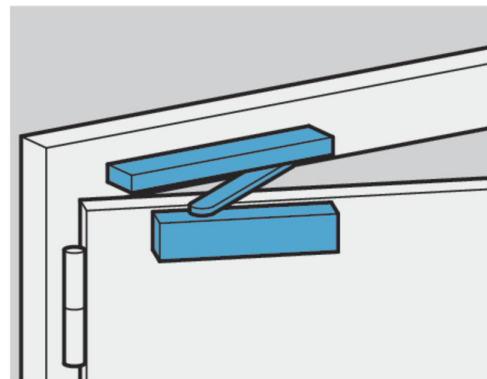
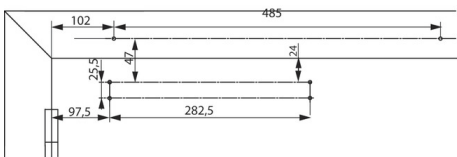
view construction

Required space on doors



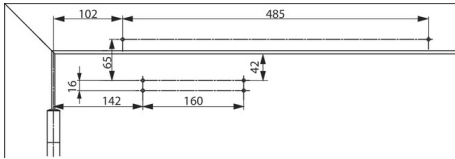
Left handed shown in diagram
Right handed is the reverse

Installation dimensions for direct mounting



Left handed shown in diagram
Right handed is the reverse

Installation dimensions with mounting plate

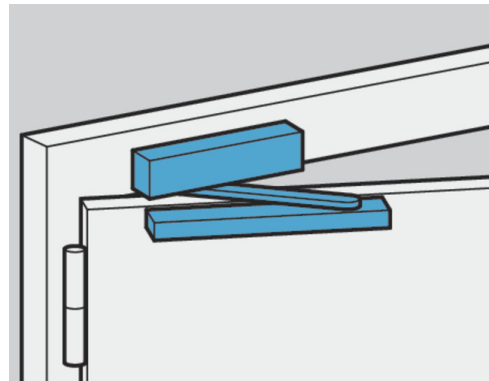
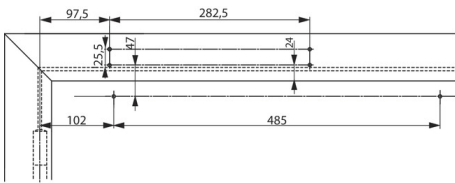


In compliance with EN 1154, Supplement 1, or for doors where direct mounting is not possible.

Left handed shown in diagram

Right handed is the reverse

Frame mounting

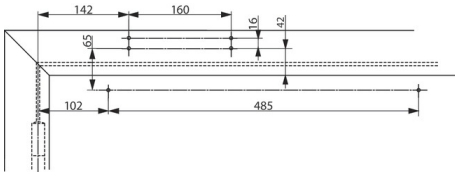


Closer on hinge side of door frame.

Left handed shown in diagram

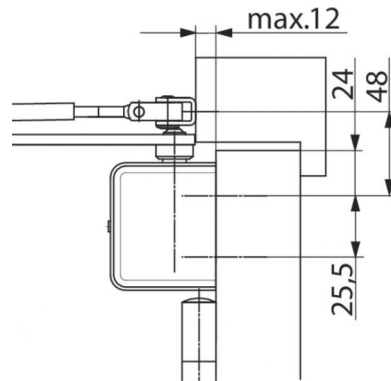
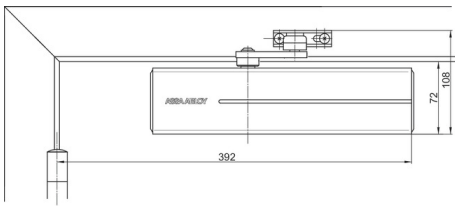
Right handed is the reverse

Installation dimensions with mounting plate for frame mounting



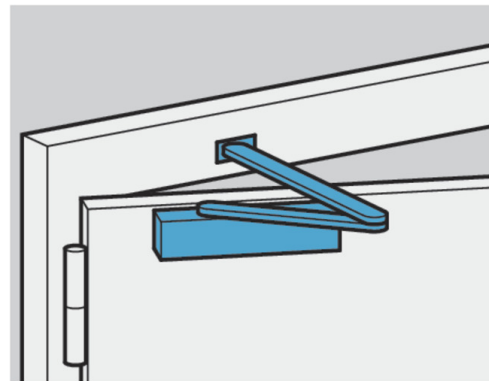
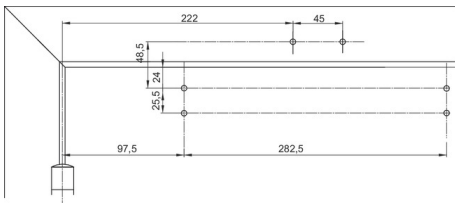
Closer on non-hinge side of door frame. For doors where direct mounting is not possible.
 Left handed shown in diagram
 Right handed is the reverse

Regular door mounting



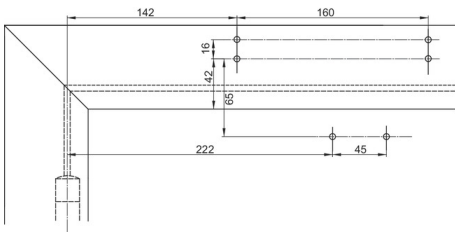
Left handed door shown in diagram

Installation dimension for direct mounting



Left handed shown in diagram
 Right handed is the reverse

Installation dimensions with mounting plate

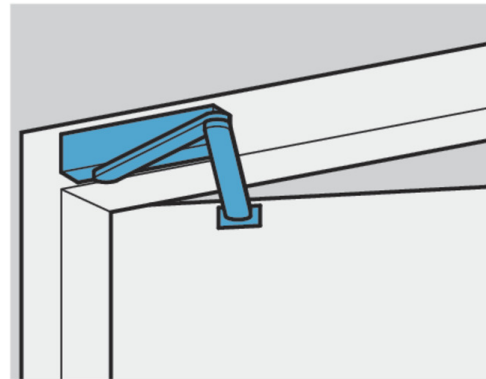
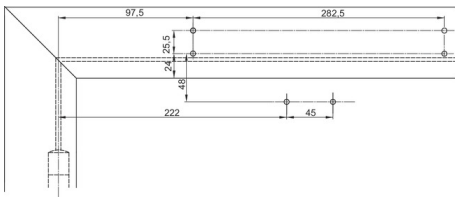


In compliance with EN 1154, Supplement 1, or for doors where direct mounting is not possible.

Right handed door shown in diagram

Left handed door is the reverse

Frame mounting

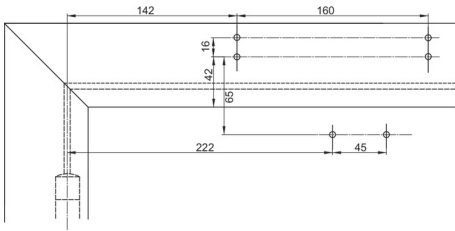


Closer on non-hinge side of door frame

Right handed door shown in diagram

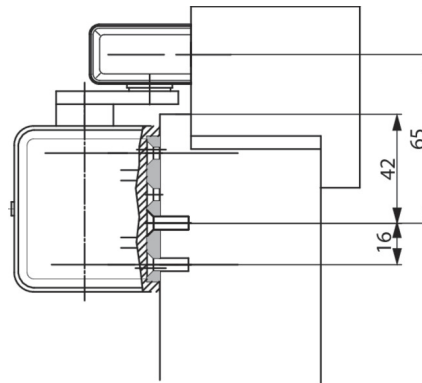
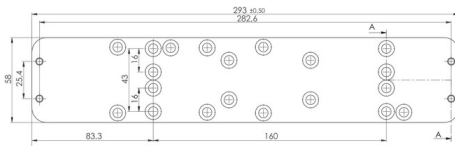
Left handed door is the reverse

Installation dimensions with mounting plate for frame mounting



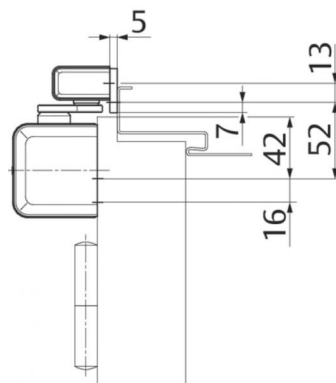
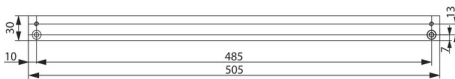
Closer on non-hinge side of door frame. For doors where direct mounting is not possible.
 Right handed door shown in diagram
 Left handed door is the reverse

Mounting plate A126



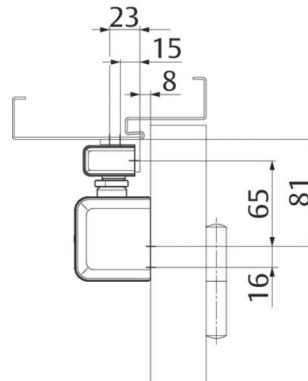
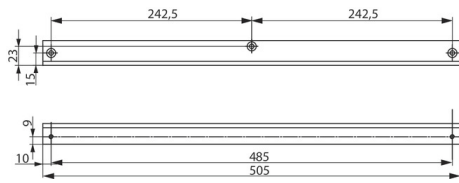
For mounting with drilling template acc. to EN 1154 Supplement 1 (fire and smoke protection doors) and for universal use

Mounting plate A130



For guide rail G193 and G195

Angle bracket A104



Only for standard guide rail G193