

Door closer with Cam-Motion® technology, guide rail and delay action function

Door closer with Cam-Motion® technology and guide rail

Product description

- Certified in compliance with EN 1154, size 3-6

Overview of Advantages

- Can be used with concealed mounting plate, suitable for fire and smoke protection doors
- Can be used for left and right-handed doors
- Axis continuously height adjustable up to 14 mm
- Closing speed, latching speed and backcheck adjustable via front facing regulating valves
- Delayed closing variable from max. opening angle - 70°, adjustable from front
- Thermodynamic valves for consistent performance
- Variable adjustable closing force
- Effective backcheck and latching speed range adjustable
- Large range of applications
- Standard colours: silver EV1; white, similar to RAL9016; brown, similar to RAL8014; black, similar to RAL9005, stainless steel

Characteristics for guide rail G195

- Height adjustable by 2 mm for tolerance
- Concealed fastening screws
- Installation dimensions: see diagram

Characteristics of standard guide rail G193

- Without protective cover
- Visible fastening screws
- Installation dimensions: see diagram (dimensions in brackets)

Accessories/Individual parts

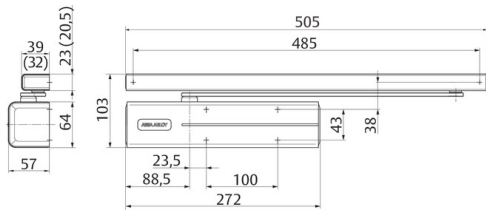
- Guide rail G193White, similar to RAL9016 DCG193-----9016
- Guide rail G195White, similar to RAL9016 DCG195----D9016
- Mounting plate A120For Door Closer Models DC200/DC300/DC500/DC700, galvanised DCA120-----40
- Mounting plate A130For Guide Rail G195 and G795, white, similar to RAL9016 DCA130-----9016
- Angle bracket A104For Guide Rail G193, white, similar to RAL9016 DCA104-----9016
- Hold-open device A152For Guide Rails G193/G195/G893 DCA152-----
- Opening damper A153For Guide Rails G193/G195/G795/G893 DCA153-----
- Mounting plate A136Non-hinge side, for Guide Rail G193 and G195, 40 mm, silver EV1 DCA136----EV1-
- Test book D00407Escape route technology D00407
- Identification shield 2.1502For arrester systems; inscription "periodic monitoring" 2.1502-00040000
- Identification shield 2.1502For arrester systems; inscription "acceptance test" 2.1502-00560500

The advantages at a glance

Customer segment	Advantages
Project planners	Extensive range of uses: Fire and smoke protection doors as well as standard doors Modern design Compact design Fulfils barrier-free building requirements (EA / CEN TR 15894) Same dimensions and design with and without mounting plate Comprehensive functions, standard and optional
Builders	One drilling template overall Adjustable to nearly all door and frame types Quick and easy installation Quickly and easily adjustable Suitable for left and right handed doors for standard and frame mounting on hinge and non-hinge side
Trade	One single product suitable for a large variety of mounting positions Reduced inventory costs due to modular product range Complementary accessories available for the whole product range
User	Largely unaffected by temperature fluctuations because of thermodynamic valves Easier door opening and improved accessibility due to rapidly decreasing torque Backcheck feature offers optimum protection for doors and walls

Technical data

Closing force	EN 3-6
Door width up to	1400 mm



DC700DA

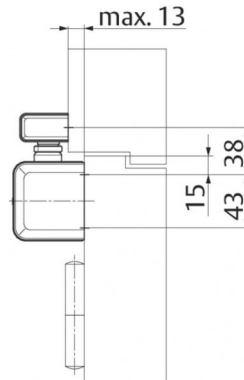
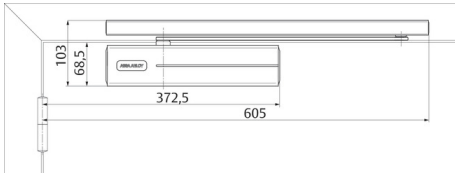
Door closer with Cam-Motion® technology, guide rail and delay action function

Suitable for fire doors	Yes
Handing	Left / right handed
Mounting method	Standard and frame installation
Closing speed	Variable between 170°-10°
Latching speed	Variable between 10°-0°
Backcheck effect	Variable above 75°
Max. door opening angle hinge side	ca. 160°
Max. door opening angle non-hinge side	ca. 120°
Delayed closing	ca. 120°-70°
Certified in compliance with	EN 1154
CE marking for building products	Yes
Length	272 mm
Height	64 mm
Depth	57 mm
Color	White, similar to RAL9016

Article number	DC710-----D9016
EAN-Number	6438352049141

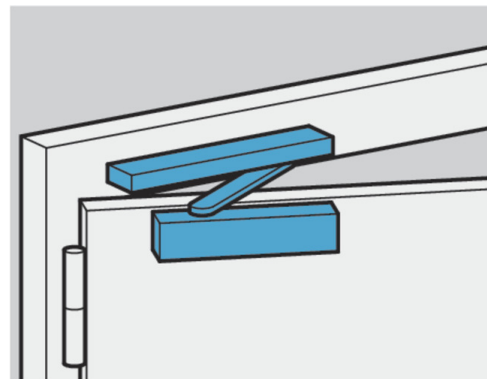
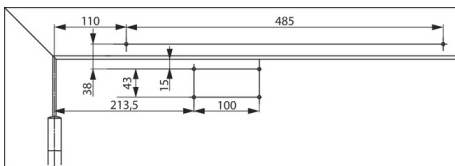
view construction

Space required on doors for standard installation on hinge side

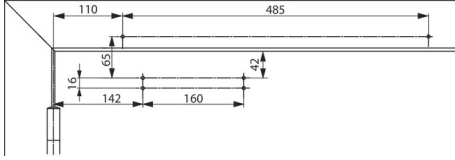


Left handed shown in diagram
Right handed is the reverse

Installation dimensions for direct standard mounting on hinge side



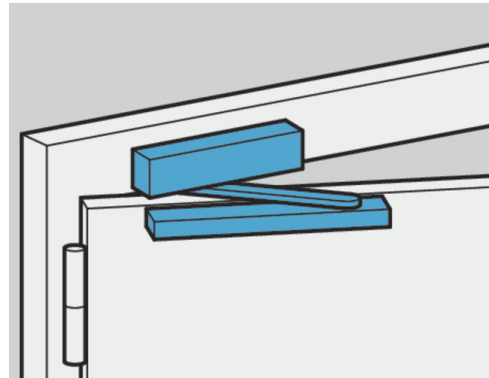
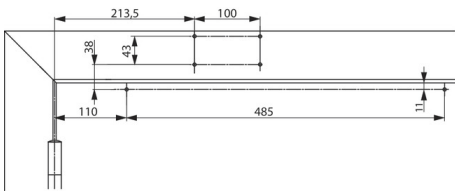
Left handed shown in diagram
Right handed is the reverse

Installation dimensions with mounting plate for standard mounting on hinge side

In compliance with EN 1154, Supplement 1, or for doors where direct mounting is not possible.

Left handed shown in diagram

Right handed is the reverse

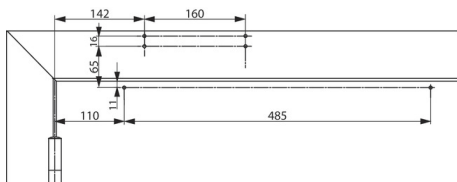
Installation dimensions for direct frame mounting on hinge side

Closer on hinge side of door frame.

Left handed shown in diagram

Right handed is the reverse

Installation dimensions with mounting plate for frame mounting on hinge side

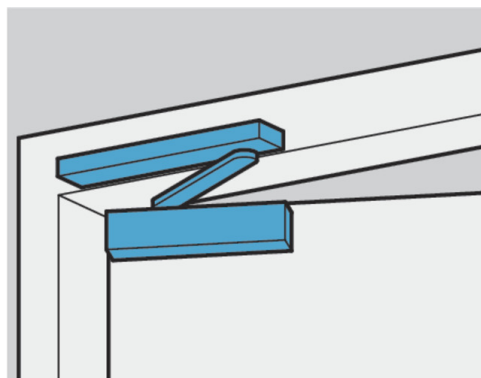
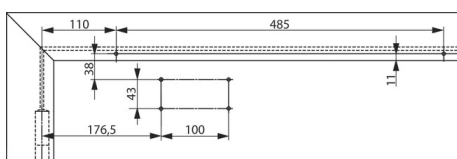


Closer on hinge side of door frame. For doors where direct mounting is not possible.

Left handed shown in diagram

Right handed is the reverse

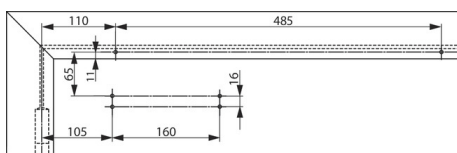
Installation dimensions for direct standard mounting non hinge side



Right handed door shown in diagram

Left handed door is the reverse

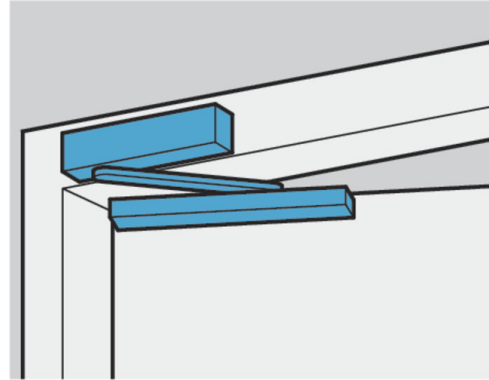
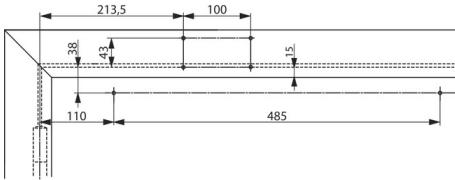
Installation dimensions with mounting plate for standard mounting non hinge side



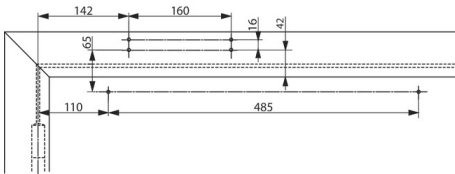
For doors where direct mounting is not possible

Right handed door shown in diagram

Left handed door is the reverse

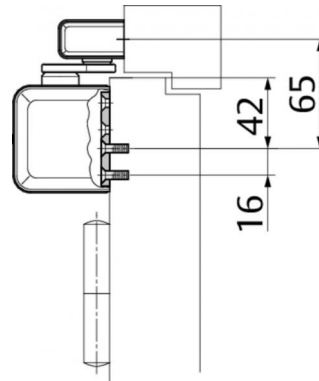
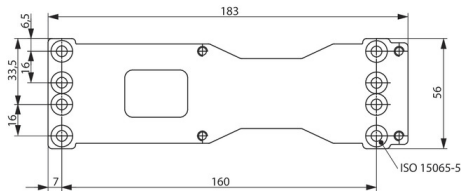
Installation dimensions when mounted directly onto the frame non-hinge side

Closer on non-hinge side of door frame
Right handed door shown in diagram
Left handed door is the reverse

Installation dimensions with mounting plate for frame mounting non-hinge side

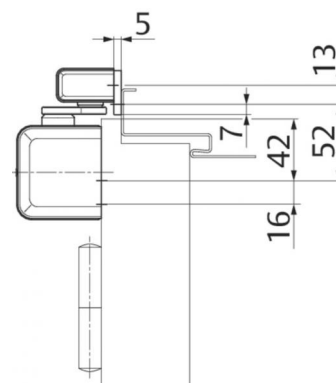
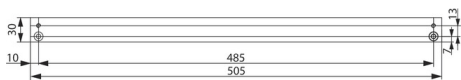
Closer on non-hinge side of door frame. For doors where direct mounting is not possible.
Right handed door shown in diagram
Left handed door is the reverse

Mounting plate A120



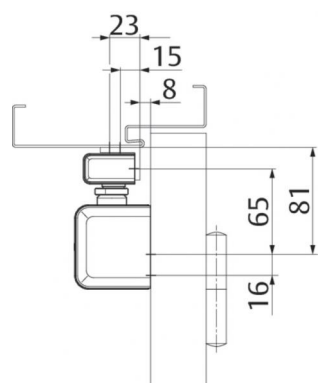
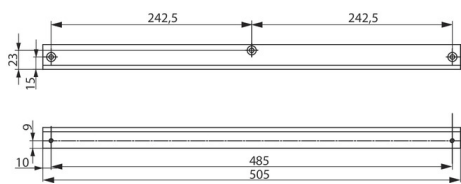
For mounting with drilling template acc. to EN 1154 Supplement 1 and for universal use

Mounting plate A130

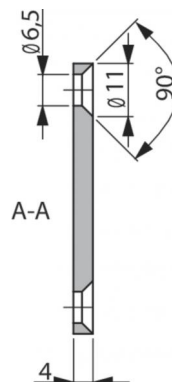
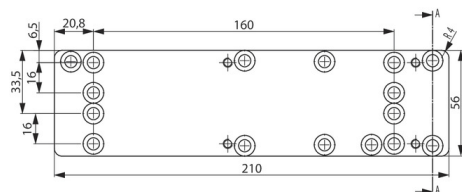


For guide rail G193 and G195

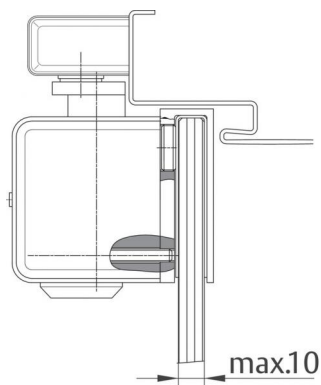
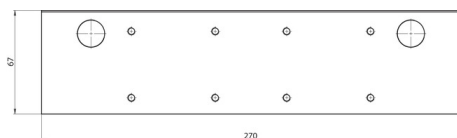
Angle bracket A104



Only for standard guide rail G193

Replacement plate A124

For renovation applications

Glass door shoe A166

For mounting the door closer on the all-glass door leaf.

Hold-open device A152

Mechanical hold-open device for doors which sometimes need to be secured in the open position.

Simple fitting into guide rail G193 and G195.

Hold-open angle max. 130°

Not approved for use on fire and smoke protection doors

Continuously adjustable holding force

Opening damper A153

Helps to prevent the door and door handle from hitting a return wall.

Simple fitting into guide rail.

Opening damper continuously adjustable up to an opening angle of max. 130°. Does not replace a door stop.