

Door closer with Cam-Motion® technology with electro-mechanical hold-open device

Door closer with Cam-Motion® technology with electro-mechanical hold-open device

**Product description**

- Door closer with Cam-Motion® technology with electro-mechanical hold-open device for single leaf doors
- Certified in compliance with EN 1154/1155, size 3-6
- Hold-open angle continuously adjustable between ca. 80° and 130°
- Hold-open device is traversable
- Fulfills barrier-free building requirements (EA / CEN TR 15894)
- DIBt approval with different smoke detection systems
- Suitable for fire and smoke protection doors up to 1400 mm wide

**Overview of Advantages**

- Electro-mechanical hold-open device
- Supply line 24 V DC, flush or surface mounting
- Continuously adjustable holding force
- Traversable hold-open device, continuously adjustable between ca. 80°-130°
- Can be used for left and right-handed doors
- Standard installation types on the hinge and non-hinge side
- Same drilling template as standard guide rails
- Axis continuously height adjustable up to 14 mm
- Closing speed, latching speed and backcheck adjustable via front facing regulating valves
- Thermodynamic valves for consistent performance
- Variable adjustable closing force
- Effective backcheck and latching speed range adjustable
- Large range of applications
- Standard colours: silver EV1, white similar to RAL9016, stainless steel design
- Customised finishes available on request

**Note**

- Guide rail G-E
- Facts for door closer see DC700

**Accessories/Individual parts**

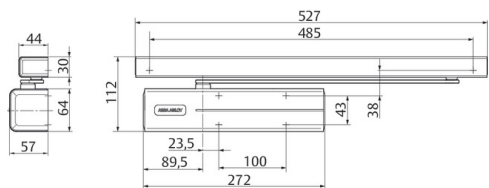
- Mounting plate A131 For Guide Rail G-E, white, similar to RAL9016 DCA131-----9016
- Opening damper A188 Opening damper A188 DCA188-----
- Smoke detector activation device RZ100 White, similar to RAL9016 DCRZ100---D9016
- Smoke detector RZ101 ORS142 with base; white, similar to RAL9010 DCRZ101----9010
- Smoke detector 60060 Optical smoke detector with base 60060-----00
- Interrupter push-buttons 1317-10 With red actuating field; inscription "lock door"; flush-mounted 1317-10-----00
- Interrupter push-buttons 1316-10 With red actuator field; inscription "Tür schließen" (Close door); surface-mounted 1316-10-----00

**The advantages at a glance**

Customer segment	Advantages
Project planners	Extensive range of uses: Fire and smoke protection doors as well as standard doors Modern design Compact design
Builders	One drilling template overall Adjustable to nearly all door and frame types Quick and easy installation Quickly and easily adjustable Suitable for left and right hand doors for standard mounting on hinge and non-hinge side
Trade	Reduced inventory costs due to modular product range One single product suitable for a large variety of mounting positions One single product for both, hinge and non-hinge side
User	Adjustable operating force, to meet door construction requirements and user need

**Technical data**

Rated current consumption	ca. 75 mA
Required power supply	24 V DC
Continuous duty	100 % ED
Class of protection	IP 43
Suitable for fire doors	Yes
Certified in compliance with	EN 1155
CE marking for building products	Yes



# DC700G- E

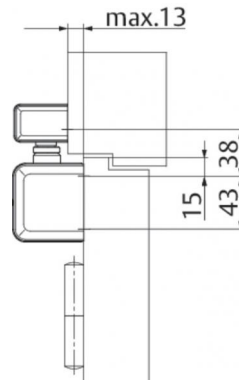
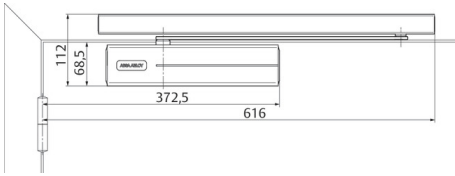
Door closer with Cam-Motion® technology with electro-mechanical hold-open device

Length	528 mm
Height	30 mm
Depth	44 mm
Color	White, similar to RAL9016

Article number	DCG-10-21ND9016
EAN-Number	4042203690462

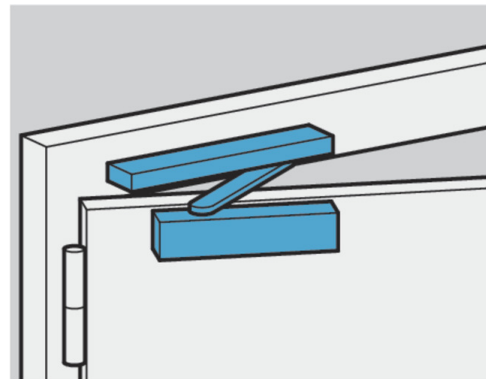
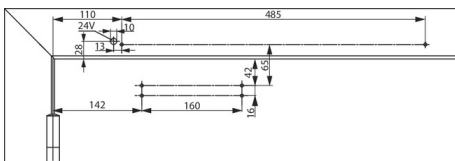
**view construction**

**Required space on doors**



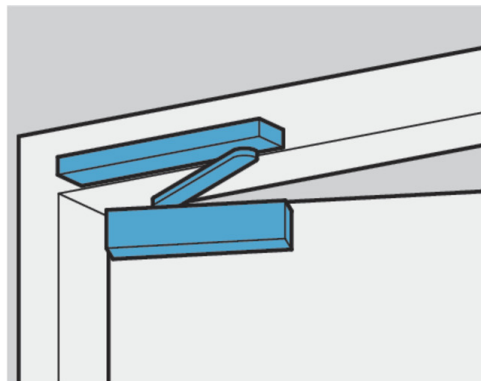
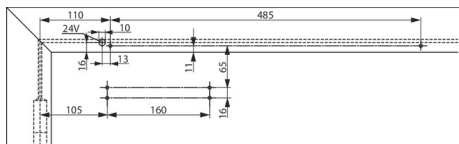
Left handed shown in diagram  
Right handed is the reverse

**Installation dimensions with mounting plate for standard mounting on hinge side**



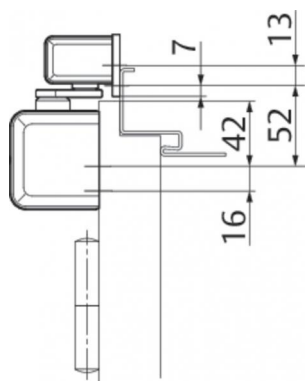
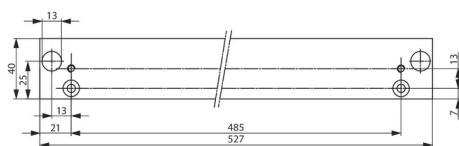
In compliance with EN 1154, Supplement 1, or for doors where direct mounting is not possible.  
Left handed shown in diagram  
Right handed is the reverse

### Installation dimensions with mounting plate for standard mounting non hinge side



For doors where direct mounting is not possible  
Right handed door shown in diagram  
Left handed door is the reverse

### Mounting plate A131



For guide rail G-E