

Free-Motion® door closer with Cam-Motion® technology and free-swing function

Free-Motion® door closer with Cam-Motion® technology and free-swing function

**Product description**

- Free-Motion® door closer with free-swing function starting from a door opening angle 0°, and height adjustable guide rail
- DIBt tested as a hold-open system with various smoke detector systems
- Certified in compliance with EN 1155/1154, size 3-6
- Suitable for fire and smoke protection doors
- For single action doors up to 1400 mm wide
- Variants for door leave mounting and frame mounting on hinge side and frame mounting on opposite hing side
- Fulfils barrier-free building requirements (EA / CEN TR 15894)

**Overview of Advantages**

- Easy, initial door opening due to the rapidly decreasing opening force. When active, the free-swing function enables permanent opening of the door without the resistance of the door closer
- The door remains in free swing mode until the power supply is switched off
- Door leaf and frame mounting on hinge side, DIN left and DIN right doors
- Axis continuously height adjustable up to 14 mm
- Opening angle up to 170°
- Variable adjustable closing force
- Thermodynamic valves for consistent performance
- Effective latching speed range adjustable
- Standard colours: silver EV1, white similar to RAL9016, stainless steel design
- Customised finishes available on request

**Accessories/Individual parts**

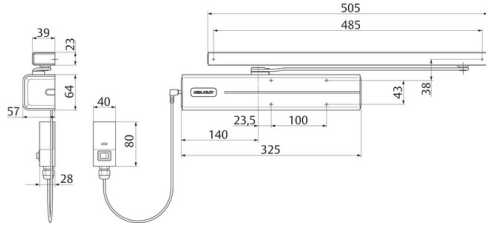
- Free-Motion® guide rail G795Stainless steel design DCG795----D35--
- Mounting plate A130For Guide Rail G193, G195, and G795, bespoke finish DCA130----XXXX
- Opening damper A153For Guide Rails G193/G195/G795/G893 DCA153-----
- Interrupter push-buttons 1317-10With red actuating field; inscription "lock door"; flush-mounted 1317-10-----00
- Interrupter push-buttons 1316-10With red actuator field; inscription "Tür schließen" (Close door); surface-mounted 1316-10-----00
- Test book D00407Escape route technology D00407
- Identification shield 2.1502For arrester systems; inscription "periodic monitoring" 2.1502-00040000
- Identification shield 2.1502For arrester systems; inscription "acceptance test" 2.1502-00560500

**The advantages at a glance**

Customer segment	Advantages
Project planners	Extensive range of uses: Fire and smoke protection doors as well as standard doors Modern design Compact design Fulfils barrier-free building requirements (EA / CEN TR 15894) Same dimensions and design with and without mounting plate Comprehensive functions, standard and optional For doors with a door width up to 1,400 mm
Builders	One drilling template overall Adjustable to nearly all door and frame types Quick and easy installation Quickly and easily adjustable Suitable for left and right handed doors for standard and frame mounting on hinge side Connection box can be concealed or surface mounted For doors with a door width up to 1,400 mm
Trade	Reduced inventory costs due to modular product range Complementary accessories available for the whole product range
User	Free-swing function starting from a door opening angle 0°. Easy door opening without the resistance of the door closer, is approved for use on fire doors Easier door opening and improved accessibility due to rapidly decreasing torque Largely unaffected by temperature fluctuations because of thermodynamic valves

**Technical data**

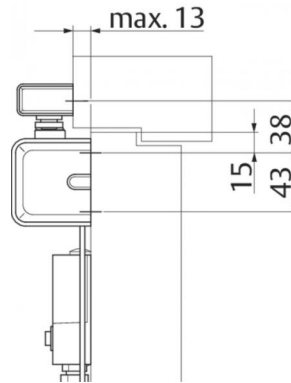
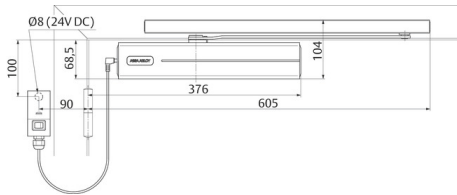
Rated current consumption	ca. 90 mA
Closing force	EN 3-6
Color	Stainless steel design
Door width up to	1400 mm



Suitable for fire doors	Yes
Handing	Left / right handed
Mounting method	Yes, with connection-box
Frame installation on non-hing side	Yes
Closing speed	Variable between 170°-10°
Latching speed	Variable between 10°-0°
Max. door opening angle	About 170° - mechanically limited
Required power supply	24 V DC
Continuous duty	100%
Class of protection	IP 43
Certified in compliance with	DIN EN 1155 / 1154
CE marking for building products	Yes
Length	325 mm
Height	64 mm
Depth	57 mm
Net_weight	3,6 kg
<a href="#">Article number</a>	DC700FMB--D35--
<a href="#">EAN-Number</a>	6438352048496

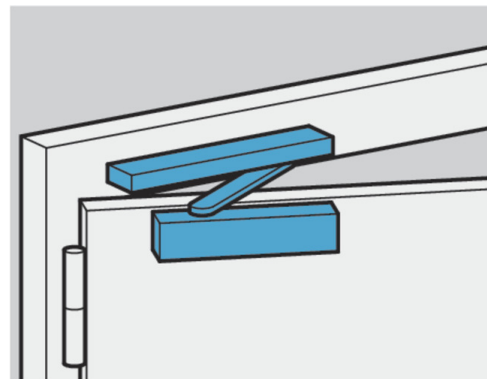
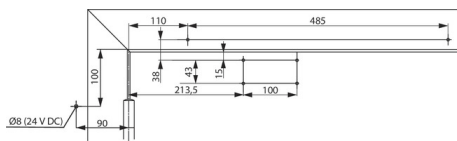
**view construction**

**Space required on doors for standard installation on hinge side**



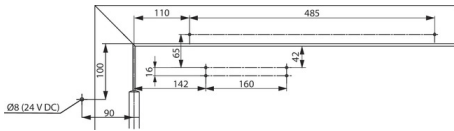
Left handed shown in diagram  
Right handed is the reverse

**Installation dimensions for direct standard mounting on hinge side**



Left handed shown in diagram  
Right handed is the reverse

### Installation dimensions with mounting plate for standard mounting on hinge side

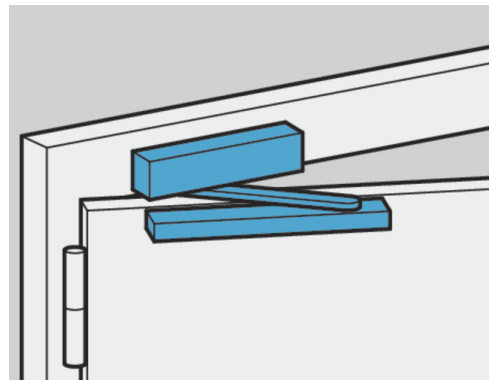
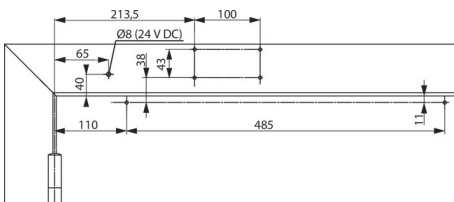


In compliance with EN 1154, Supplement 1, or for doors where direct mounting is not possible.

Left handed shown in diagram

Right handed is the reverse

### Installation dimensions for direct frame mounting on hinge side

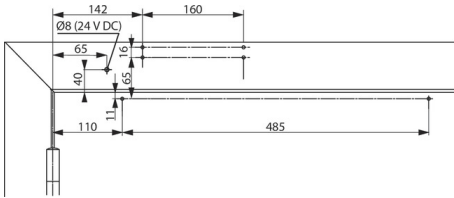


Closer on hinge side of door frame.

Left handed shown in diagram

Right handed is the reverse

### Installation dimensions with mounting plate for frame mounting on hinge side

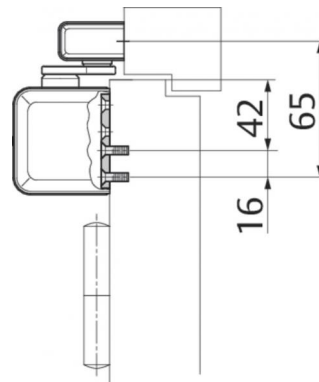
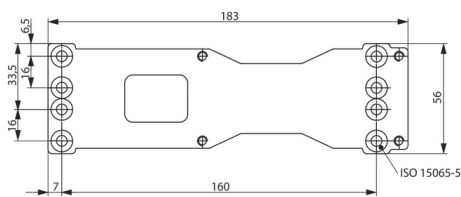


Closer on hinge side of door frame. For doors where direct mounting is not possible.

Left handed shown in diagram

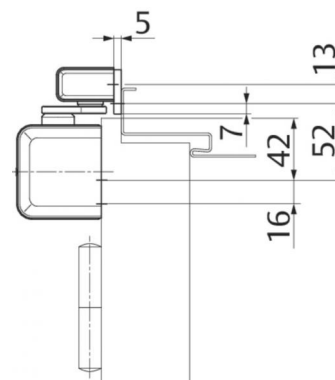
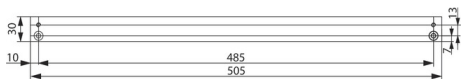
Right handed is the reverse

### Mounting plate A120



For mounting with drilling template acc. to EN 1154 Supplement 1 and for universal use

### Mounting plate A130



For guide rail G193, G195 and G795

### Opening damper A153

Helps to prevent the door and door handle from hitting a return wall.  
Simple fitting into guide rail.  
Opening damper continuously adjustable up to an opening angle of max. 130°. Does not replace a door stop.

### Flush-mounted release button 1317-10

Flush-mounted interrupter pushbutton with red actuator field, labelled 'Close door'. For controlling fail-unlocked components, such as holding magnets and fail-unlocked strikes, and as a manual switch / control for arrester systems. Changeover contact switch

### Surface-mounted release button 1316-10

Surface-mounted interrupter pushbutton with red actuator field, labelled 'Close door'. For controlling fail-unlocked components, such as holding magnets and fail-unlocked strikes, and as a manual switch / control for arrester systems. Changeover contact switch.

## Notice

According to local laws/requirements, an external release button is mandatory for Free-Motion® door closers with hold open devices