

Concealed door closer with Cam-Motion® technology and guide rail

Concealed door closer with Cam-Motion® technology and guide rail

**Product description**

- Concealed door closer with Cam-Motion® technology and small standard concealed guide rail G892 or standard concealed guide rail G893
- Fulfills barrier-free building requirements (EA / CEN TR 15894)
- Certified in compliance with EN 1154, size 1-5
- Suitable for fire and smoke protection doors
- For single action doors up to 1250 mm wide

**Overview of Advantages**

- Can be used for left and right-handed doors
- Closing speed and latching speed adjustable from top facing regulating valves
- Built-in backcheck
- Thermodynamic valves for consistent performance
- Opening angle up to 120°
- Large range of applications
- Versions with 4 mm and 8 mm spindle extensions
- Standard colours: silver EV1

**Note**

- Additional verification of suitability required for the respective fire or smoke protection door

**Characteristics of standard guide rail G892**

- Small size guide rail, can be used with hold-open device and opening damper
- For standard applications
- Installation dimensions: see diagram

**Characteristics of guide rail G893**

- Guide rail suitable for equipping with hold-open device and opening damper
- Installation dimensions: see diagram (dimensions in brackets)

**Accessories/Individual parts**

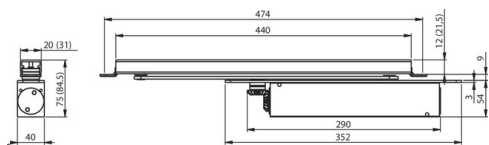
- Concealed standard guide rail G892Silver EV1 DCG892-----EV1-
- Concealed standard guide rail G892Customised finish DCG892-----XXXX
- Concealed guide rail G893Silver EV1 DCG893-----EV1-
- Concealed guide rail G893Customised finish DCG893-----XXXX
- Hold-open device A152For Guide Rails G193/G195/G893 DCA152-----
- Opening damper A153For Guide Rails G193/G195/G795/G893 DCA153-----
- Hold-open device A156For Guide Rail G892 DCA156-----
- Opening damper A157For Guide Rail G892 DCA157-----
- Mounting plate A162For Door Closer Models DC840/DC860, galvanised DCA162-----40
- Fire protection A193 A193For DC860 DCA193-----

**The advantages at a glance**

Customer segment	Advantages
Project planners	Extensive range of uses: Fire and smoke protection doors as well as standard doors Fulfills barrier-free building requirements (EA / CEN TR 15894) Comprehensive functions, standard or optional
Builders	Quick and easy installation Quickly and easily adjustable Suitable for left and right handed doors
Trade	Reduced inventory costs due to modular product range One single product suitable for a large variety of mounting positions Complementary accessories available for the whole product range
User	Easier door opening and improved accessibility due to rapidly decreasing torque Largely unaffected by temperature fluctuations because of thermodynamic valves

**Technical data**

Closing force	EN 1-5
Door width up to	1250 mm
Suitable for fire doors	Yes
Handing	Left / right handed
Max. door opening angle	ca. 120°
Closing speed	Variable between 120° - 7°
Latching speed	Variable 7° - 0°



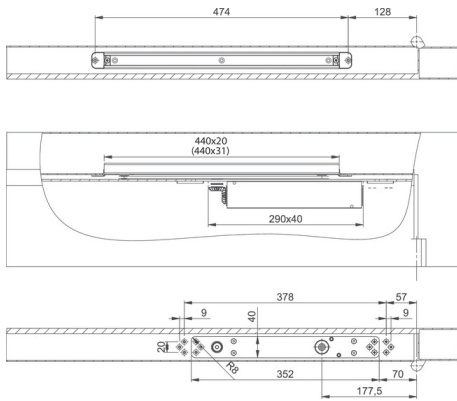
Certified in compliance with	EN 1154
CE marking for building products	Yes
Length	290 mm
Height	54 mm
Depth	40 mm
Net_weight	2,3 kg

#### Variants that can be ordered

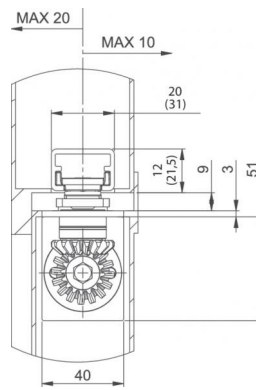
Order number	Description
DC860-----EV1-	DC860 EN size 1 – 5, silver EV1
DC8604-----EV1-	DC 860 EN size 1–5, spindle extension 4 mm, silver EV1
DC8608-----EV1-	DC 860 EN size 1–5, spindle extension 8 mm, silver EV1

view construction

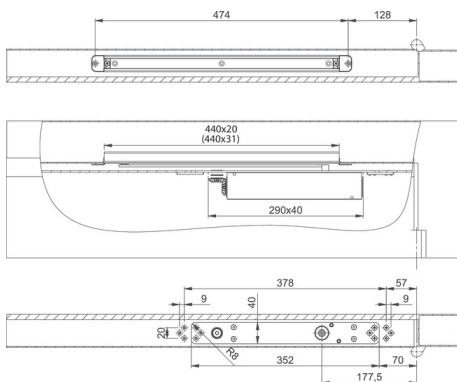
Installation dimensions



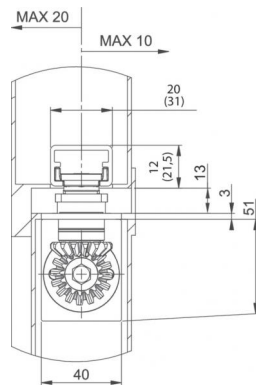
Right handed door shown in diagram  
 Left handed door is the reverse



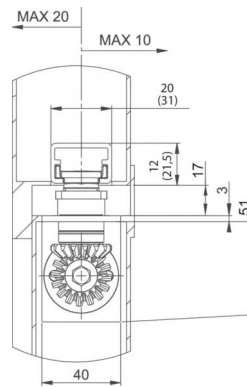
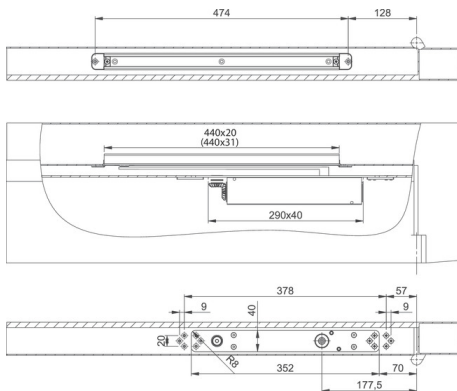
Installation dimensions with 4 mm axis extension



Right handed door shown in diagram  
 Left handed door is the reverse



## Installation dimensions with 8 mm axis extension



Right handed door shown in diagram

Left handed door is the reverse