

Concealed door closer with Cam-Motion® technology and guide rail

Concealed door closer with Cam-Motion® technology and guide rail

**Product description**

- Concealed door closer with Cam-Motion® technology and small standard concealed guide rail G892 or standard concealed guide rail G893
- Fulfills barrier-free building requirements (EA / CEN TR 15894)
- Certified in compliance with EN 1154, size 1-5
- Suitable for fire and smoke protection doors
- For single action doors up to 1250 mm wide

**Overview of Advantages**

- Can be used for left and right-handed doors
- Closing speed and latching speed adjustable from top facing regulating valves
- Built-in backcheck
- Thermodynamic valves for consistent performance
- Opening angle up to 120°
- Large range of applications
- Versions with 4 mm and 8 mm spindle extensions
- Standard colours: silver EV1

**Note**

- Additional verification of suitability required for the respective fire or smoke protection door

**Characteristics of standard guide rail G892**

- Small size guide rail, can be used with hold-open device and opening damper
- For standard applications
- Installation dimensions: see diagram

**Characteristics of guide rail G893**

- Guide rail suitable for equipping with hold-open device and opening damper
- Installation dimensions: see diagram (dimensions in brackets)

**Accessories/Individual parts**

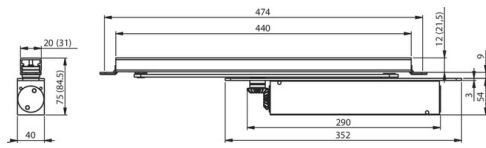
- Concealed standard guide rail G892Silver EV1 DCG892-----EV1-
- Concealed guide rail G893Silver EV1 DCG893-----EV1-
- Hold-open device A152For Guide Rails G193/G195/G893 DCA152-----
- Opening damper A153For Guide Rails G193/G195/G795/G893 DCA153-----
- Hold-open device A156For Guide Rail G892 DCA156-----
- Opening damper A157For Guide Rail G892 DCA157-----
- Mounting plate A162For Door Closer Models DC840/DC860, galvanised DCA162-----40

**The advantages at a glance**

Customer segment	Advantages
Project planners	Extensive range of uses: Fire and smoke protection doors as well as standard doors Fulfills barrier-free building requirements (EA / CEN TR 15894) Comprehensive functions, standard or optional
Builders	Quick and easy installation Quickly and easily adjustable Suitable for left and right handed doors
Trade	Reduced inventory costs due to modular product range One single product suitable for a large variety of mounting positions Complementary accessories available for the whole product range
User	Easier door opening and improved accessibility due to rapidly decreasing torque Largely unaffected by temperature fluctuations because of thermodynamic valves

**Technical data**

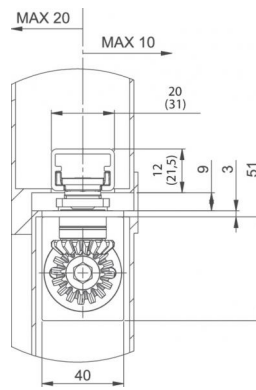
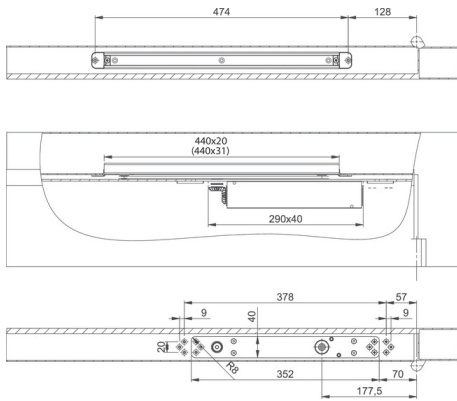
Closing force	EN 1-5
Door width up to	1250 mm
Handing	Left / right handed
Max. door opening angle	ca. 120°
Closing speed	Variable between 120° - 7°
Latching speed	Variable 7° - 0°
Certified in compliance with	EN 1154
Length	290 mm
Height	54 mm



Depth	40 mm
Suitable for fire doors	Yes
CE marking for building products	Yes
Color	Silver EV1
Net_weight	2,3 kg
<hr/>	
Article number	DC860-----EV1-
EAN-Number	6416495110997

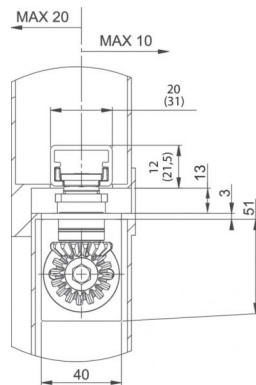
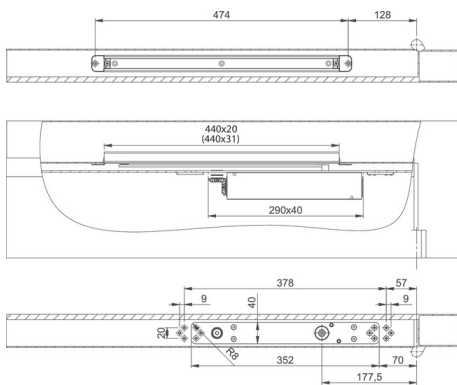
view construction

Installation dimensions

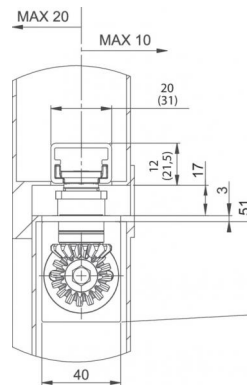
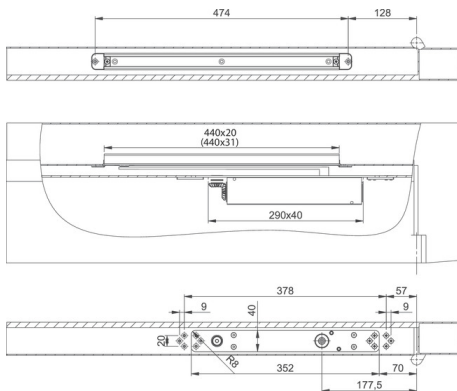


Right handed door shown in diagram  
Left handed door is the reverse

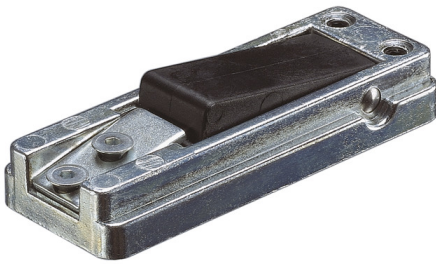
Installation dimensions with 4 mm axis extension



Right handed door shown in diagram  
Left handed door is the reverse

**Installation dimensions with 8 mm axis extension**

Right handed door shown in diagram  
Left handed door is the reverse

**Hold-open device A152**

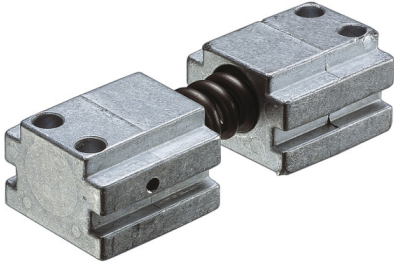
Mechanical hold-open device for doors which sometimes need to be secured in the open position.

Simple fitting into guide rail G893.

Hold-open angle max. 120°.

Not approved for use on fire and smoke protection doors

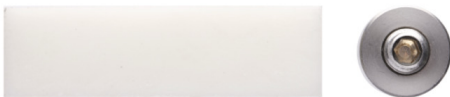
Continuously adjustable holding force

**Opening damper A153**

Helps to prevent the door and door handle from hitting a return wall.  
Simple fitting into guide rail G893, does not replace a door stop.

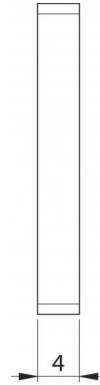
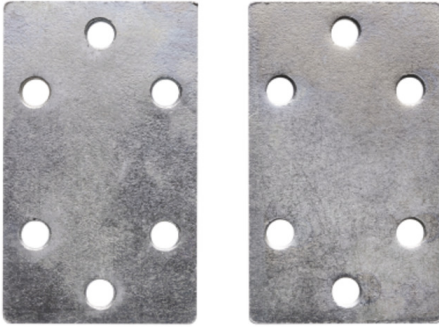
**Hold-open device A156**

Mechanical hold-open device for doors which sometimes need to be secured in the open position.  
Simple fitting to guide rail G892.  
Not approved for use on fire and smoke protection doors

**Opening damper A157**

Helps to prevent the door and door handle from hitting a return wall.  
Simple fitting into guide rail G892, does not replace a door stop.

## Fixing plate A162



Mounting plate set for metal doors.