

The smoke detector unit RZ100 supplies and controls all the ASSA ABLOY electromechanical hold-open devices

### Product description

- The smoke detector unit RZ100 supplies and controls all the ASSA ABLOY electromechanical hold-open devices with 24 VDC. In case of a fire, smoke or power failure the connected hold-open device -integrated into a guide rail or external magnets- will be de

### Overview of Advantages

- The smoke detector unit RZ100 includes a smoke chamber, control-unit and power supply in one cabinet. The unit works by an optical smoke detection with integrated measuring chamber monitoring and optical soiling indicator.
- Indicators: Green LED - operation mode; Red LED - Alarm; Yellow LED (flush) - pollution
- Equipped for the connections of further: smoke detectors; external release button
- Integrated potential-free alarm relay

### Accessories/Individual parts

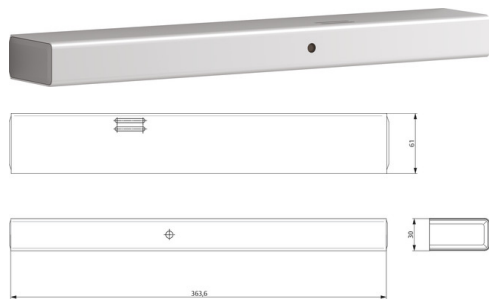
- Smoke detector RZ101ORS142 with base; white, similar to RAL9010 DCRZ101----9010
- Smoke Detector RZ101ATORS 142 AT; white, similar to RAL9010 DCRZ101AT--9010

### Technical data

Input voltage	230 V AC
Output voltage	24 V DC
Max. output current	300 mA
Class of protection	IP 20
General technical approval as Arrester system	Z-6.500-2364
Ceiling smoke detector	max. 2 pieces (Hekatron ORS142 or TDS247)
Floating switchover contact	24 V, switching capacity 1A (ohmic load)
LED display	Operating/alarm/impurification
Functional test button	Integrated
Cable inlet	Surface and flush mount
Ambient temperature	-5 °C to +50 °C
Connection terminal	Yes

### Variants that can be ordered

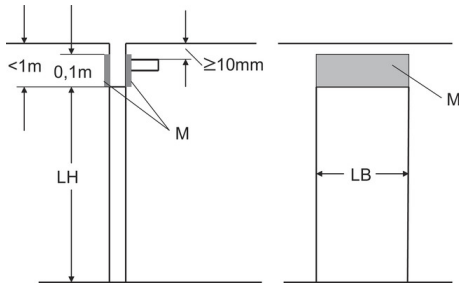
Order number	Description
DCRZ100---DEV1-	Silver EV1
DCRZ100---D9016	White, similar to RAL9016
DCRZ100---D35--	Stainless steel design
DCRZ100---DXXXX	Customised finish



The smoke detector unit RZ100 supplies and controls all the ASSA ABLOY electromechanical hold-open devices

## view construction

## Number of detectors

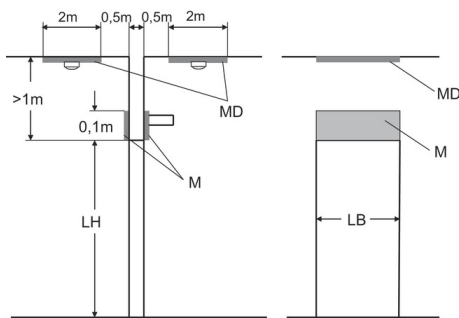


M = mounting area RZ100

LH = headroom

LH = clearance width

## Number of detectors



M = mounting area RZ100

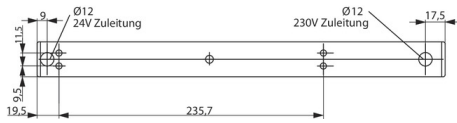
MD = mounting area cover dedector

LH = headroom

LH = clearance width

The smoke detector unit RZ100 supplies and controls all the ASSA ABLOY electromechanical hold-open devices

## Operating instructions



## Wiring diagram

