

RZ100

Product description

- The smoke detector unit RZ100 supplies and controls all the ASSA ABLOY electromechanical hold-open devices with 24 VDC. In case of a fire, smoke or power failure the connected hold-open device -integrated into a guide rail or external magnets- will be de

Overview of Advantages

- The smoke detector unit RZ100 includes a smoke chamber, control-unit and power supply in one cabinet. The unit works by an optical smoke detection with integrated measuring chamber monitoring and optical soiling indicator.
- Indicators: Green LED - operation mode; Red LED - Alarm; Yellow LED (flush) - pollution
- Equipped for the connections of further: smoke detectors; external release button
- Integrated potential-free alarm relay

Accessories/Individual parts

- Ceiling smoke detector RZ101ORS142 with base, white DCRZ101----9010
- Socket ,surface-mounted DCRZ102for ORS142; white DCRZ102----9010

Technical data

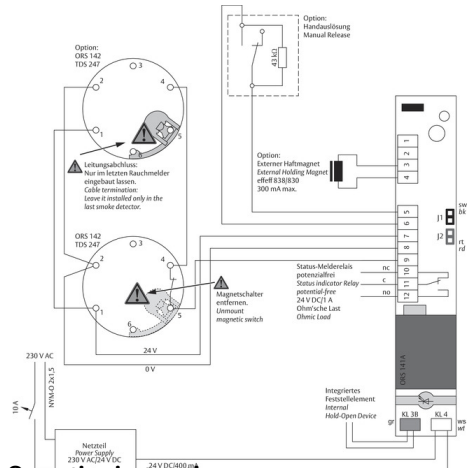
Output voltage	24 V DC
Input voltage	230 V AC
Max. output current	300 mA
Class of protection	IP 20
General technical approval as Arrester system	Z-6.500-2364
Ceiling smoke detector	max. 2 pieces (Hekatron ORS142 or TDS247)
Floating switchover contact	24 V, switching capacity 1A (ohmic load)
LED display	Operating/alarm/impurification
Functional test button	Integrated
Cable inlet	Surface and flush mount
Ambient temperature	-5 °C to +50 °C
Connection terminal	Yes
Color	White, similar to RAL9016

Article number	DCRZ100---D9016
EAN-Number	4042203690417

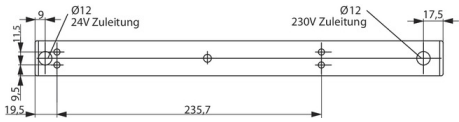


view construction

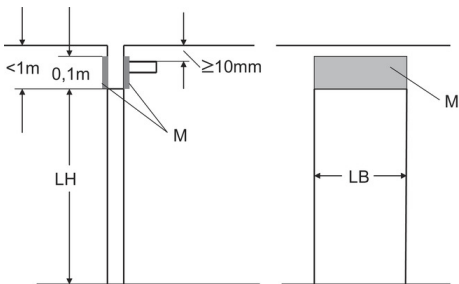
Wiring diagram



Operating instructions



Number of detectors

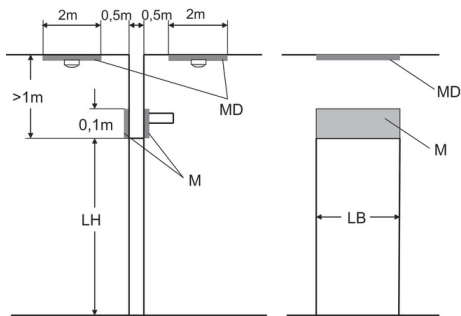


M = mounting area RZ100

LH = headroom

LH = clearance width

Number of detectors



M = mounting area RZ100

MD = mounting area cover dedector

LH = headroom

LH = clearance width