

Rack and pinion closer with link arm L190

Rack and pinion closer with link arm L190

Product description

- Rack and pinion closer with link arm L190
- Two door closer are interlinked for extra wide and heavy doors
- Double closing torque of DC300, EN size >7
- For single action doors up to 1800 mm wide

Overview of Advantages

- Tandem mounting plate A121 generally required
- Can be used for left and right-handed doors
- Can only be used with a link arm
- Axis height adjustable up to 14 mm
- Closing speed, latching speed and backcheck adjustable via front facing regulating valves
- Thermodynamic valves for consistent performance
- Variable adjustable closing force
- Effective backcheck and latching speed range adjustable
- Large range of applications
- Standard colours: silver EV1

Note

- Tandem consists of (please order accordingly):
- 2x DC300, EN size 3-6, silver EV1
- 1x mounting plate A121, silver EV1
- 1x link arm L190, silver EV1

Accessories/Individual parts

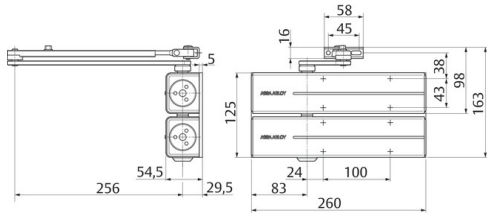
- Mounting plate A121 For Door Closer Model DC300 Tandem, silver EV1 DCA121-----EV1-
- Link arm L190 Stainless steel DCL190-----EV1-

The advantages at a glance

Customer segment	Advantages
Project planners	Extensive range of uses, also for extra large and heavy doors
Builders	One drilling template overall Standard door closers DC300 can be used with tandem mounting plates Quick and easy installation Quickly and easily adjustable Suitable for left and right handed doors, in both door and frame mounted applications Easily retrofitted with minimal rework
Trade	Reduced inventory costs due to modular product range
User	No reworking of door element for upgrade to tandem

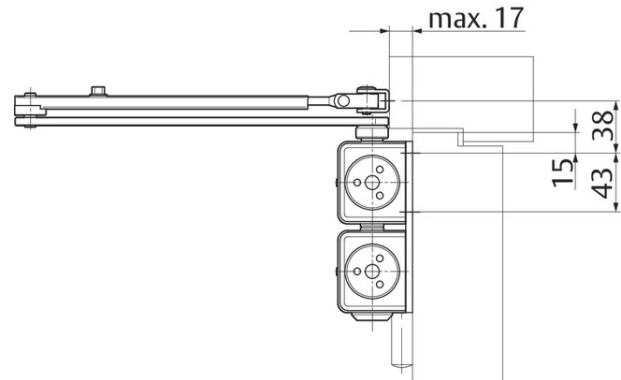
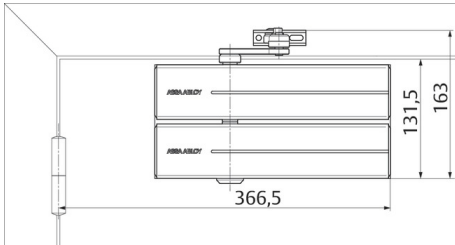
Technical data

Closing force	EN >7 (2 x DC300)
Door width up to	1.800 mm
Suitable for fire doors	No
Handing	Left / right handed
Closing speed	Variable between 180°-15°
Latching speed	Variable between 15°-0°
Backcheck effect	Variable above 75°
Certified in compliance with	EN 1154 (DC300)
CE marking for building products	Yes
Length	260 mm
Height	125 mm
Depth	55 mm



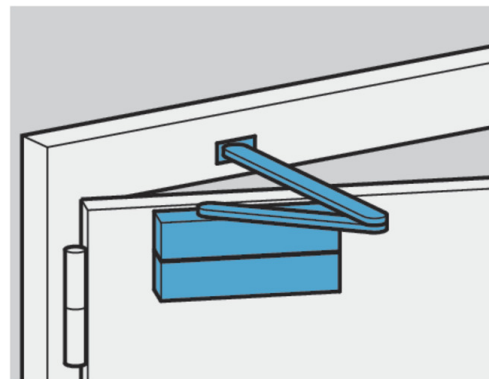
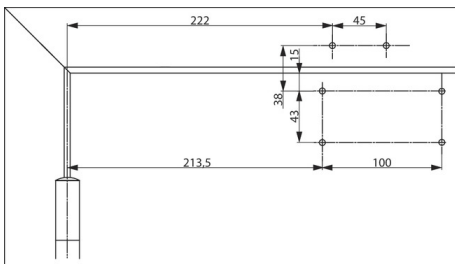
view construction

Required space on doors



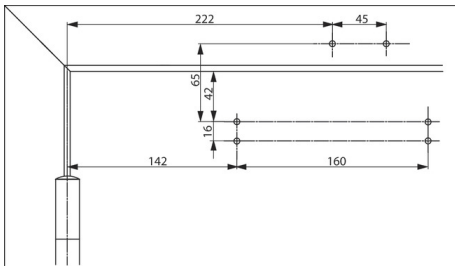
Left handed shown in diagram
Right handed is the reverse

Installation dimensions for direct mounting



Left handed shown in diagram
Right handed is the reverse

Installation dimensions

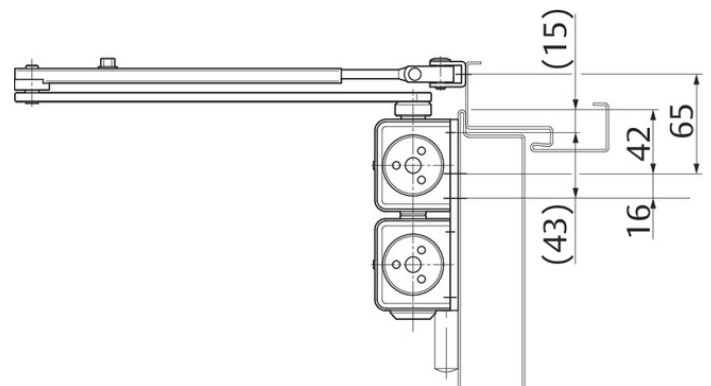
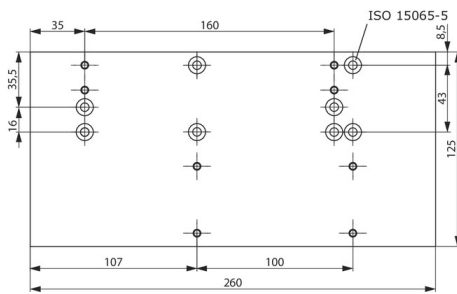


In compliance with EN 1154, Supplement 1, or for doors where direct mounting is not possible.

Left handed shown in diagram

Right handed is the reverse

Mounting plate A121



For mounting with drilling template acc. to EN 1154 Supplement 1 (fire and smoke protection doors) and for direct mounting.